

## NON-ENAMELED BUFFER TANKS WITH TWO HEAT EXCHANGER (BCS2)



Product type: indirect

Installation: floor standing

Capacity: 200, 300, 500, 750, 1000, 1500, 2000L.

Water tank: non-enameled

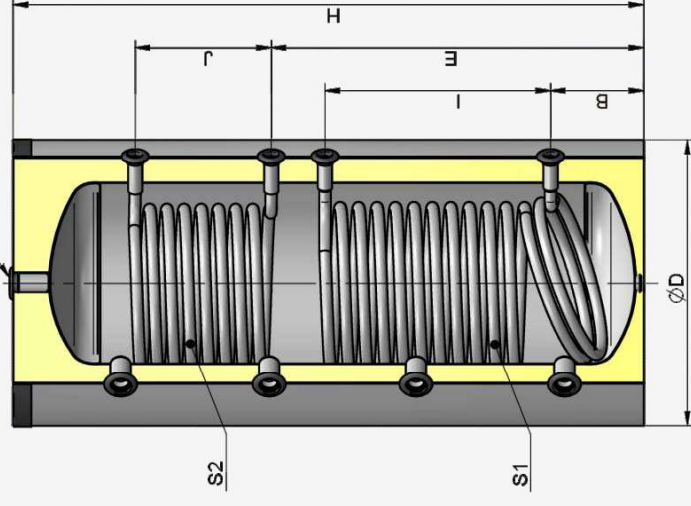
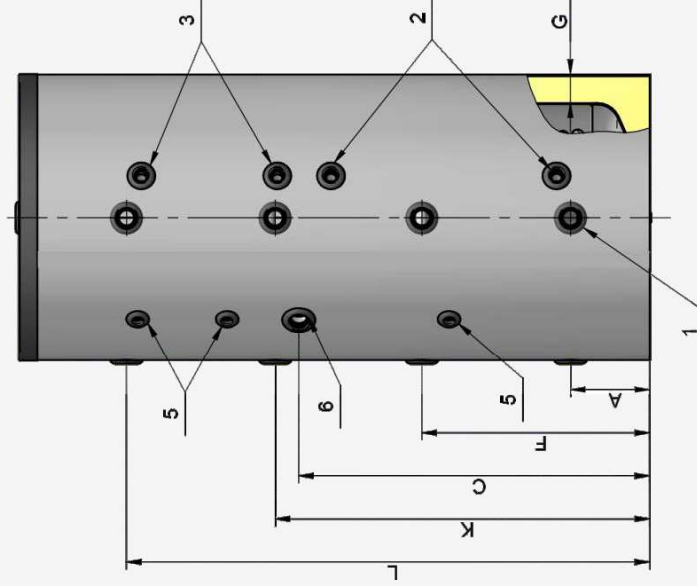
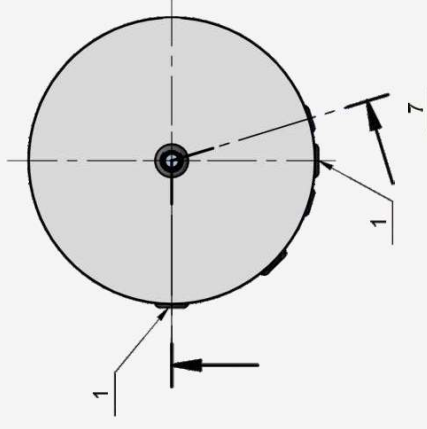
The model with two heat exchanger utilizes two or three different heat sources simultaneously transferring energy to the buffer tank /e.g. a solar system, a heat pump and/or a boiler/. The numerous outlets of the tanks allow flexible options for multi-purpose combination of the heat sources in accordance with the customers' needs.

The buffer tanks can be simultaneously connected to various energy consumers (floor heating system, radiators, fan coil convector units, etc).



## DESCRIPTION

- Minimal heat losses.
  - Thick CFC-free insulation from environmentally friendly high density polyurethane foam formula for models from 200 to 500 liters.
  - Thick EPS insulation of expanded polystyrene with high density graphite microparticles for models from 750 to 2000 liters
- Two heat exchanger with large heat exchanging surface for connection with two additional heat sources;
- Zippered lining of wear resistant synthetic fabric in INOX color;
- Connections, convenient for installation and maintenance;
- Thermostat socket;
- Circulation socket;
- Venting socket;
- Large diameter flange for easy access to the water tank;
- Not suitable for domestic hot water;



## NON-ENAMELED BUFFER TANKS WITH TWO HEAT EXCHANGER (BCS2)



Parameters		BCS2 200K60	BCS2 300K	BCS2 500K80	BCS2 750F	BCS2 1000F	BCS2 1500F	BCS2 2000F
Model	...	200	300	500	750	1000	1500	2000
Volume group	...	B	B	B	-	-	-	-
Energy efficiency class	...	49	52	76	127	137	161	186
Standing loss	W	0,3	0,3	0,3	0,3	0,3	0,3	0,3
Rated pressure	Mpa	184	258	465	720	920	1455	1978
Volume	L	75	85	80	80	80	100	100
Insulation thickness	mm	72	96	144	195	230	342	414
Gross weight	kg							
<b>Heat exchangers</b>								
Surface area S1	m <sup>2</sup>	0,90	1,12	1,85	2,03	3,04	3,04	4,25
Volume S1	L	4,33	5,44	12,15	13,34	19,95	19,95	27,94
Pressure loss S1	mbar	120	50	35	50	70	70	80
Surface area S2	m <sup>2</sup>	0,38	0,86	1,15	1,22	2,03	2,03	2,73
Volume S2	L	1,82	4,18	7,53	7,99	13,34	13,34	17,97
Pressure loss S2	mbar	15	55	55	20	40	30	50
<b>Connections</b>								
1: Inlet / Outlet		G1/2 F	G1/2 F	G2 F	G2 F	G2 F	G2 F	G2 F
2: S1		G3/4 F	G3/4 F	G1 F	G1 F	G1 F	G1 F	G1 F
3: S2		G3/4 F	G3/4 F	G1 F	G1 F	G1 F	G1 F	G1 F
5: Socket for thermostat		G1/2 F	G1/2 F	G1/2 F	G1/2 F	G1/2 F	G1/2 F	G1/2 F
6: Additional socket		G1/2 F	G1/2 F	G1/2 F	G1/2 F	G1/2 F	G1/2 F	G1/2 F
7: Inlet / Outlet		G3/4 F	G3/4 F	G1/4 F	G1/4 F	G1/4 F	G2 F	G2 F
<b>Dimensions</b>								
A	mm	200	205	220	330	330	385	395
B	mm	260	235	260	360	360	425	435
C	mm	855	835	960	890	1045	1220	1230
D	mm	600	670	800	1010	1010	1250	1400
E	mm	1000	885	1040	940	1100	1245	1255
F	mm	515	575	635	645	755	845	855
G	mm	75	85	80	80	80	100	100
H	mm	1430	1605	1765	1665	2000	2210	2255
I	mm	550	530	630	470	630	730	730
J	mm	230	400	380	290	470	470	470
K	mm	855	945	1045	960	1185	1305	1315
L	mm	1180	1315	1460	1270	1610	1765	1775