

NON-ENAMELED BUFFER TANKS WITH ONE HEAT EXCHANGER (BCS)



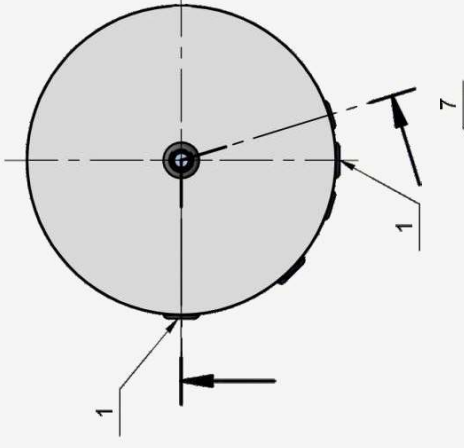
Product type: indirect

Installation: floor standing

Capacity: 200, 300, 500, 750, 1000, 1500, 2000l.

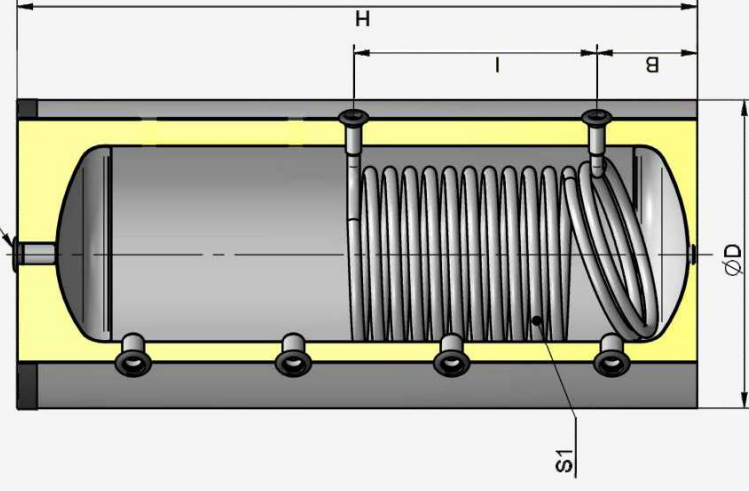
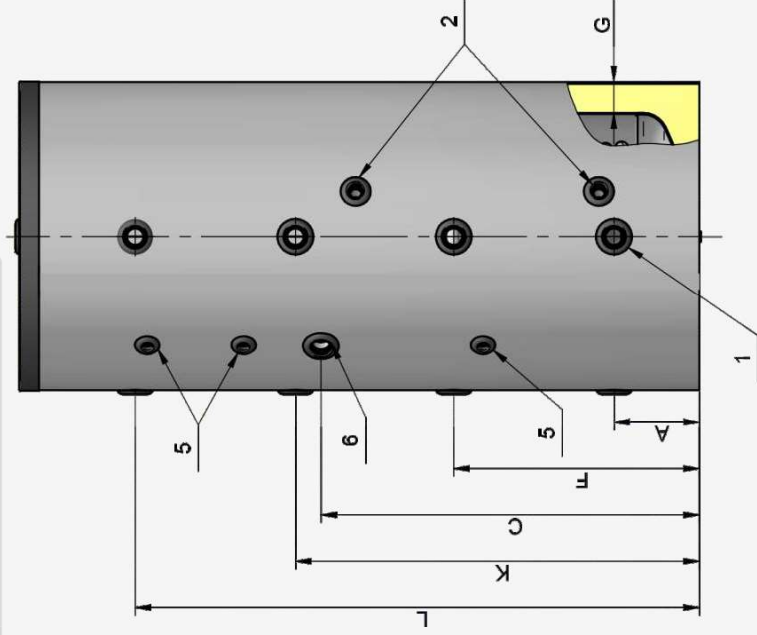
Water tank: non-enameled

The model with one heat exchanger utilizes two different heat sources simultaneously transferring energy to the buffer tank /e.g. a solar system and a boiler/. This type of buffer tanks optimises the heating system performance and provides equal loading of the energy sources.



DESCRIPTION

- Minimal heat losses.
- Thick CFC-free insulation from environmentally friendly high density polyurethane foam formula for models from 200 to 500 liters.
- Thick EPS insulation of expanded polystyrene with high density graphite microparticles for models from 750 to 2000 liters
- One lower heat exchanger with large heat exchanging surface operating in accumulation mode;
- Zipped lining of wear resistant synthetic fabric in INOX color;
- Connections, convenient for installation and maintenance;
- Thermostat socket;
- Circulation socket;
- Venting socket;
- Large diameter flange for easy access to the water tank;
- Not suitable for domestic hot water;



NON-ENAMELED BUFFER TANKS WITH ONE HEAT EXCHANGER (BCS)

 SPECIFICATIONS

Parameters	BCS 200K60	BCS 300K	BCS 500K80	BCS 750F	BCS 1000F	BCS 1500F	BCS 2000F
Model
Volume group	200	300	500	750	1000	1500	2000
Energy efficiency class	B	B	B	-	-	-	-
Standing loss	48	50	71	123	135	158	182
Rated pressure	0,3	0,3	0,3	0,3	0,3	0,3	0,3
Volume	186	264	476	738	936	1471	2000
Insulation thickness	75	85	80	80	80	100	100
Gross weight	65	83	129	183	197	318	377
Heat exchanger							
Surface area S1	0,90	1,12	1,85	2,03	3,04	3,04	4,25
Volume S1	4,33	5,44	12,15	13,34	19,95	19,95	27,94
Pressure loss S1	120	50	35	50	70	70	80
Connections							
1: Inlet / Outlet	G1 1/2 F	G1 1/2 F	G2 F	G2 F	G2 F	G2 F	G2 F
2: S1	G3/4 F	G3/4 F	G1 F	G1 F	G1 F	G1 F	G1 F
5: Socket for thermostat	G1/2 F	G1/2 F	G1/2 F	G1/2 F	G1/2 F	G1/2 F	G1/2 F
6: Additional socket	G1 1/2 F	G1 1/2 F	G1 1/2 F	G1 1/2 F	G1 1/2 F	G1 1/2 F	G1 1/2 F
7: Inlet / Outlet	G3/4 F	G3/4 F	G1 1/4 F	G1 1/4 F	G1 1/4 F	G2 F	G2 F
Dimensions							
A	200	205	220	330	330	385	395
B	260	235	260	360	360	425	435
C	855	835	960	890	1045	1220	1230
D	600	670	800	1010	1010	1250	1400
F	515	575	635	645	755	845	855
G	75	85	80	80	80	100	100
H	1430	1605	1765	1665	2000	2210	2255
I	550	530	630	470	630	730	730
K	855	945	1045	960	1185	1305	1315
L	1180	1315	1460	1270	1610	1765	1775

