



Product type: indirect

Installation: floor standing

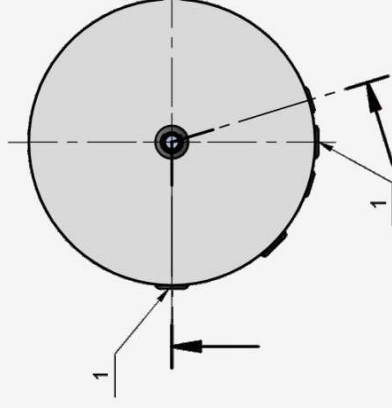
Capacity: 300, 500, 750, 1000, 1500, 2000L.

Water tank: non-enameled

The model allows two alternative heat sources to give out energy to the buffer tank /for example solar system, boiler, heat pump, etc./.

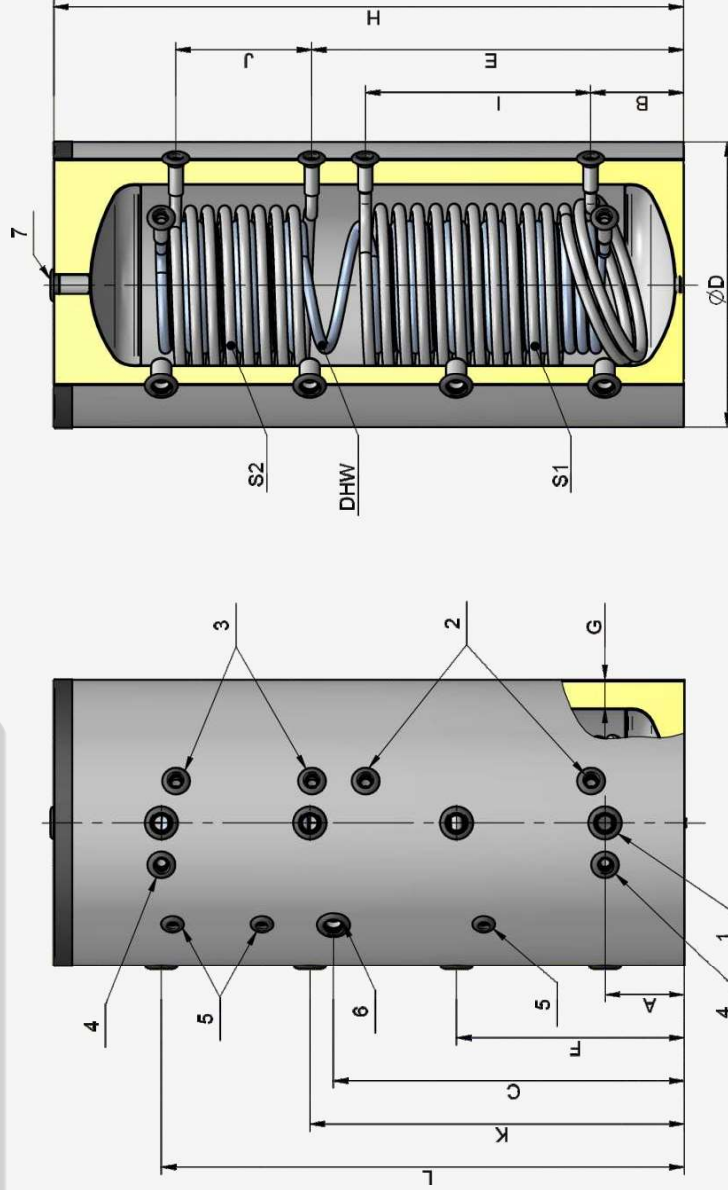
The instantaneous water heating mode provides DHW for household needs.

There is a possibility for several consumers to be connected to the buffer tank.



#### DESCRIPTION

- Minimal heat losses:
  - Thick CFC-free insulation from environmentally friendly high density polyurethane foam formula for models from 300 to 500 liters.
  - Thick EPS insulation of expanded polystyrene with high density graphite microparticles for models from 750 to 2000 liters.
- Two large surface heat exchangers for utilizing two additional heat sources;
- AISI 316L stainless steel heat exchanger for heating of potable water in an instantaneous mode;
- Zipped lining of wear resistant synthetic fabric in INOX color;
- Connections, convenient for installation and maintenance;
- Thermostat socket;
- Circulation socket;
- Venting socket;



# NON-ENAMELED BUFFER TANKS WITH TWO BLACK AND ONE STAINLESS STEEL HEAT EXCHANGER (BCWS2)

## SPECIFICATIONS

Parameters	...	BCWS2 300K	BCWS2 500K80	BCWS2 750F	BCWS2 1000F	BCWS2 1500F	BCWS2 2000F
Model	...	300	500	750	1000	1500	2000
Volume group	...	B	B	-	-	-	-
Energy efficiency class	W	53	71	129	141	165	186
Standing loss	MPa	0,3	0,3	0,3	0,3	0,3	0,3
Rated pressure	mm	85	80	80	80	100	100
Insulation thickness	kg	103	161	248	270	360	436
Gross weight							
<b>Heat exchanger</b>							
Surface area S1	m <sup>2</sup>	1,12	1,85	2,03	3,04	3,04	425
Volume S1	L	5,44	12,15	13,34	19,95	19,95	27,94
Pressure loss S1	mbar	50	35	50	70	70	80
Surface area S2	m <sup>2</sup>	0,86	1,15	1,22	2,03	2,03	2,73
Volume S2	L	4,18	7,53	7,99	13,34	13,34	17,97
Pressure loss S2	mbar	55	55	20	40	30	50
Surface area heat exchanger DHW	m <sup>2</sup>	3,03	4,65	5,16	7,50	9,00	11,24
Volume heat exchanger DHW	L	16,64	25,72	28,52	41,61	49,93	62,41
<b>Connections</b>							
1: Inlet / Outlet		G1 1/2 F	G2 F	G2 F	G2 F	G2 F	G2 F
2: S1		G3/4 F	G1 F	G1 F	G1 F	G1 F	G1 F
3: S2		G3/4 F	G1 F	G1 F	G1 F	G1 F	G1 F
4: Heat-exchanger for DHW		G1 F	G1 F	G1 F	G1 F	G1 F	G1 F
5: Socket for thermostat		G1/2 F	G1/2 F	G1/2 F	G1/2 F	G1/2 F	G1/2 F
6: Additional socket		G1 1/2 F	G1 1/2 F	G1 1/2 F	G1 1/2 F	G1 1/2 F	G1 1/2 F
7: Inlet / Outlet		G3/4 F	G1 1/4 F	G1 1/4 F	G1 1/4 F	G2 F	G2 F
<b>Dimensions</b>							
A	mm	205	220	330	330	385	395
B	mm	235	260	360	360	425	435
C	mm	835	960	890	1045	1220	1230
D	mm	670	800	1010	1010	1250	1400
E	mm	885	1040	940	1100	1245	1255
F	mm	575	635	645	755	845	855
G	mm	85	80	80	80	100	100
H	mm	1595	1765	1665	2000	2210	2255
I	mm	530	630	470	630	730	730
J	mm	400	380	290	470	470	470
K	mm	945	1045	960	1185	1305	1315
L	mm	1315	1460	1270	1610	1765	1775

