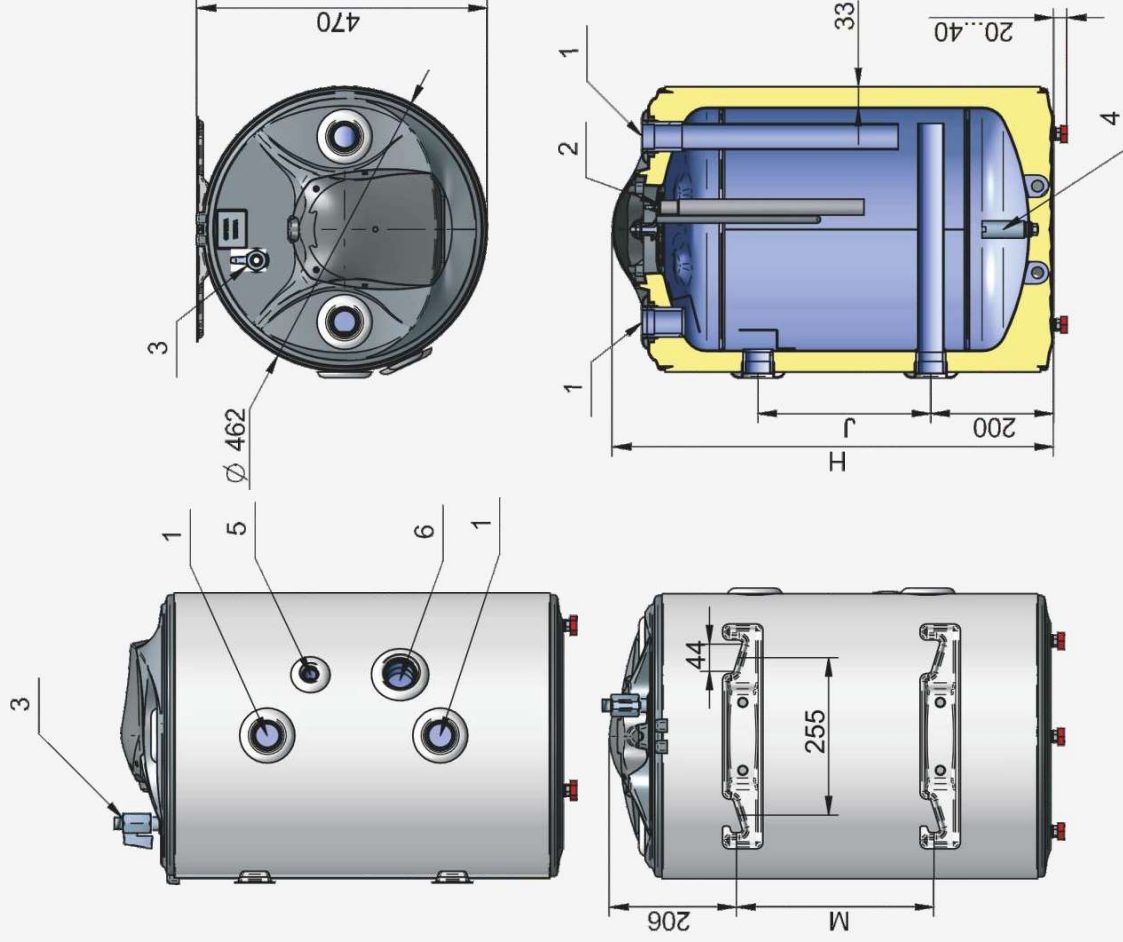


## ENAMELED BUFFER TANKS FOR HEAT PUMP SYSTEMS (BCE)



Type of product: indirect  
 Mounting: wall  
 (vertical and horizontal),  
 free-standing  
 Capacity: 60, 80, 120 L  
 Type of tank: enameled

These models of ELDOM Green Line buffertanks are the perfect addition to heat pump systems and ensure their optimum performance in changing operation modes. Their structure allows different mounting possibilities according to the wiring requirements – both wall mounting and floor mounting.



### DESCRIPTION

- Minimum heat loss: thick CFC free insulation made of environmentally friendly high-density polyurethane foam.
- SHIELD technology - a unique formula for wear-resistant enamel coating with increased zirconium for durability and long life of the water tank;
- Cathode system: two magnesium anodes for optimal corrosion protection;
- Socket for additional heating element;
- Recirculation socket;
- Socket for thermo sensor;
- Air-vent ball valve;
- Domestic hot water;
- Outlets for easy installation and maintenance.

 **SPECIFICATIONS**

Parameters	...	BCE 60(R)	BCE 80(R)	BCE 120(R)
Model	L	60	80	120
Volume group	...	C	C	C
Energy efficiency class	W	56	60	68
Standing loss	Mpa	0,6	0,6	0,6
Rated pressure	L	64	75	116
Volume	mm	33	33	33
Insulation thickness	kg	29	31,5	42
Gross weight				
<b>Connections</b>				
1: Inlet /Outlet		G1 1/4 F	G1 1/4 F	G1 1/4 F
2: Flange (with anode protector)		Yes	Yes	Yes
3: Ball valve		G1/2	G1/2	G1/2
4: Additional anode protector		Yes	Yes	Yes
5: Socket for thermostat		G1/2 F	G1/2 F	G1/2 F
6: Additional socket		G1 1/2 F	G1 1/2 F	G1 1/2 F
<b>Dimensions</b>				
H	mm	715	810	1150
J	mm	280	375	715
M	mm	320	415	755

Description of markings:

"BCE" - enamelled water tank.

"R" - The flange of the buffer tanks is on the right when the device is mounted in horizontal BCE xxxR position.