

LK 525 MultiZone 3W

- Turning slide to reduce risk of stalling
- Minimal internal leakage
- Quick and easy assembly with clip system



Technical Data

Working temperature:	Min. 5 °C/Max. 80 °C (90 °C briefly) Art.no. 066399, 066418: Min. 5 °C/Max. 70 °C (80 °C briefly) Cooling/Heating (inkl. adapter): Min. -15 °C/Max. 120 °C (160 °C briefly)
Ambient temperature:	Min. 1 °C/Max. 60 °C
Max. working pressure:	1.0 MPa (10 bar)
Max. differential pressure:	100 kPa (1 bar)
Leakage:	< 0.1% of Kvs at 100 kPa
Angle of rotation:	60°/360°
Media 1:	Water - Glycol mixture max. 50% Ethanol mixture max. 30%
Thread standard:	Rp - female thread, G - male thread, ISO 228/1
Actuator:	7 VA, 230 VAC, 50 Hz 7 VA, 24 VAC, 50 Hz
Operation time:	8 seconds (60°)
Electrical connection:	Fixed wire alternatively Molex® or Molex®-compatible connector, 6-circuit
Signal connector:	Single pole SPST
Protection type:	IP 40 (Molex®) / IP 44 (Cable)
Material, valve body:	Brass EN 12165 CW617N
Material, external cover:	Brass EN 12164 CW614N
Material, slide/spindle:	PPS Composite
Other data:	Leakage Solar: < 0.5% of Kvs at 100 kPa



Cable specification:	Dimension 3 x 0.75 mm ²
Wire colors:	Blue, brown, black
External insulation:	PVC
Approvals:	CE

LK 525 MultiZone 3W is a motorized 3-way zone valve for On/Off control. The zone valve is designed with a turning slide which allows it to withstand a larger pressure difference and reduces the risk of it stalling after a long intermission. This makes it especially suited for heat pump applications where there can be long intermissions between the changes to the direction of the flow during the warm season. On the upper surface of the actuator is an indicator that shows which port is open.

Installing the 066177 plastic adapter between the valve unit and the motor protects the motor against condensation, icing and high temperatures.

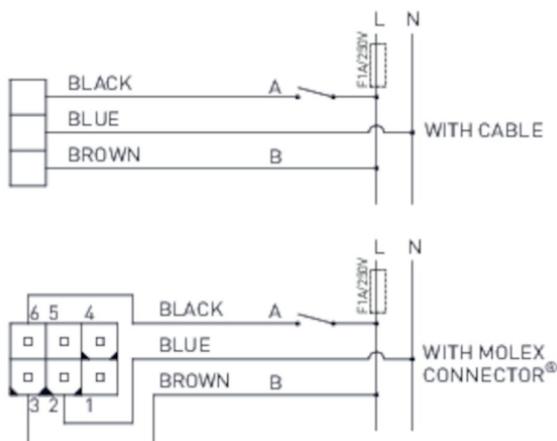
The zone valve must not be installed with the motor underneath the valve unit.

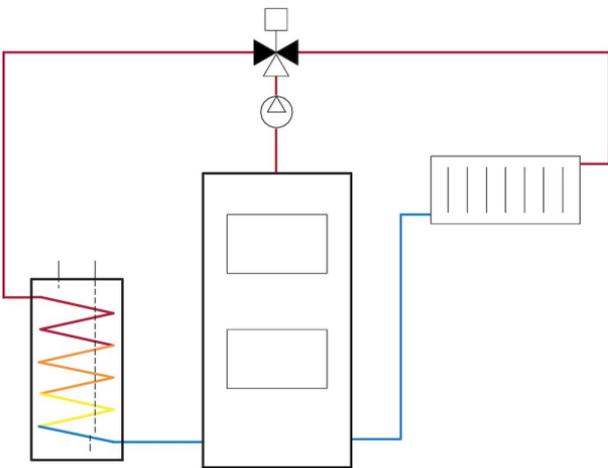
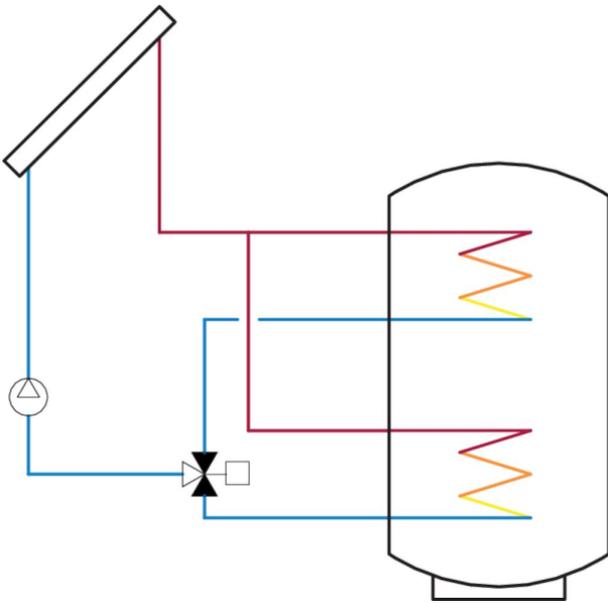
In case of a power failure, the valve cone stays in its current position. When the power is switched off, the valve can be manually set to the centre position, which distributes the flow between the heating and tap water circuits. Remove the motor and turn the spindle about 30° or turn until hot water flows through both valve ports. When the power is restored, turn the valve back to its original position and reinstall the motor.

Please note that the motor can be installed in only one position.

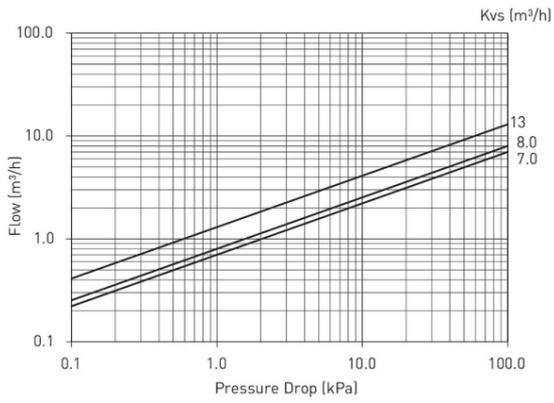
The valve requires no maintenance but the installation should be checked regularly.

Wiring Diagram

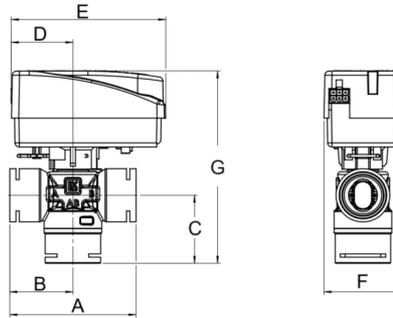




Capacity Diagram

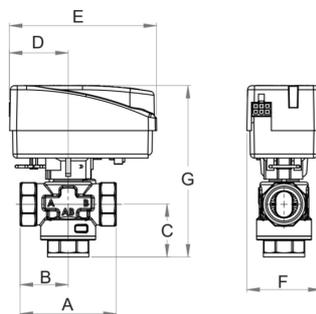


LK 525 3W - Quick Connection



Article	Dim.	Kvs m³/h	A mm	B mm	C mm	D mm	E mm	F mm	G mm	Weight (kg)
182306	Ø 22	8,0	84	42	46	43	107	54	135	0.3
182307	Ø 28	8,0	88	44	48	43	107	54	135	0.5

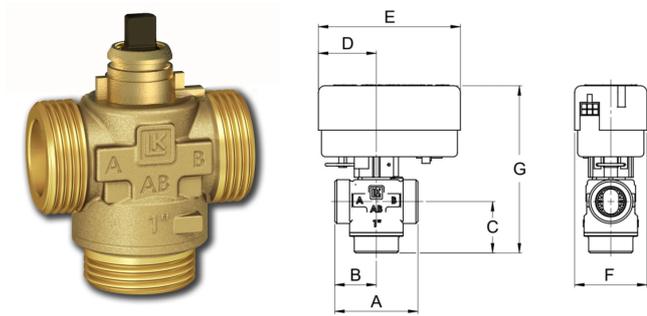
LK 525 3W - Female thread



Article	Dim.	Kvs m³/h	A mm	B mm	C mm	D mm	E mm	F mm	G mm	Weight (kg)
066420	F ¾"	7,0	70	35	39	43	107	54	126	0.3
066421	F 1"	8,0	74	37	40	43	107	54	127	0.3
066422	F 1¼"	8,0	84	42	45	43	107	54	132	0.6

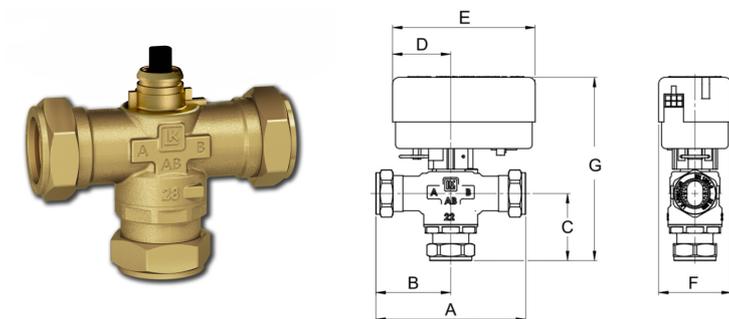


LK 525 3W - Male thread



Article	Dim.	Kvs m ³ /h	A mm	B mm	C mm	D mm	E mm	F mm	G mm	Weight (kg)
066000	M ¾"	7,0	70	35	39	43	107	54	127	0.3
066106	M 1"	8,0	62	31	39	43	107	54	127	0.3
066107	M 1¼"	8,0	74	37	40	43	107	54	128	0.6
066418	M 1¼"	13,0	80	40	40	43	107	54	128	0.7

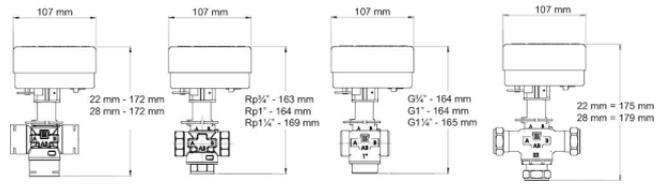
LK 525 3W - Compression fitting



Article	Dim.	Kvs m ³ /h	A mm	B mm	C mm	D mm	E mm	F mm	G mm	Weight (kg)
066108	22 mm	8,0	110	55	50	43	107	54	138	0.4
066109	28 mm	8,0	110	55	54	43	107	54	142	0.6
066399	28 mm	13,0	100	50	52	43	107	54	140	0.7

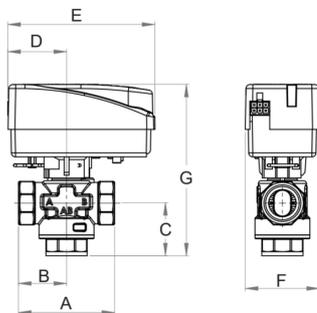


LK 525 3W - Actuator and Adaptor



Article	Note	Weight (kg)	Torque
066177	Adapter Polar / Solar	0.03	
066060	EMV 110-M SPST Actuator 230 VAC with Molex®	0.3	5 Nm
066061	EMV 110-K SPST Actuator 230 VAC with cable 1 m	0.3	5 Nm
066062	EMV 110-K SPST Actuator 230 VAC with cable 3 m	0.4	5 Nm
066063	EMV 110-M SPST Actuator 24 VAC with Molex®	0.3	5 Nm
066083	Cable-M 3x0.75 L=1 m with Molex®	0.1	
50800453	Cable-M 3x0.75 L=1.7 m with Molex®	0.1	
066086	Cable-M 3x0.75 L=1.7 m with Molex®	0.1	

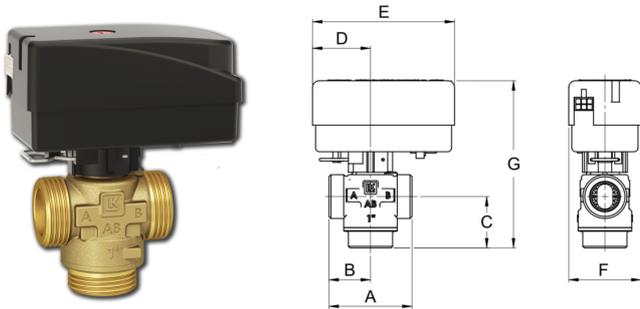
LK 525 3W SET - incl. Motor 230VAC 1m Cable - Internal thread



Article	Dim.	Kvs m ³ /h	Torque	A mm	B mm	C mm	D mm	E mm	F mm	Weight (kg)
066433	F $\frac{3}{4}$ "	7,0	5 Nm	70	35	39	43	107	54	0.6
066434	F 1"	8,0	5 Nm	74	37	40	43	107	54	0.6
066435	F 1 $\frac{1}{4}$ "	8,0	5 Nm	84	42	45	43	107	54	0.9

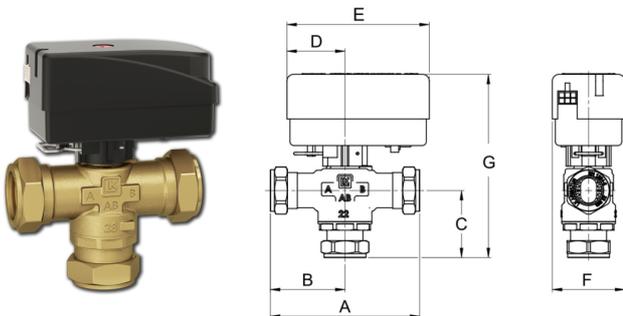


LK 525 3W SET - incl. Motor 230VAC 1m Cable - Male thread



Article	Dim.	Kvs m ³ /h	Torque	A mm	B mm	C mm	D mm	E mm	F mm	Weight (kg)
066426	M ¾"	7,0	5 Nm	70	35	39	43	107	54	0.6
066427	M 1"	8,0	5 Nm	62	31	39	43	107	54	0.6
066428	M 1¼"	8,0	5 Nm	74	37	40	43	107	54	0.9
066429	M 1½"	13,0	5 Nm	88	44	48	43	107	54	1.1

LK 525 3W SET - incl. Motor 230VAC 1m Cable - Compression fitting



Article	Dim.	Kvs m ³ /h	Torque	A mm	B mm	C mm	D mm	E mm	F mm	Weight (kg)
066430	22 mm	8,0	5 Nm	110	55	50	43	107	54	0.7
066431	28 mm	8,0	5 Nm	110	55	54	43	107	54	0.9
066432	28 mm	13,0	5 Nm	114	57	59	43	107	54	1.1

Accessories & Spare parts

Article no.	Article	Position
187202	Insulation	1

