

ENAMELED BUFFER TANKS FOR HEAT PUMP SYSTEMS (BCE)



Product type: indirect

Installation: wall, vertical

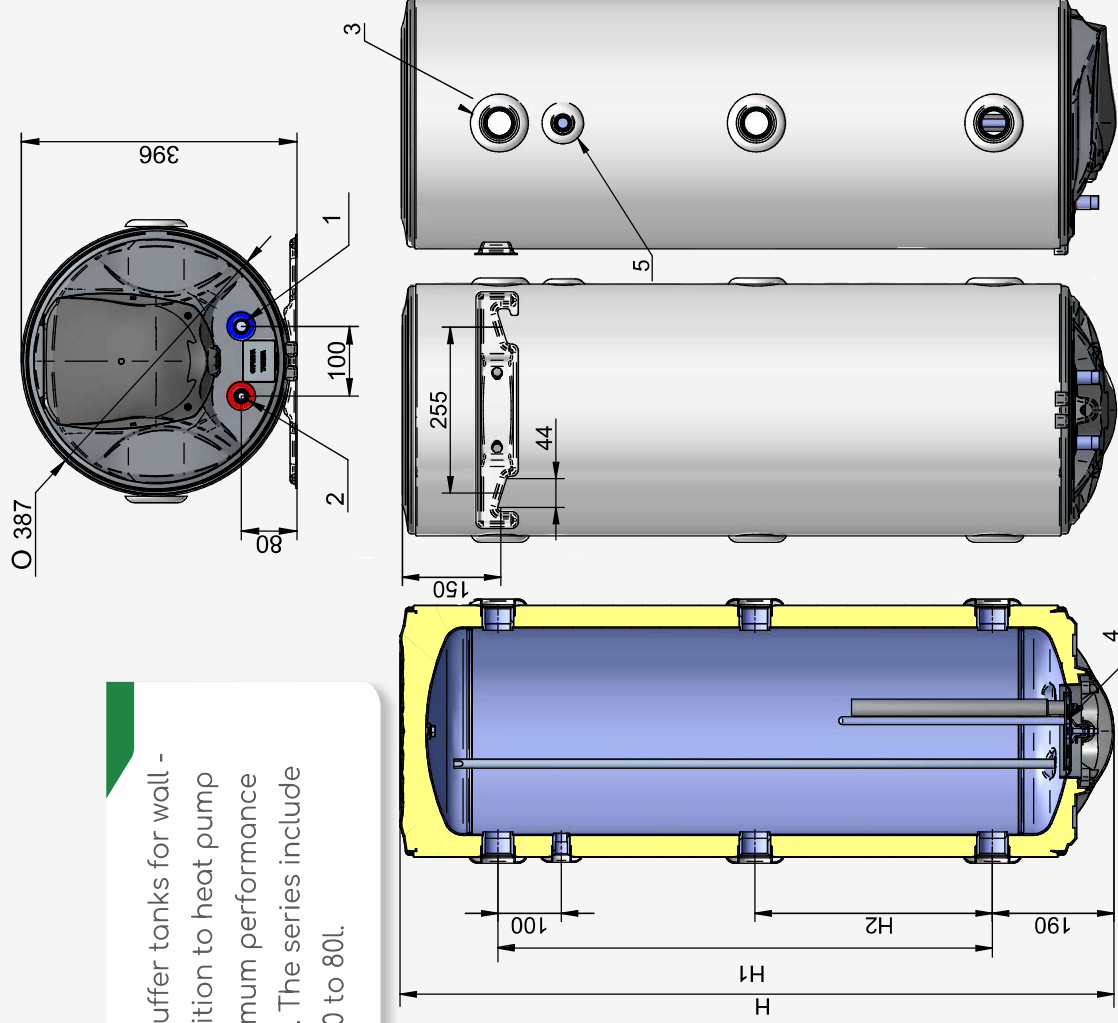
Capacity: 30, 50, 80L


Water tank: enameled

The new ELDOM Green Line buffer tanks for wall-mounting are the perfect addition to heat pump systems and ensure their optimum performance in changing operation modes. The series include enameled buffer tanks from 30 to 80L.

DESCRIPTION

- Minimum heat loss: thick CFC free insulation;
- SHIELD technology - a unique formula for wear-resistant enamel coating with increased zirconium for durability and long life of the water tank;
- Cathode system: magnesium anode for optimal corrosion protection;
- Three inlets and three outlets at 80L model for connection with one alternative energy source and two consumers ;
- Two outputs and two inlets at 30 and 50L models;
- Effective operation in two modes - Heating and Cooling;
- Easy maintenance and service;
- Venting and draining sockets located at the bottom of the buffer;
- Two sockets for thermo sensors;
- Slim design;



 SPECIFICATIONS

Parameters				
Model	...	BCE03039	BCE05039	BCE08039
Volume group	L	30	50	80
Energy efficiency class	...	C	C	C
Standing loss	W	46	53	61
Rated pressure	Mpa	0,6	0,6	0,6
Volume	L	29	45	75
Working temperature min/max	°C	5/95	5/95	5/95
Insulation thickness	mm	33	33	33
Weight	kg	15	20	28
Connections				
1: Inlet / drain		G 1/2 M	G 1/2 M	G 1/2 M
2: Outlet		G 1/2 M	G 1/2 M	G 1/2 M
3: Inlet / Outlet		4xG1 1/4 F	4xG1 1/4 F	6xG1 1/4 F
4: Flange with thermosensor tube and anode		Yes	Yes	Yes
5: Socket for thermostat		G1/2 F	G1/2 F	G1/2 F
Dimensions				
H	mm	535	735	1100
H1	mm	195	395	760
H2	mm	-	-	365