

LK 556 AntiFreeze

- Protects heating system from freeze damage
- The valve is maintenance-free
- Can be insulated to save energy



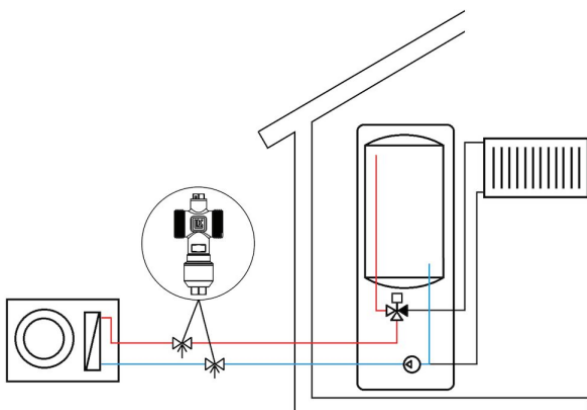
Technical Data

Opening temperature:	3 °C
Working temperature:	0-75 °C
Ambient temperature:	-30-60 °C
Storage temperature:	-30-60 °C
Max. working pressure:	0.6 MPa (6 bar)
Media 1:	Water
Thread standard:	G - male thread
Material, valve body:	Brass EN 12165 CW617N
Material, sealing:	EPDM

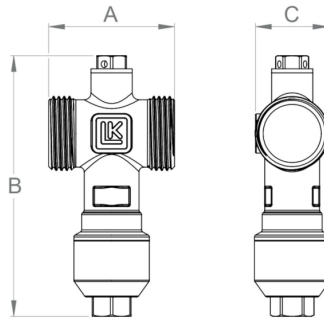
LK 556 AntiFreeze protects your heating system, usually in an air/water heat pump, if the fluid temperature should drop below +3°C by draining the system. This prevents the heating system from freezing.

If the valve opens and drains the system, no action is required to reset the valve, the system can be refilled again as soon as normal circulation in the heating system is resumed.

Insulation is available as an accessory for maximum energy saving. Refer to Accessories & Spare parts.



LK 556 - Male thread



Article	Opening temp. °C	Dim.	DN	Kvs m ³ /h	A mm	B mm	C mm	Weight (kg)
182740	3	M 1"	25	55	55	114	32	0.35
182741	3	M 1¼"	32	70	55	123	42	0.4

LK 556 - Compression fitting



Article	Opening temp. °C	Dim.	DN	Kvs m ³ /h	A mm	B mm	C mm	D mm	E mm	F mm	Weight (kg)
182805	3	Ø22	20	40	114	97	16	34	38	42	0.65
182806	3	Ø28	25	40	114	95	16	34	38	42	0.65
182807	3	Ø28	25	45	114	95	16	34	38	42	0.7

LK 556 Kit - incl. 2 x LK 556 and insulation

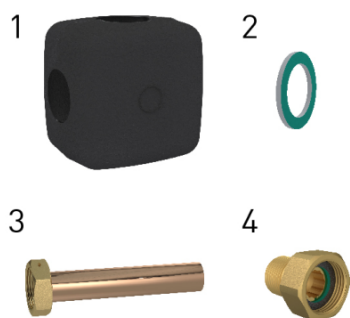


Article	Note	Weight (kg)
182776	Contains 2 pieces 182740 and 2 pieces 187109	0.8



Article	Note	Weight (kg)
182777	Contains 2 pieces 182741 and 2 pieces 187109	0.9

Accessories & Spare parts



Article no.	Article	Position
187109	Insulation, DN 25-32	1
013010	Gasket Klingersil C4430 M32	2
013016	Gasket Klingersil C4430 M25	2
299189	Flanged pipe - 22 mm, F 1", L=120 mm	3
299190	Flanged pipe - 28 mm, F 1¼", L=120 mm	3
095380	Connection kit M ¾" x F 1"	4
095381	Connection kit F 1" x M 1¼"	4