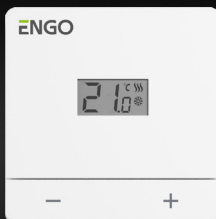


Wired thermostat, 24V



EASY-24W



EASY-24B

**Quick Guide**

Ver. 1.0

Release date: VII 2024

Soft: v0.6



Producer:  
 Engo Controls sp z o.o. sp. k.  
 Rolna 4 St.  
 43-262 Kobielice  
 Poland

[www.engocontrols.com](http://www.engocontrols.com)

## Introduction

Wired, non-programmable thermostat, 24V AC powered. It is used for wired control of heating or cooling devices and systems. It works by maintaining comfortable conditions in the room, in line with the setpoint temperature set by the user. It is connected directly to a heat source or wiring centre. For a better fit, the model is available in two colors. Safe, reliable, easy to use.

## Product features



Wired communication



NO-COM Volt-Free output 3(1)A



Precise TPI temperature control algorithm



HEAT/STANDBY/COOL Switch

## Product Compliance

This product complies with the following EU Directives: 2014/30/UE, 2014/35/UE, 2011/65/UE.

## SAFETY INFORMATION:

Use in accordance with national and EU regulations. Use the device only as intended, keeping it in a dry condition. The product is for indoor use only. Please read the entire manual, before installation or use.

## Installation

Installation must be performed by a qualified person with appropriate electrical qualifications, in accordance with the standards and regulations in force in a given country and in the EU. The manufacturer is not responsible for non compliance with the instructions.

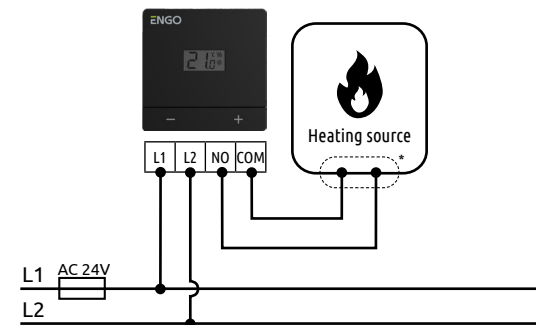


## ATTENTION:

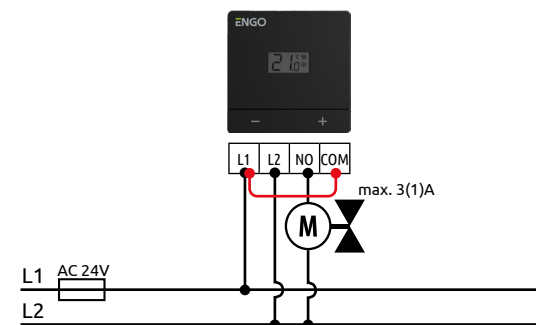
For the entire installation, there may be additional protection requirements, which the installer is responsible for.

## Connection description

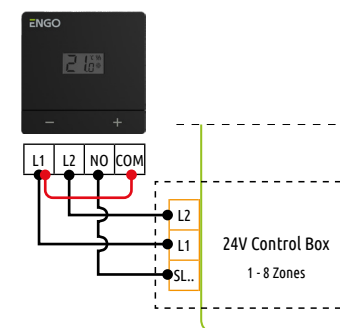
### a) Connection diagram for heating source



### b) Connection diagram to 24V actuator



### c) Connection diagram to the control box



### Legend:



**Heating source\*** - Boiler's contacts for ON/OFF thermostat (according to the boiler's instructions)

**L1, L2** 24V AC power supply

**COM, NO** Voltage-free output



**Valve actuator**

**SL..** Input terminals

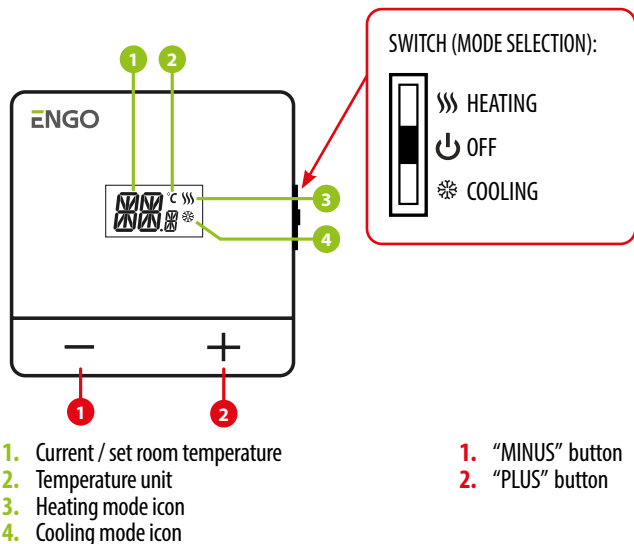


**Fuse**

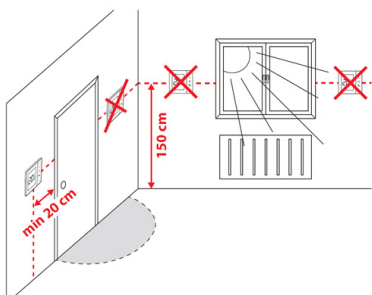
## Technical Informations

Power supply	24V AC
Max current	3 (1) A
Temperature range	5 – 35°C
Display temperature accuracy	0,1°C
Control algorithm	TPI or Hysteresis ( $\pm 0.2^{\circ}\text{C}$ do $\pm 2^{\circ}\text{C}$ )
Communication	Wired
Output control	COM / NO (voltage-free)
IP protection class	IP30
Dimension	80 x 80 x 22 mm

## Description of the LCD display + description of the buttons

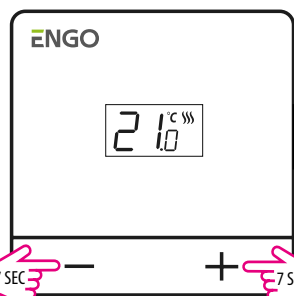


## Proper thermostat location



For the thermostat to work properly, it must be installed in a suitable place. Preferably approx. 150 cm above floor level, away from sources of heat or cold. In addition, the thermostat should not be installed behind curtains or other obstacles or in places with high humidity, as this will prevent an accurate measurement of the temperature in the room. It is not recommended to install the thermostat on an outside wall, in a draft or in a place where it will be exposed to direct sunlight.

## Lock / Unlock the thermostat's keys



To lock the keys on the thermostat, press and hold simultaneously **-** and **+** buttons for 7 seconds. After the **LOC** screen appears, release the keys. Thermostat is locked.

To unlock the keys on the thermostat, press and hold simultaneously **-** and **+** buttons for 7 seconds. After the **UNL** screen appears, release the keys. Thermostat is unlocked.

## Installer parameters

**0 MAIN SCREEN**  
To enter the service menu, press and hold „MINUS“ and „PLUS“ buttons for 5 seconds.

**1 CHOOSE A CONTROL ALGORITHM**  
UFH - underfloor heating  
RAD - radiator heating  
ELE - electric heating  
H - hysteresis in the range from 0,4°C to 4,0°C  
Example: H = 0,4°C = ±0.2°C

**2 MIN. TEMP SETPOINT LIMIT**  
Set the minimum temperature setpoint limit.

**3 MAX. TEMP SETPOINT LIMIT**  
Set the maximum temperature setpoint limit.

**4 TEMPERATURE CALIBRATION**  
Displayed (measured) temperature can be calibrated in steps of 0.1°C (from -3.5°C to +3.5°C).

**5 OUTPUT CONTROL**  
Select whether the thermostat output has to work as NO = Normally Open or NC = Normally Closed.

**6 RESET**  
Reset thermostat settings to default values.

**WARNING!**  
After entering the service menu, use **-** or **+** buttons to choose parameter. For the parameter selection to be confirmed, wait 3 seconds. The screen will appear with the settings that you can change with **-** or **+** buttons. Wait 3 seconds for the selection to be confirmed. The thermostat will go to the home screen.