

LK HydronicGroup C/C 125

- All in one
- Easy to install
- Easy to combine with electronic regulation



Technical Data

Voltage:	230 VAC 50/60 Hz
Power consumption:	10-75 W depending on pump speed
Working temperature:	Min. 5 °C/Max. 95 °C
Ambient temperature:	Min. 5 °C/Max. 58 °C
Max. working pressure:	1.0 MPa (10 bar)
Media 1:	Water - Glycol mixture max. 50%
Thread standard:	Rp - female thread, G - male thread
Circulating pumps:	Wilo Para 15-130/8-75/SC-9, Wilo Para 25-180/6-43/SC-12, Wilo Para 25-180/8-75/SC-12, Wilo Para zKu 15-130/8 SC
Material, valve body:	Brass EN 12165 CW617N
Material, insulation:	Expanded Polypropylene EPP

LK HydronicGroup is a complete pump group that is suitable for heating where direct supply or mixed supply is desirable. Consists of a highly efficient circulation pump, insulation, wall mounting bracket and two ball valves with thermometer, on the return side there is an integrated check valve.

LK 860 manifold available with or without hydraulic separator for one, two, three optionally four pump groups. Wall mounting bracket are included with the manifold.

LK 861 pump group where direct supply is desired.

LK 862 pump group where mixed supply is desired, a three-way mixing valve is included.

LK 863 pump group where mixed supply is desired, a thermic mixing valve is included. The LK 551 HydroMix has a thermostatic element that regulates the supply and return to achieve the desired supply temperature.

LK 864 pump group with a thermic loading valve LK 823 ThermoVar®. The pump group is intended to ensure both an optimal temperature stratification in the storage tank and high return temperature to the boiler, thus increasing the efficiency of the system.

LK 865 is a complete unit for hot water circulation. Consists of a mixing valve, cross, circulation pump, insulation, connection kit and three check valves. The LK 551 HydroMix mixing valve has a thermostatic element that regulates the

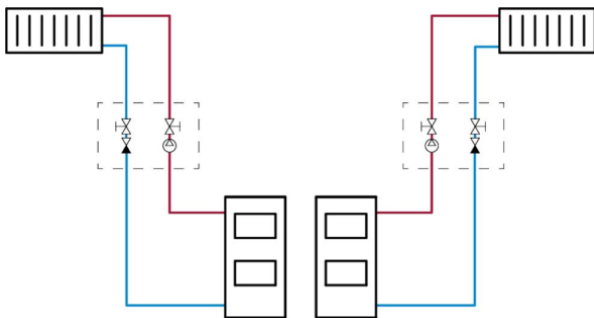


supply of both cold and hot water to the desired temperature. The valve has an anti-scald function that closes for incoming hot water if the cold water supply ceases.

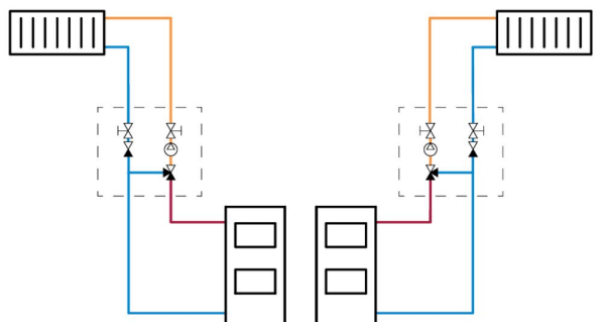
LK 866 is a pump group with a four way mixing valve, LK 841 ThermoMix®. The pumpgroup is designed for heating systems where a high return temperature is required to prevent corrosion and thus extend the life length of the heat source.

LK 867 is a pump group with a four way mixing valve, LK 830 ThermoMix® B. The pump group has a 4-way bivalent mixing valve that is designed for heating systems, where energy is taken from two heating units connected in series or parallel or for storage tank systems where energy is extracted from two levels. The pump group should be equipped with an automatic control unit to ensure that the most favourable heat source is prioritised at all times.

LK 861 - Pump group with direct supply

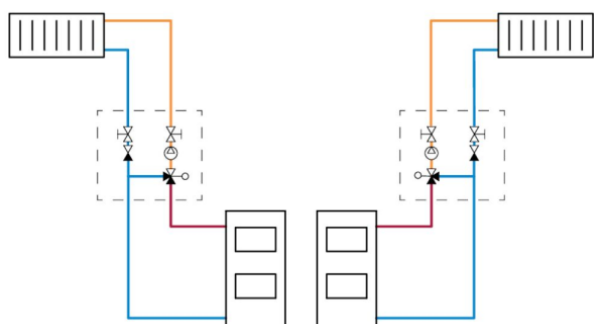


LK 862 - Pump group with mixing valve



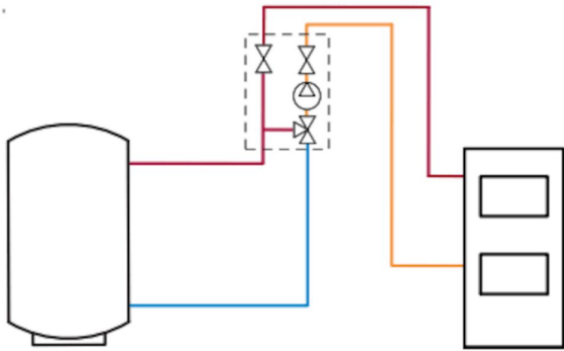
LK 863 - Pump group with mixing valve

LK 551 HydroMix

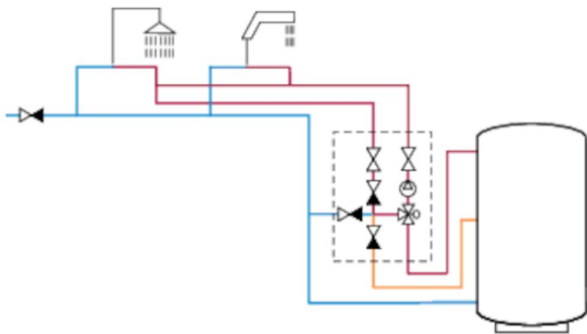


LK 864 - Pump group with thermic loading valve

LK 823 ThermoVar®

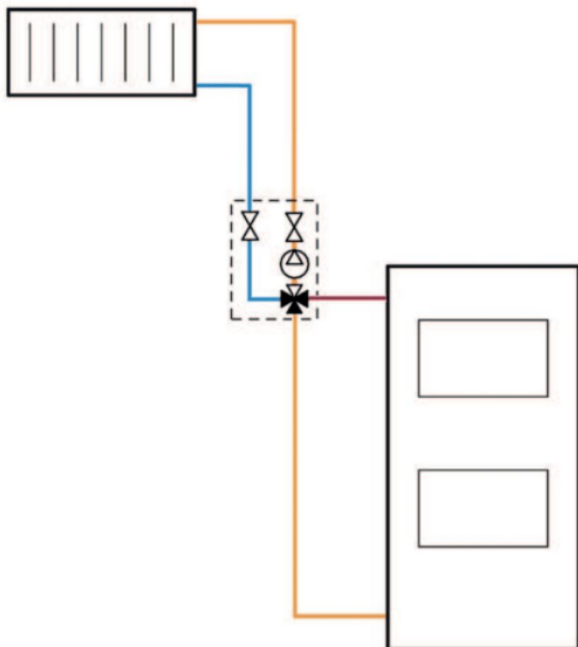


LK 865 - Complete unit for hot water circulation

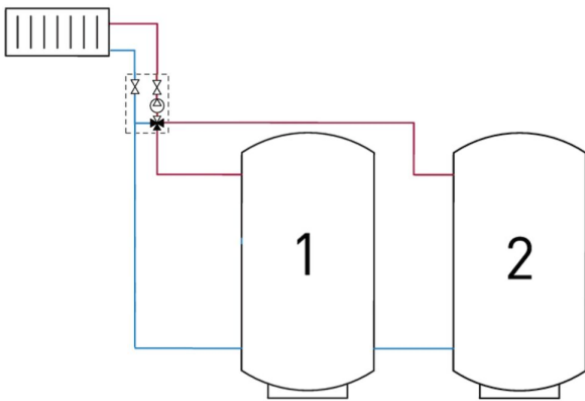


LK 866 - Pump group with a four way mixing valve,

LK 841 ThermoMix®



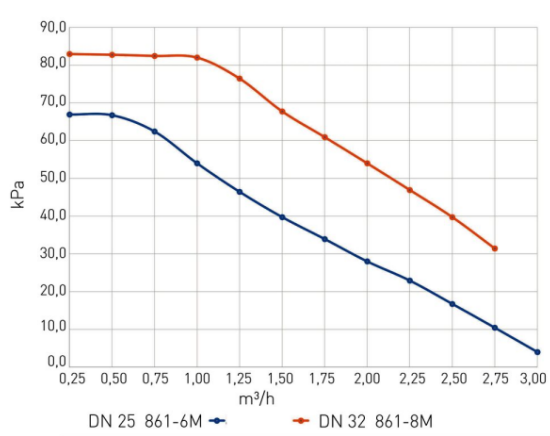
LK 867 - Shuntgrupp med en fyrvägs shuntventil,
LK 830 ThermoMix® B



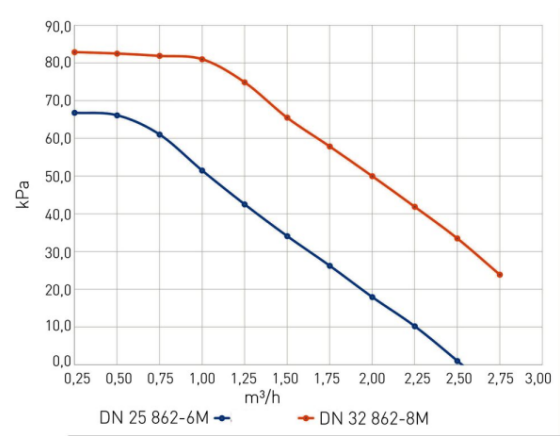
LK 861 Right - LK 861 Left



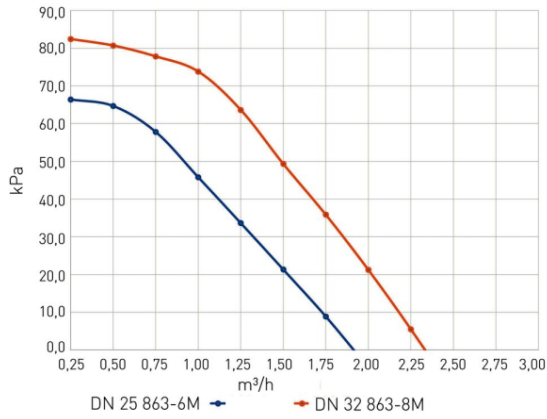
LK 861 - Pump characteristics



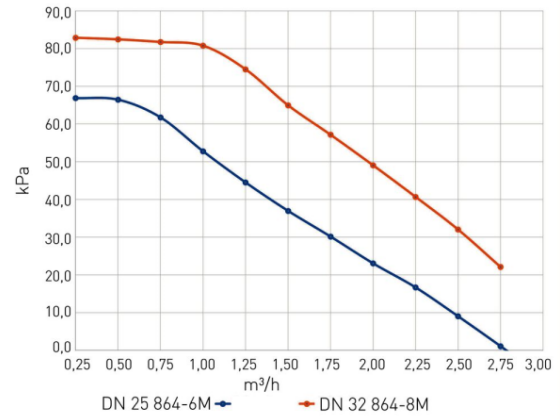
LK 862 - Pump characteristics



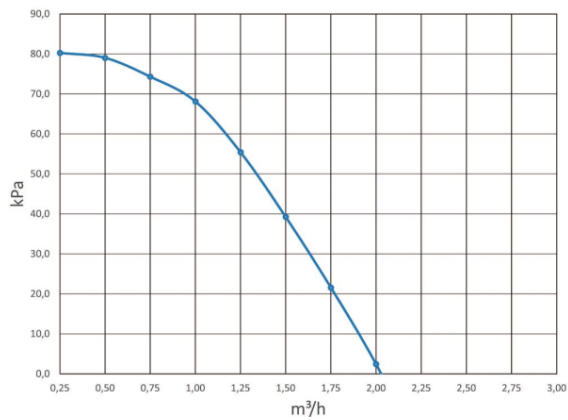
LK 863 - Pump characteristics



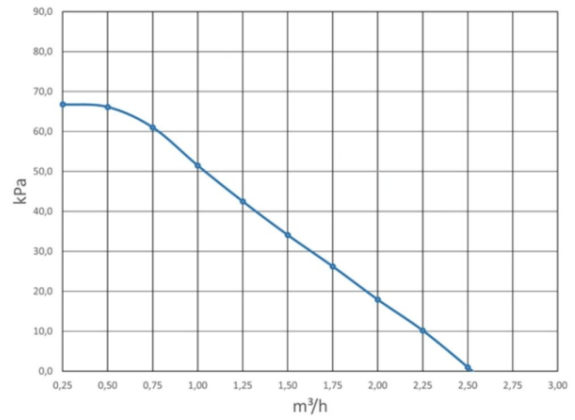
LK 864 - Pump characteristics



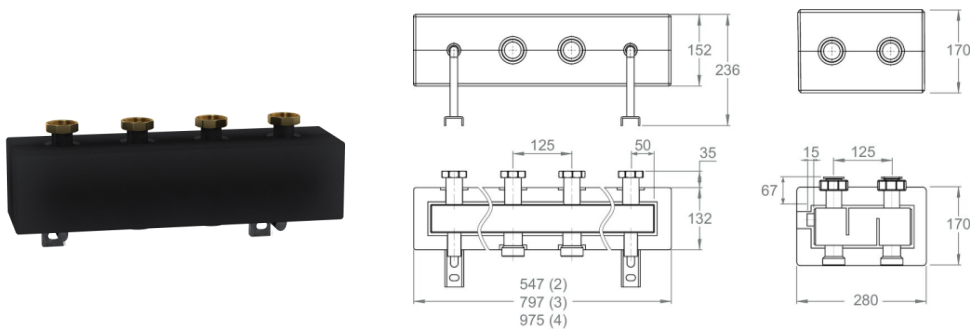
LK 865 - Pump characteristics



LK 866 & LK 867 - Pump characteristics



LK 860 - Manifold

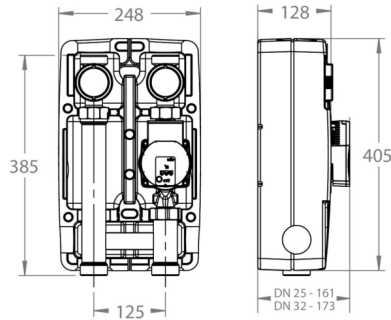


Article	Type	Dim.	Note	Weight (kg)
182419	Manifold, 1 pc groups with hydraulic separator	M 1½"	0.4 MPa (4 bar)	5.0
182348	Manifold, 2 pc groups, without hydraulic separator	M 1½"	0.4 MPa (4 bar)	6.0
182350	Manifold, 2 pc groups with hydraulic separator	M 1½"	0.4 MPa (4 bar)	7.0
182349	Manifold, 3 pc groups, without hydraulic separator	M 1½"	0.4 MPa (4 bar)	8.0

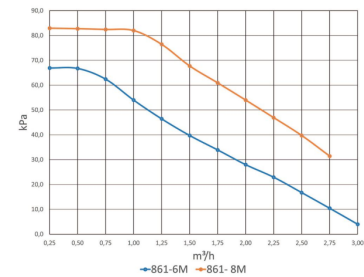


Article	Type	Dim.	Note	Weight (kg)
182351	Manifold, 3 pc groups, with hydraulic separator	M 1½"	0.4 MPa (4 bar)	9.0
182417	Manifold, 4 pc groups, without hydraulic separator	M 1½"	0.4 MPa (4 bar)	9.0
182418	Manifold, 4 pc groups, with hydraulic separator	M 1½"	0.4 MPa (4 bar)	10.0

LK 861 - Pump group with direct supply

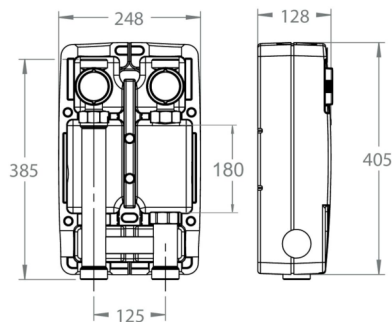


LK 861 - PUMP CHARACTERISTICS



Article	Dim.	DN	Weight (kg)
299458	M 1½" / F 1" x M 1½"	DN 25	5.0
299459	M 1½" / F 1" x M 1½"	DN 32	5.2

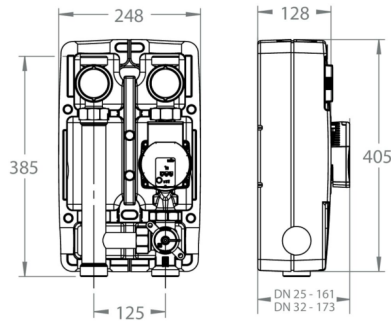
LK 861 - Pump group with direct supply. Whitout pump



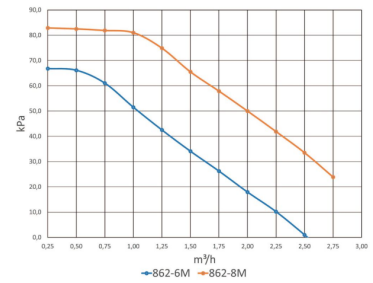
Article	Dim.	Weight (kg)
299460	M 1½" / F 1" x M 1½"	3.1



LK 862 R - Pump group with mixed supply - Right version

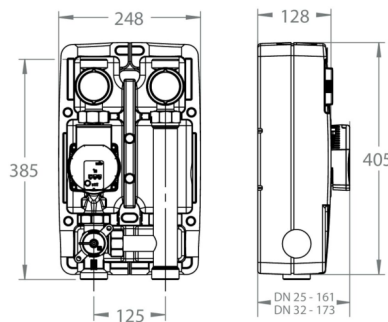


LK 862 - Pump Characteristics

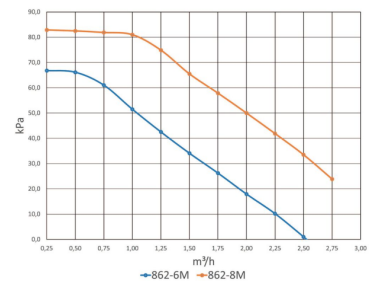


Article	Dim.	DN	Kvs m³/h	Weight (kg)	Note
299462	M 1½" / F 1" x M 1½"	DN 25	6,3	5.3	
299464	M 1½" / F 1" x M 1½"	DN 32	10,0	5.5	
396164	M 1½" / F 1" x M 1½"	DN 25	6,3	5.8	LK 950 (180759)

LK 862 L - Pump group with mixed supply - Left version

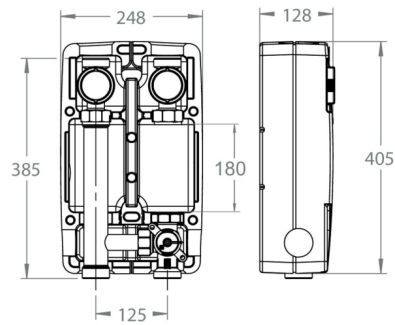


LK 862 - Pump Characteristics



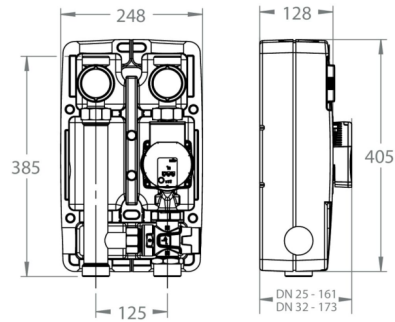
Article	Dim.	DN	Kvs m³/h	Weight (kg)
299461	M 1½" / F 1" x M 1½"	DN 25	6,3	5.3
299463	M 1½" / F 1" x M 1½"	DN 32	10,0	5.5

LK 862 - Pump group with mixed supply. Without pump

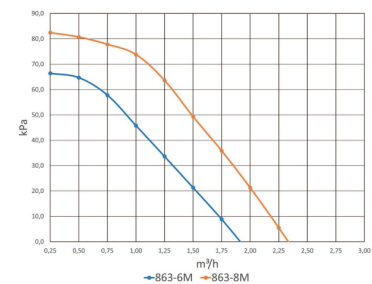


Article	Dim.	Kvs m ³ /h	Weight (kg)
299465	M 1½" / F 1" x M 1½"	6,3	3.1
299466	M 1½" / F 1" x M 1½"	10,0	3.1

LK 863 - Pump group with thermic mixing valve

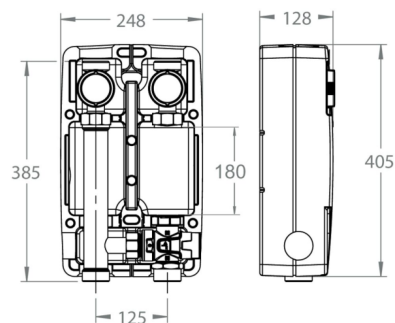


LK 863 - Pump Characteristics



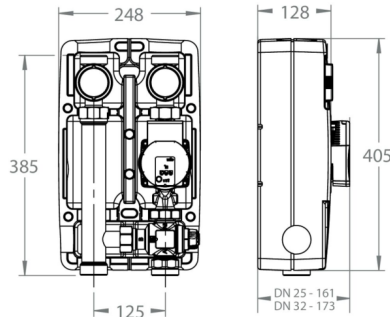
Article	Dim.	DN	Note	Weight (kg)
299467	M 1½" / F 1" x M 1½"	DN 25	Temperature: 25 - 45 °C	5.8
299468	M 1½" / F 1" x M 1½"	DN 32	Temperature: 25 - 45 °C	6.0

LK 863 - Pump group with thermic mixing valve. Without pump

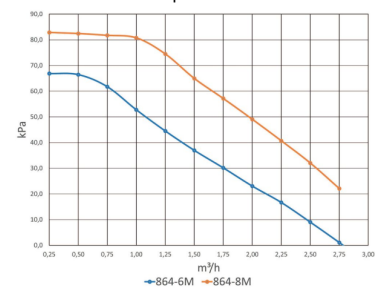


Article	Dim.	Note	Weight (kg)
299469	M 1½" / F 1" x M 1½"	Temperature: 25 - 45 °C	4.0

LK 864 - Pump group with thermic loading valve, LK 823 ThermoVar®

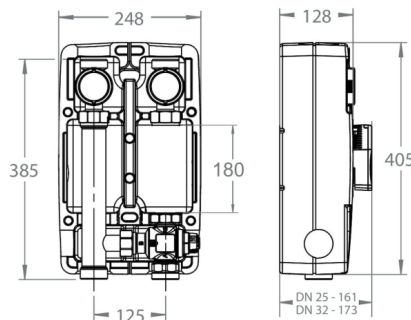


LK 864 - Pump Characteristics



Article	Dim.	DN	Kvs m³/h	Note	Weight (kg)
299470	M 1½" / F 1" x M 1½"	DN 25	9,0	Opening temperature: 55 - 70 °C	5.7
299471	M 1½" / F 1" x M 1½"	DN 32	9,0	Opening temperature: 55 - 70 °C	5.9
299787	M 1½" / F 1" x M 1½"	DN 25	9,0	Opening temperature: 45 - 60 °C	5.7
299788	M 1½" / F 1" x M 1½"	DN 32	9,0	Opening temperature: 45 - 60 °C	5.9

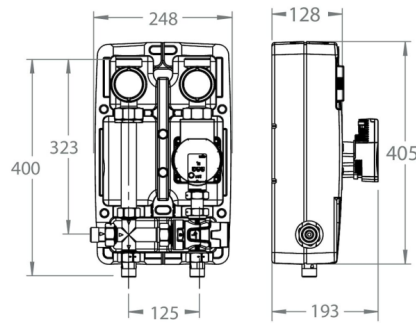
LK 864 - Pump group with thermic loading valve, LK 823 ThermoVar®. Without pump



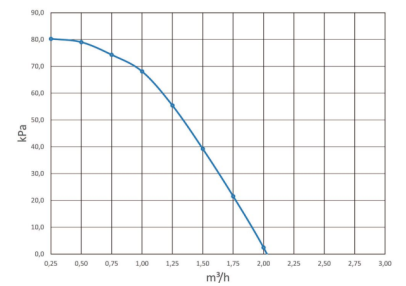
Article	Dim.	DN	Kvs m³/h	Note	Weight (kg)
299962	M 1½" / F 1" x M 1½"	DN 25	9,0	Opening temperature: 55 - 70 °C	3.5



LK 865 - Complete unit for hot water circulation

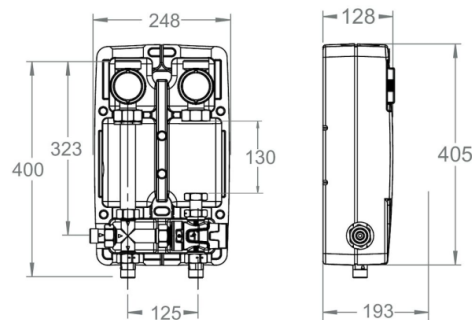


LK 864 - Pump characteristics



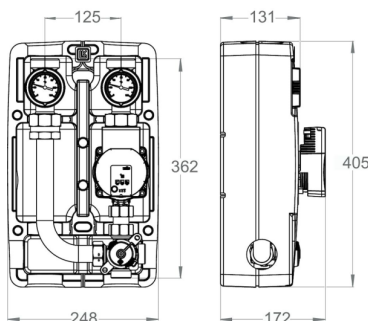
Article	Dim.	Note	Weight (kg)
299472	F 1" x M 1"	Opening temperature: 35 - 65 °C	4.9

LK 865 - Complete unit for hot water circulation. Without pump

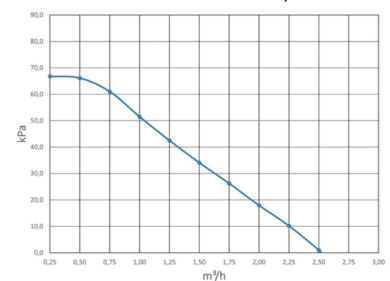


Article	Dim.	Note	Weight (kg)
299963	F 1" x M 1"	Opening temperature: 35 - 65 °C	2.7

LK 866 - Pump group with a four way mixing valve, LK 841 ThermoMix®



LK 866 & LK 867 - Pump characteristics

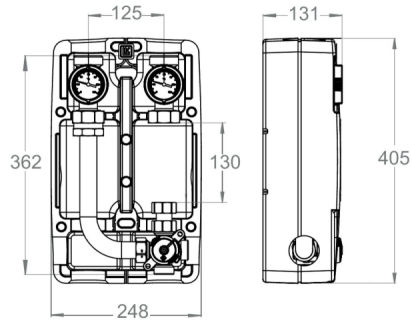


LK 866 - Pump group with a four way mixing valve, LK 841 ThermoMix®

Article	Dim.	DN	Kvs m³/h	Weight (kg)
299747	M 1½" / F 1" x M 1"	DN 25	6,3	5.3

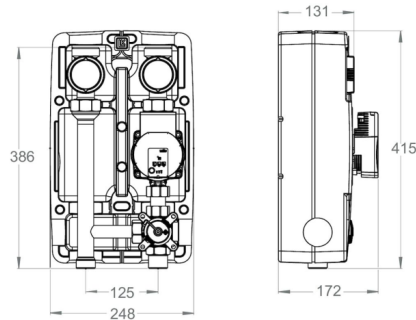


LK 866 - Pump group with a four way mixing valve, LK 841 ThermoMix®. Without pump

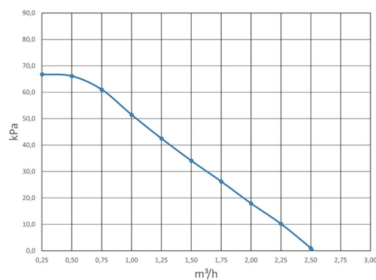


Article	Dim.	DN	Kvs m³/h	Weight (kg)
299964	M 1½" / F 1" x M 1"	DN 25	6,3	3.1

LK 867 - Pump group with a four way mixing valve, LK 830 ThermoMix® B



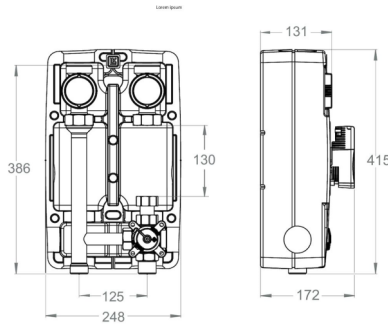
LK 866 & LK 867 - Pump characteristics



Article	Dim.	DN	Kvs m³/h	Weight (kg)
299765	M 1½" / F 1" x M 1"	DN 25	6,3	5.3



LK 867 - Pump group with a four way mixing valve, LK 830 ThermoMix® B. Without pump

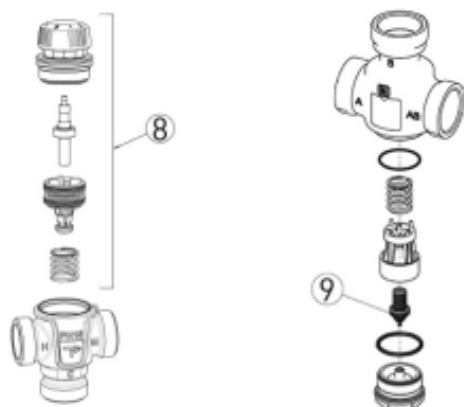
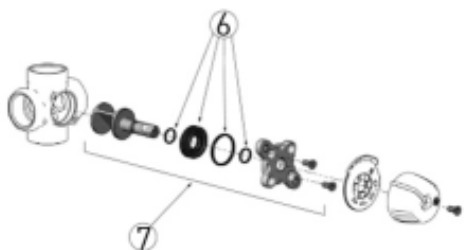


Article	Dim.	DN	Kvs m³/h	Weight (kg)
299965	M 1½" / F 1" x M 1"	DN 25	6,3	3.1

Accessories & Spare parts

Article no.	Article	Position
187203	Wilo PARA 25-180/8-75/SC	1
187322	Wilo PARA 25-180/6-43/SC	1
187227	Wilo PARA 15-130/8-75/SC-9	1
187323	Ballvalve, blue	2
187324	Ballvalve, red	2
187325	Bracket	3
187326	EPP Insulation	4
182766	LK 840 ThermoMix HG Kvs 6,3	5
182767	LK 840 ThermoMix HG Kvs 10	5
181949	LK 840 Mixing Valve (866), Kvs 6.3	5
180588	LK 830 Mixing Valve (867), Kvs 6.3	5
187188	Sealing kit LK 840/841 DN 25	6
187195	Repair kit 841 2.0, DN 25	7
187062	Repair kit 830, DN 15-20, Kvs 6.3	7
095349	Repair kit 551, 25 - 45 °C, Kvs 3.2-4.2	8
095350	Repair kit 551, 35 - 65 °C, Kvs 3.2-4.2	8
187330	Repair Kit 823R	9
182431	LK 551 (863), 25 - 45 °C	10
182389	LK 823R (864), 55 - 70 °C	11
182447	LK 823R (864), 45 - 60 °C	11





Article no.	Article	Position
187203	Wilo PARA 25-180/8-75/SC	1
187322	Wilo PARA 25-180/6-43/SC	1
187227	Wilo PARA 15-130/8-75/SC-9	1
187323	Ballvalve, blue	2
187324	Ballvalve, red	2
187325	Bracket	3
187326	EPP Insulation	4
182766	LK 840 ThermoMix HG Kvs 6,3	5
182767	LK 840 ThermoMix HG Kvs 10	5
181949	LK 840 Mixing Valve (866), Kvs 6.3	5
180588	LK 830 Mixing Valve (867), Kvs 6.3	5
187188	Sealing kit LK 840/841 DN 25	6
187195	Repair kit 841 2.0, DN 25	7
187062	Repair kit 830, DN 15-20, Kvs 6.3	7
095349	Repair kit 551, 25 - 45 °C, Kvs 3.2-4.2	8
095350	Repair kit 551, 35 - 65 °C, Kvs 3.2-4.2	8
187330	Repair Kit 823R	9
182431	LK 551 (863), 25 - 45 °C	10
182389	LK 823R (864), 55 - 70 °C	11
182447	LK 823R (864), 45 - 60 °C	11