

NON-ENAMELED BUFFER TANKS (BC)



Product type: indirect

Installation: floor standing

Capacity: 200, 300, 500, 750, 1000, 1500, 2000L.

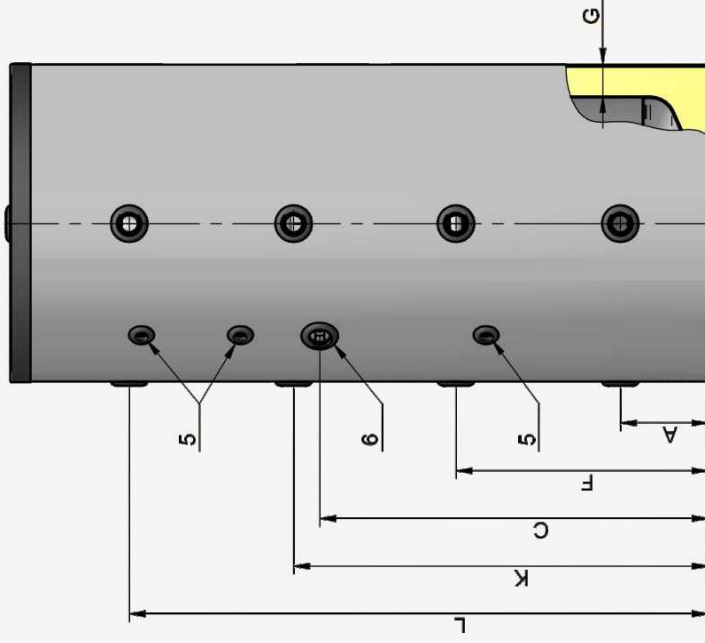
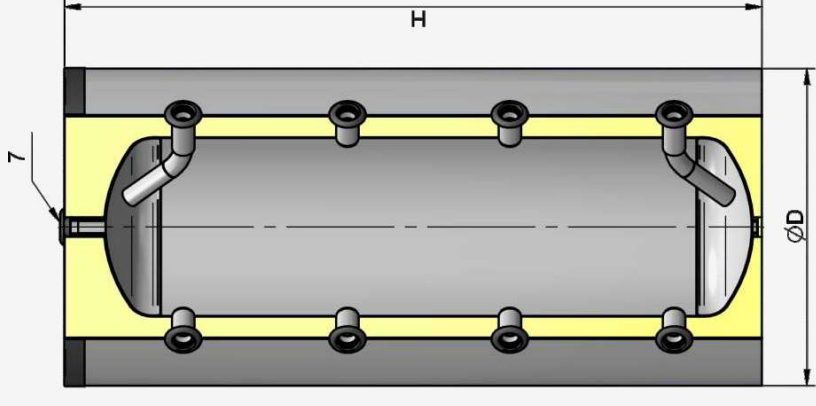
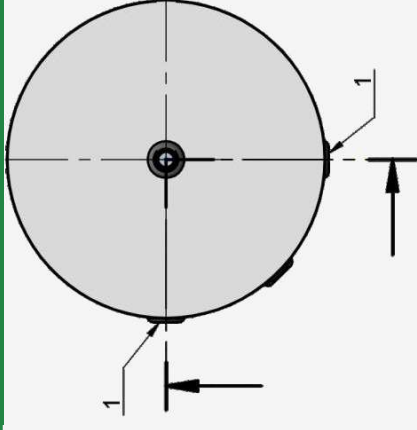
Water tank: non-enameled

ELDOM Green Line buffer tanks are dedicated floor standing tanks with volumes from 200 to 2000 L. Their water tanks are made of black steel. ELDOMINVEST can manufacture customized models as well.



DESCRIPTION

- Minimal heat losses.
- Thick CFC-free insulation from environmentally friendly high density polyurethane foam formula for models from 200 to 500 liters.
- Thick EPS insulation of expanded polystyrene with high density graphite microparticles for models from 750 to 2000 liters
- Zipped lining of wear resistant synthetic fabric in INOX color;
- Connections, convenient for installation and maintenance;
- Large diameter flange for easy access to the water tank;
- Thermostat socket;
- Circulation socket;
- Venting socket;
- Not suitable for domestic hot water;
- No heat exchangers;



SPECIFICATIONS

Parameters	BC 200K60	BC 300K	BC 500K80	BC 750F	BC 1000F	BC 1500F	BC 2000F
Model
Volume group	B	B	B	B	B	B	B
Energy efficiency class	53	50	73	116	131	155	178
Standing loss	0,3	0,3	0,3	0,3	0,3	0,3	0,3
Rated pressure	193	272	491	748	961	1495	2020
Volume	75	85	80	80	80	100	100
Insulation thickness	53	64	112	155	160	278	322
Gross weight							
Connections							
1: Inlet / Outlet	G1 1/2 F	G1 1/2 F	G2 F	G2 F	G2 F	G2 F	G2 F
5: Socket for thermostat	G1 1/2 F	G1 1/2 F	G1 1/2 F	G1 1/2 F	G1 1/2 F	G1 1/2 F	G1 1/2 F
6: Additional socket	G1 1/2 F	G1 1/2 F	G1 1/2 F	G1 1/2 F	G1 1/2 F	G1 1/2 F	G1 1/2 F
7: Inlet / Outlet	G3/4 F	G3/4 F	G1 1/4 F	G1 1/4 F	G1 1/4 F	G2 F	G2 F
Dimensions							
A	200	205	220	330	330	385	395
C	855	835	960	890	1045	1220	1230
D	600	670	800	1010	1010	1250	1400
F	515	575	635	645	755	845	855
G	75	85	80	80	80	100	100
H	1430	1595	1765	1665	2000	2210	2255
K	855	945	1045	960	1185	1305	1315
L	1180	1315	1460	1270	1610	1765	1775

