

LK 527 MultiZone 2W

- Click system for actuator



Technical Data

Working temperature:	Min. 2 °C/Max. 110 °C
Ambient temperature:	Min. 1 °C/Max. 55 °C
Max. working pressure:	3.2 MPa (32 bar)
Max. differential pressure:	600 kPa (6 bar)
Media 1:	Water - Glycol mixture max. 50%
Thread standard:	R - male thread, Rp - female thread, G - male thread
Actuator:	230 VAC, 50 Hz
Electrical connection:	Fixed wire
Signal connector:	2-Point SPST
Protection type:	IP 44
Material, valve body:	Brass EN 12165 CW617N
Other data:	Material, ball Brass CW617N
Other data:	Type approval certificate - Actuator: CE Type approval certificate - Valve: DIN-DVGW*, WRAS*, ACS *Applies for 527 MultiZone 2W female thread
Cable specification:	Dimension 3 x 0,75 mm ²
Wire colors:	Blue, brown, black
External insulation:	PVC
Approvals:	CE

LK 527 MultiZone is a motorized 2-way ball valve with high flow capacity for applications in, for example heating, cooling and domestic water systems.

The zone valve has On/Off control and is controlled by 2-point signal.

Assembly/disassembly of actuator on the ball valve is simple and secure, using the clip-system. The zone valve must not be installed with the actuator underneath the valve unit.

In case of a power failure, the valve stays in its current position. When the power is switched off, the valve can be manually

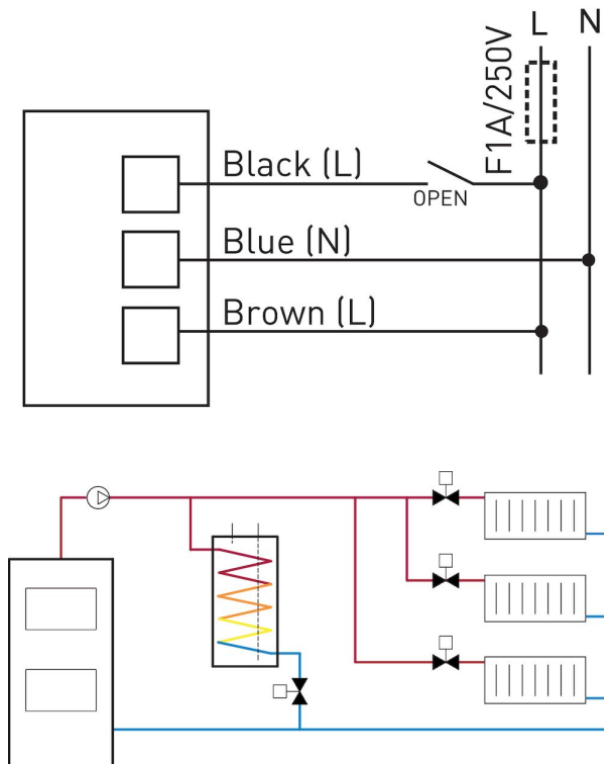


set by the handle on the actuator.

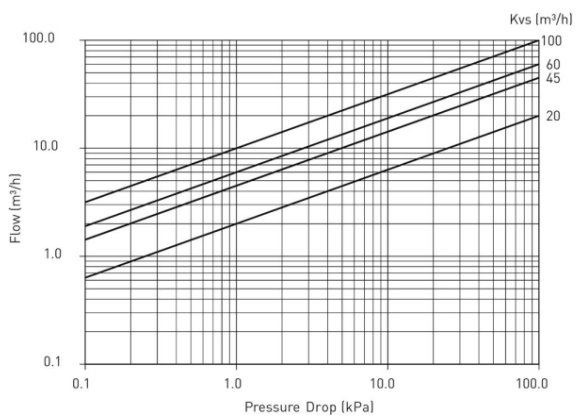
Please note that the actuator can be installed in only one position.

The valve requires no maintenance but the installation should be checked regularly.

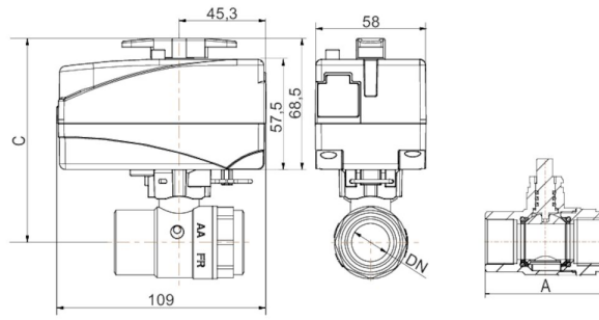
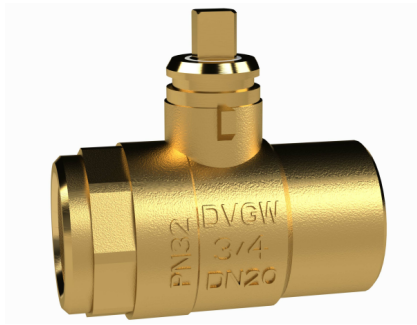
Wiring Diagram



Capacity Diagram



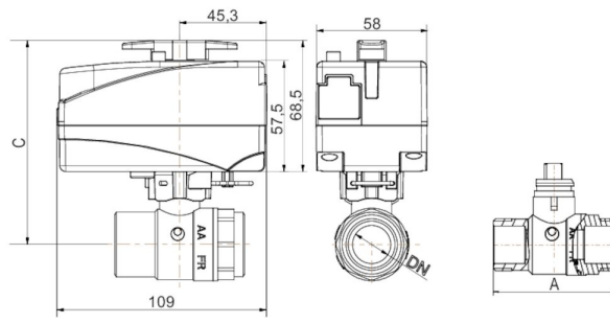
LK 527 2W - Female Thread



Article	Dim.	Kvs m ³ /h	A mm	C mm	Weight (kg)
066263	F ½"	20,0	62	104	0.6
066264	F ¾"	45,0	68	107	0.7
066265	F 1"	60,0	81	112	0.9
066266	F 1¼"	100,0	86	117	1.1

Other dimensions on request.

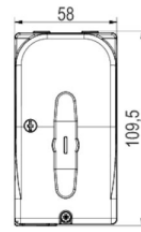
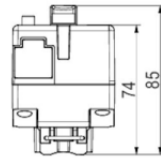
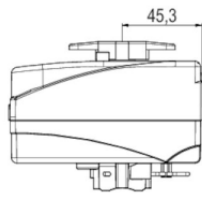
LK 527 2W - Male thread



Article	Dim.	Kvs m ³ /h	A mm	C mm	Weight (kg)
066279	M 1"	45,0	74	107	0.8
066280	M 1¼"	60,0	82	112	1.0

Other dimensions on request.

LK 527 - Actuator



Article	Connection	Voltage	Torque	Operation time	Weight (kg)
066282	2-point SPST output, with cable 1 m	230 V	5 Nm	12s / 90°	0.4
066283	2-point SPST output, with cable 1 m	230 V	5 Nm	30s / 90°	0.4