

ENG

## TECHNICAL INSTRUCTIONS

for mounting, use and maintenance  
of the pellet tank and screw feeder



PELLET TANK **PS 69/96**

SCREW FEEDER **PT 69/96**

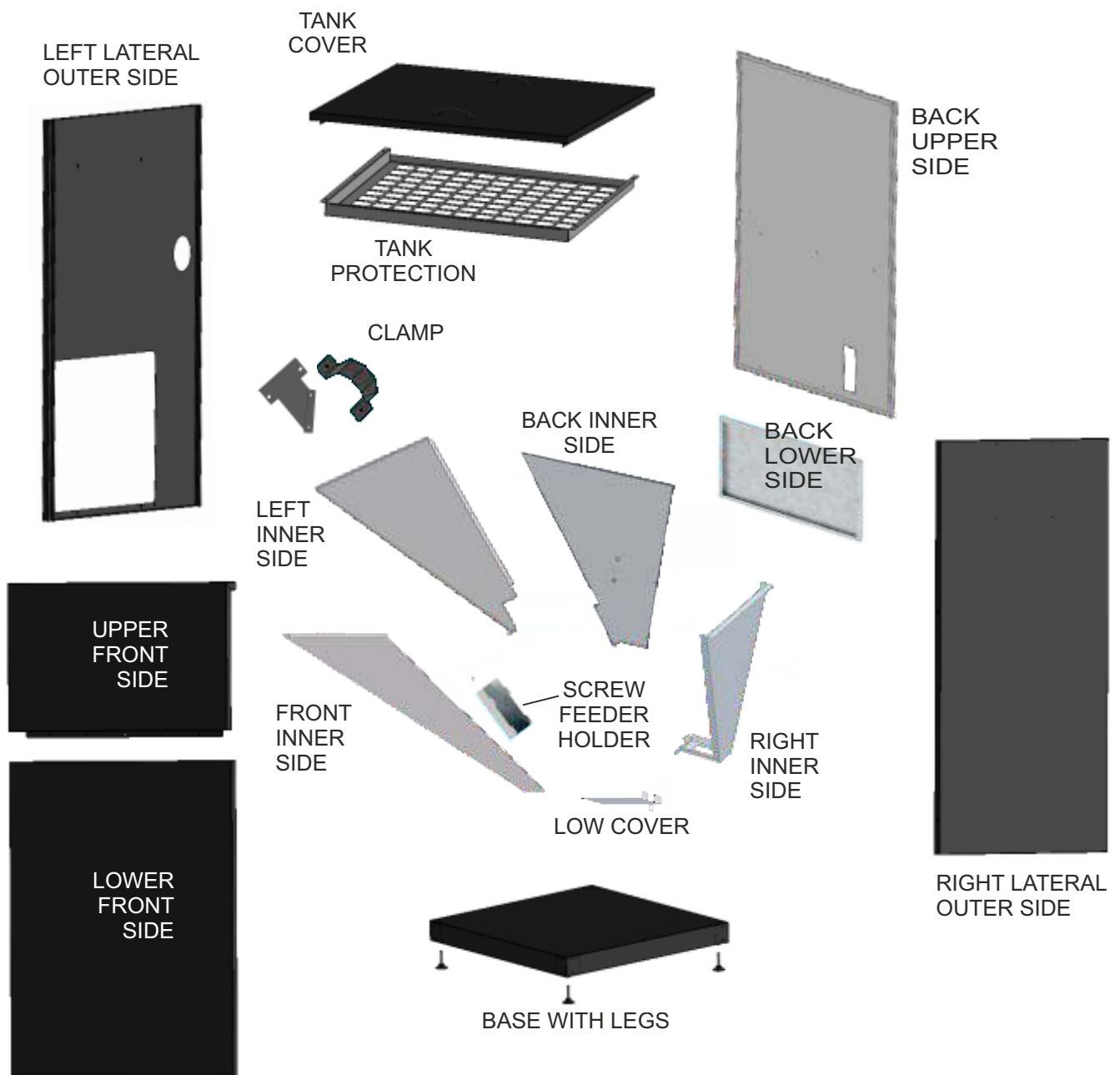
## 1.0. GENERAL DATA

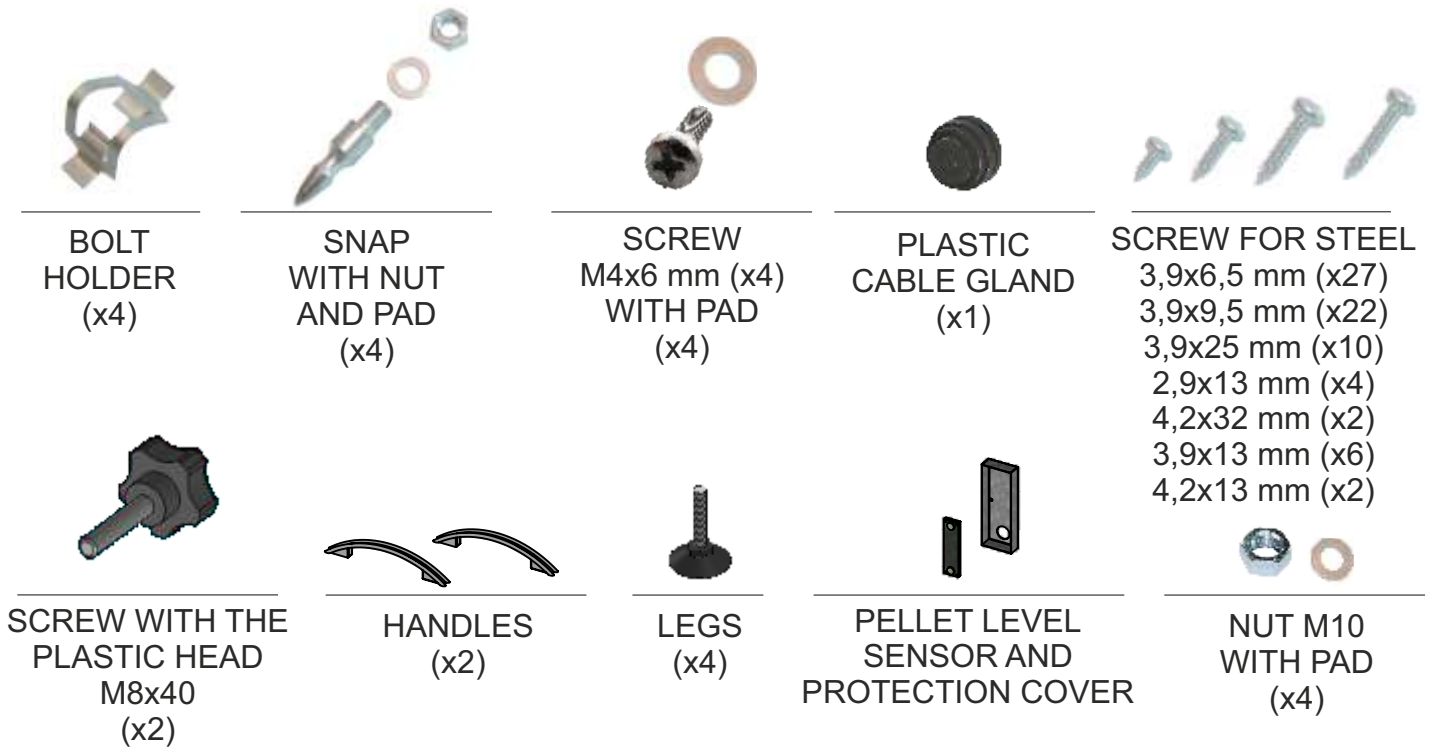
The Pellet tank **PS 69/96** and the screw feeder **PT 69/96** are constructed for keeping and transporting the **wood pellets**. The pellet tank with its screw feeder are constructed and designed in a modern way. The tank is made out of iron sheet coated by plastic and protecting color after its final treatment. The storage capacity of the tank can meet needs of the pellet fired boiler according to its rated thermal output, up to one week time frame.

## 2.0. DELIVERY STATUS

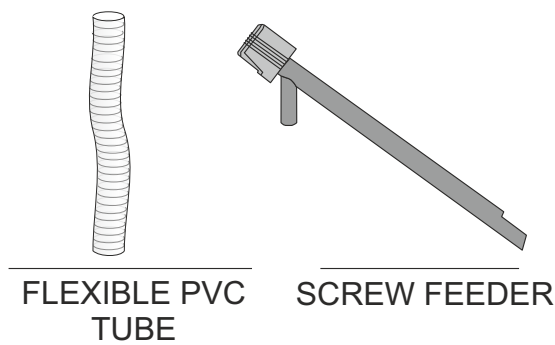
The pellet tank and its screw feeder are delivered in parts, ready for assembling and packed in cardboard box. In a cardboard box of pellet tank PS 69/96 are parts ready for assembly (see chapter 2.1.) while in the screw feeder box of PT 69/96 is a screw feeder ready to be installed in the pellet tank PS 69/96 with flexible tube (see chapter 2.2.).

### 2.1. CONTENT OF THE CARDBOARD BOX - PS 69/96





**2.2. CONTENT OF THE CARDBOARD BOX - PT 69/96**



**3.0. TECHNICAL DATA**

PELLET TANK PS 69/96		
Volume	[l]	430
Capacity*	[kg]	cca. 280
Width	[mm]	825
Depth	[mm]	815
Height	[mm]	1620

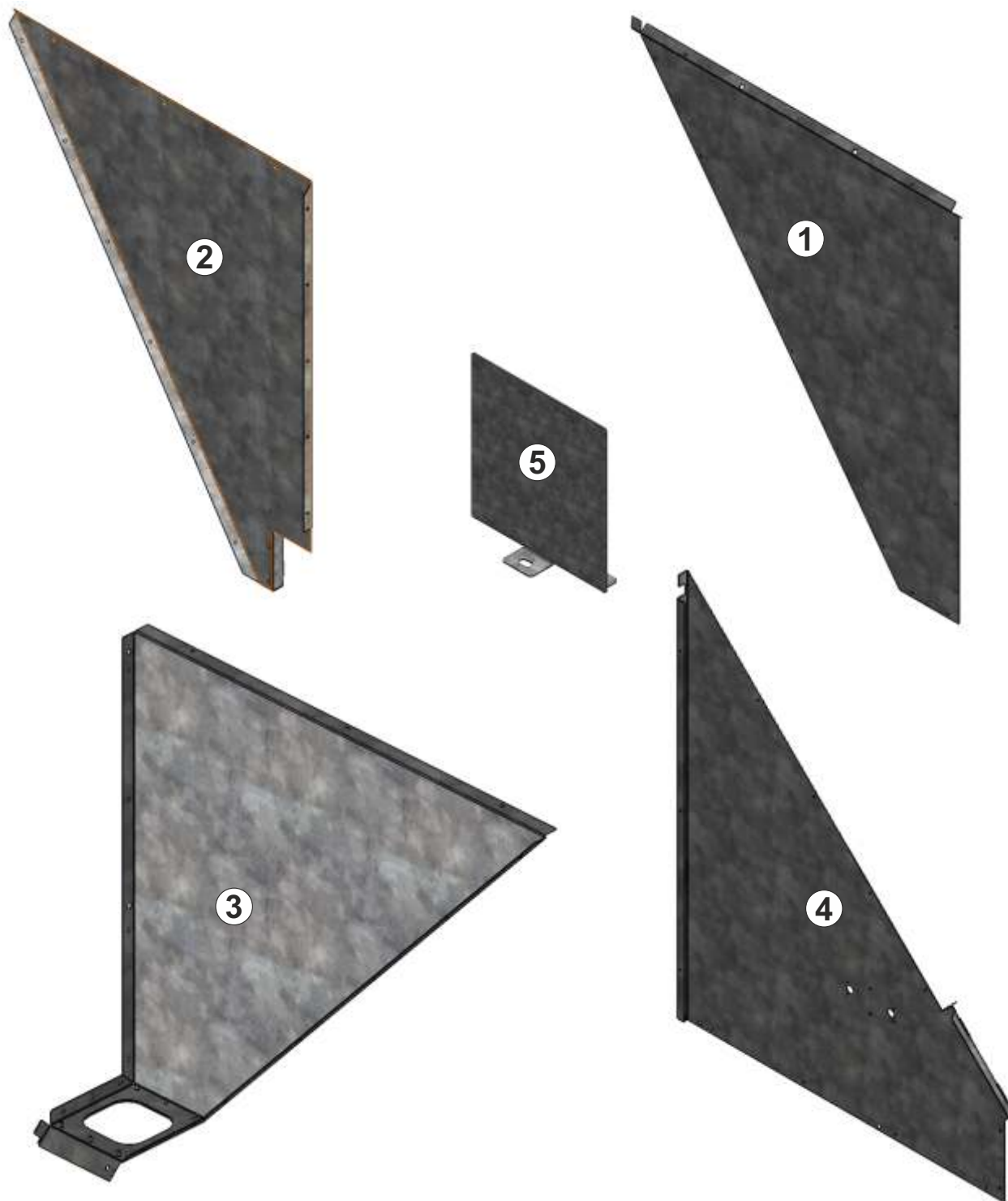
\* depends on pellet type

SCREW FEEDER PT 69/96		
Engine power	[W]	90
Voltage/Frequency	[V/Hz]	230/50

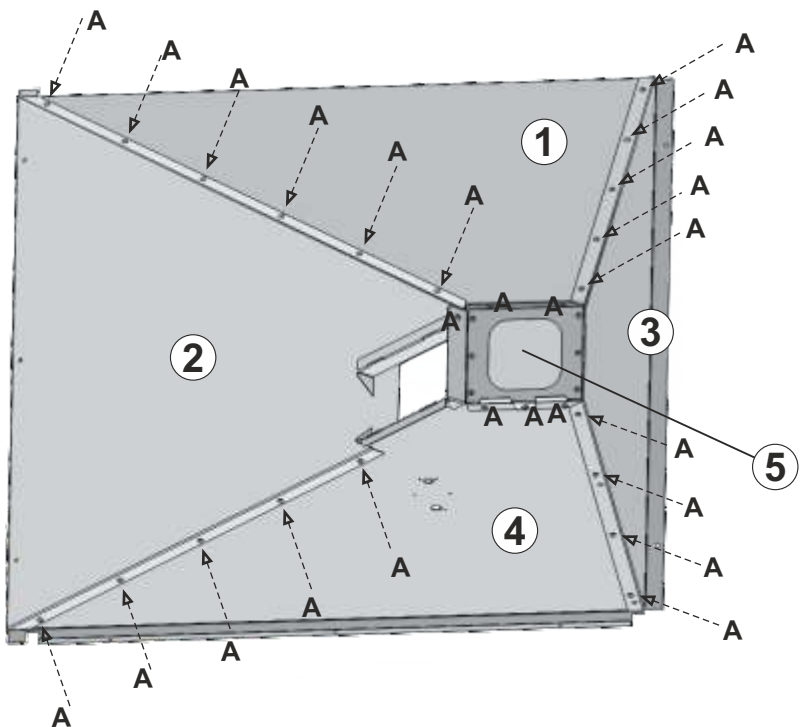
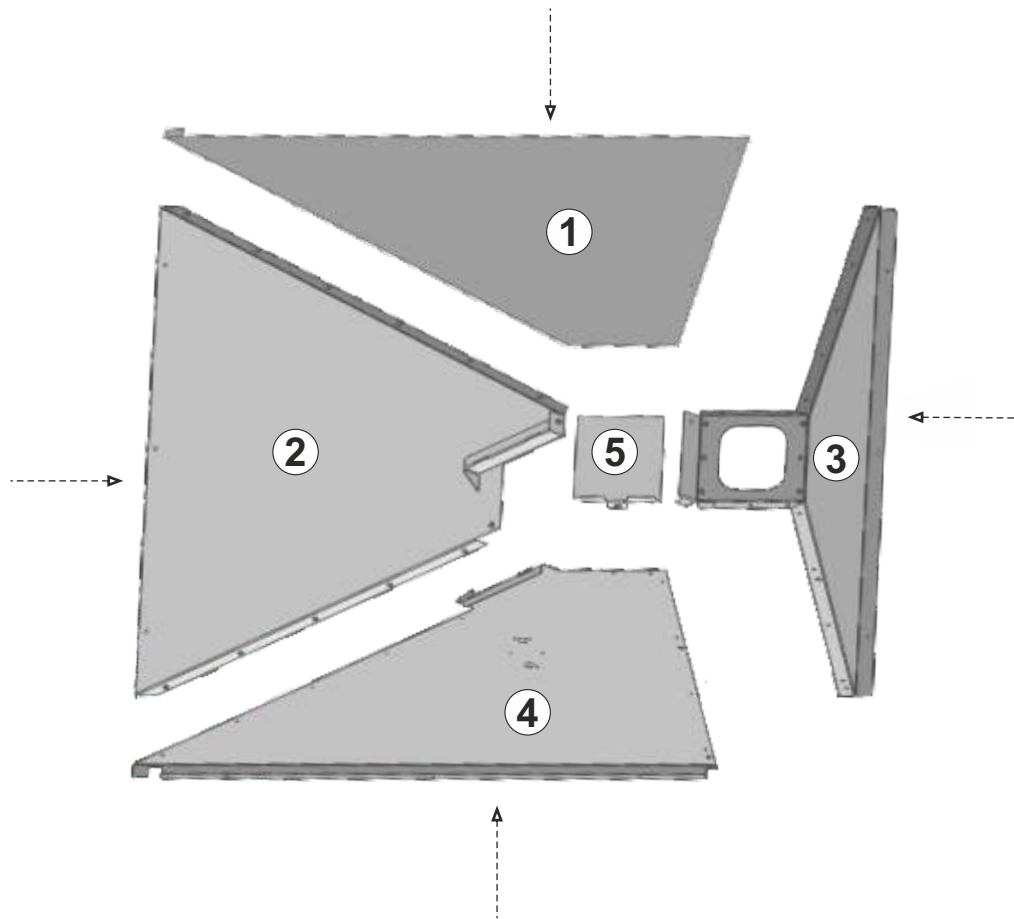
## 4.0. ASSEMBLAGE


The order of assemblage of the pellet tank and the feeder screw is displayed on following figures.

### 1. Connection of the inner sides of the pellet tank



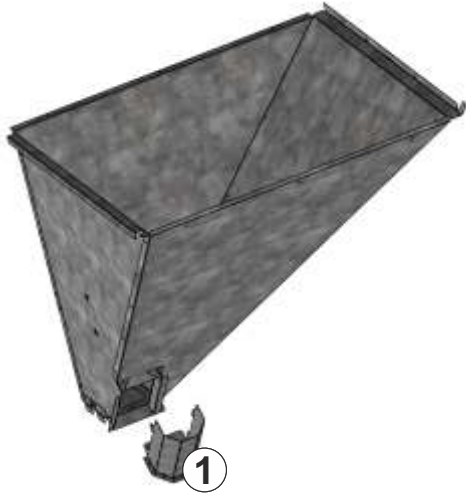
1. Front inner side
2. Left inner side
3. Right inner side
4. Back inner side
5. Low cover



A - screw for steel 26 x   
3,9 x 6,5 mm


Connect the front inner side (1) by screw with the left and right inner side (2, 3) and then attach the back inner side (4). The parts should be positioned that larger holes are on the outside (2, 3). The tightening of all sides have to be done from outside to inside, larger holes have to be at the outer side.

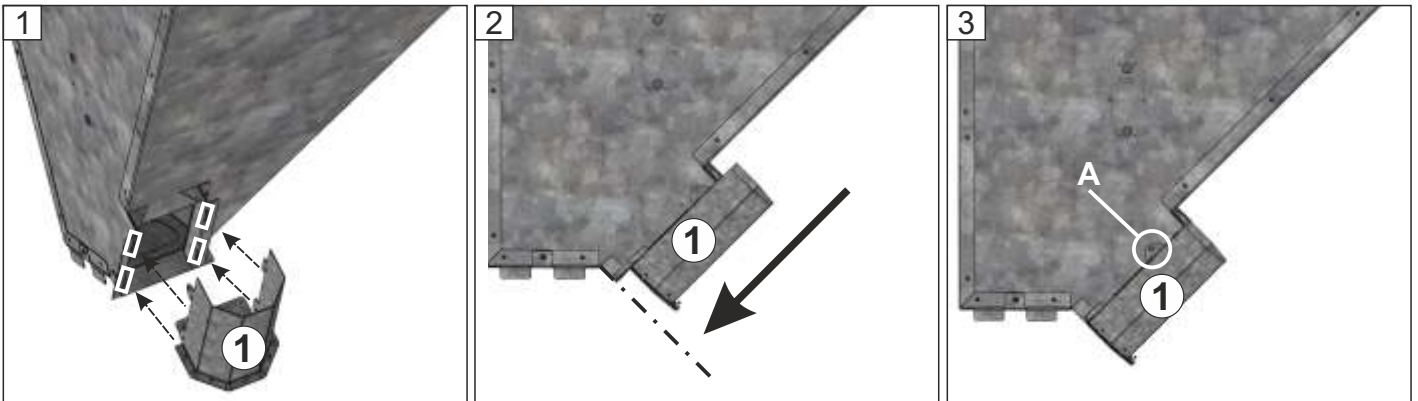
## 2. Attach screw feeder holder



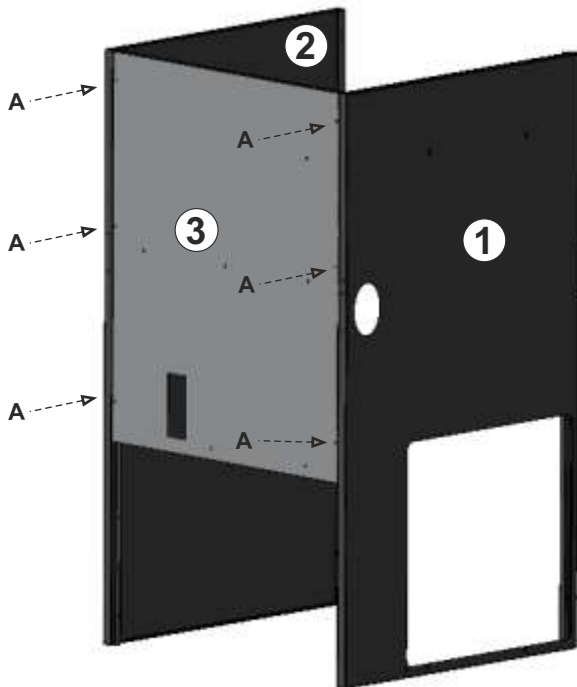
### 1. Screw feeder holder


Attach screw feeder holder to the prepared hooks to inner side. At the end, fasten with a screw (A).

A - screw for steel 3,9 x 6,5 mm 1x 



## 3. Connecting of the lateral outer sides with back upper side

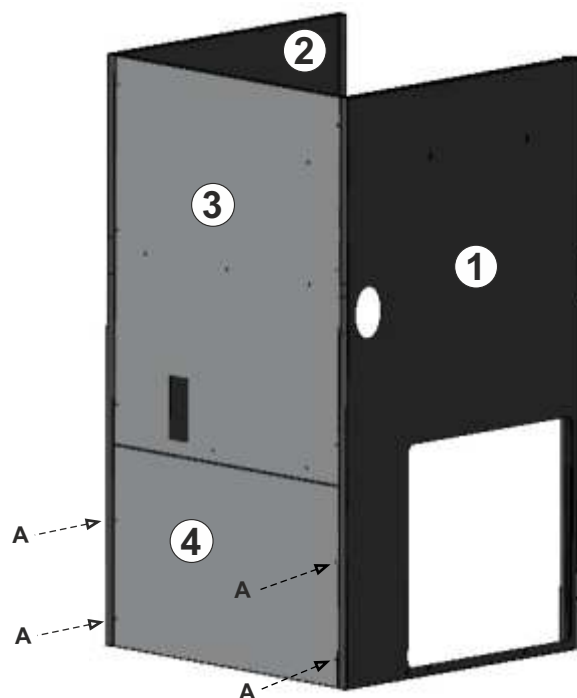


A - screw for steel 3,9 x 25 mm 6x 

1. Left outer side
2. Right outer side
3. Back upper side

Connect the sides and fasten them with screws.

#### 4. Connecting of the lateral outer sides with back lower side



A - screw for steel  
3,9 x 25 mm

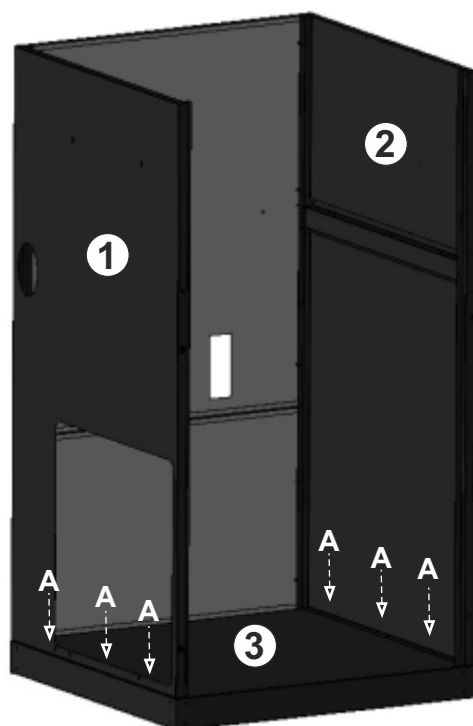


4x

1. Left outer side
2. Right outer side
3. Back upper side
4. Back lower side

Connect the sides and fasten them with screws.

#### 5. Connecting to the pellet tank base



A - screw for steel  
3,9 x 13 mm

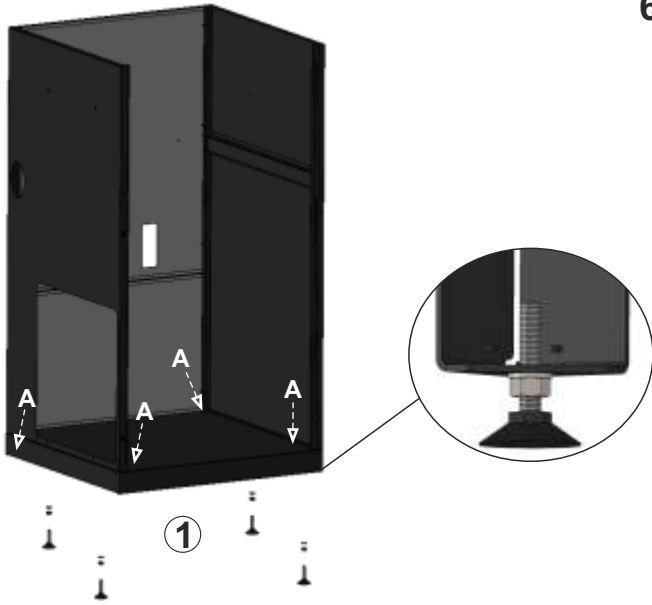


6x

1. Left outer side
2. Right outer side
3. Base

Connect the left and right outer side on base and fasten them with screws.

## 6. Assembling adjustable legs for height correction.



A - Nut M10  
and pad



1. Legs (x4)

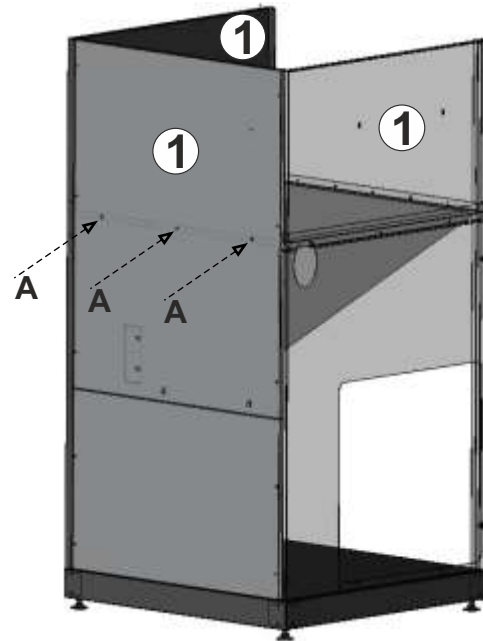
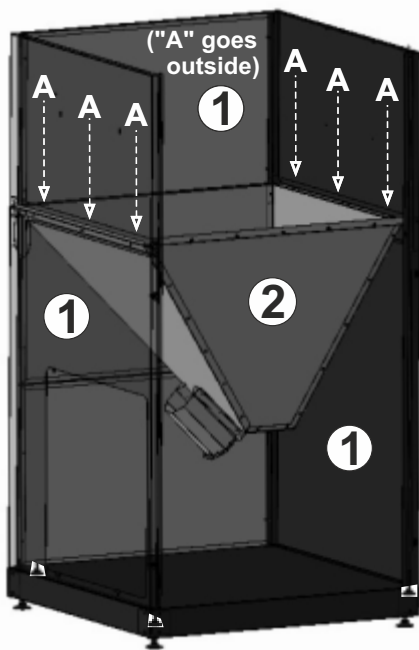
## 7. Connection of the inner part of the pellet tank

A - screw for steel  
3,9 x 9,5 mm

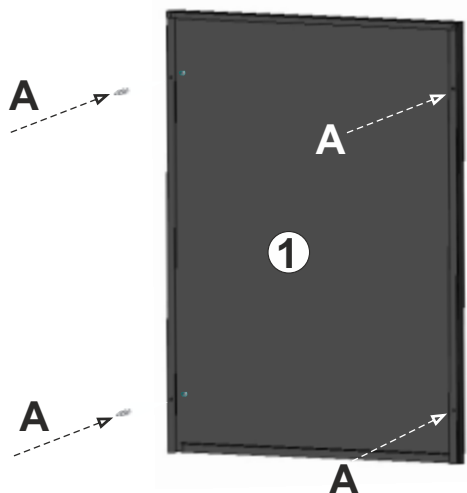


1. Outer part of the pellet tank  
2. Inner part of the pellet tank

The inner part of the pellet tank must be fastened with several screws on each side.



### 8. Adjusting snap holder



A - snap with nut and pad

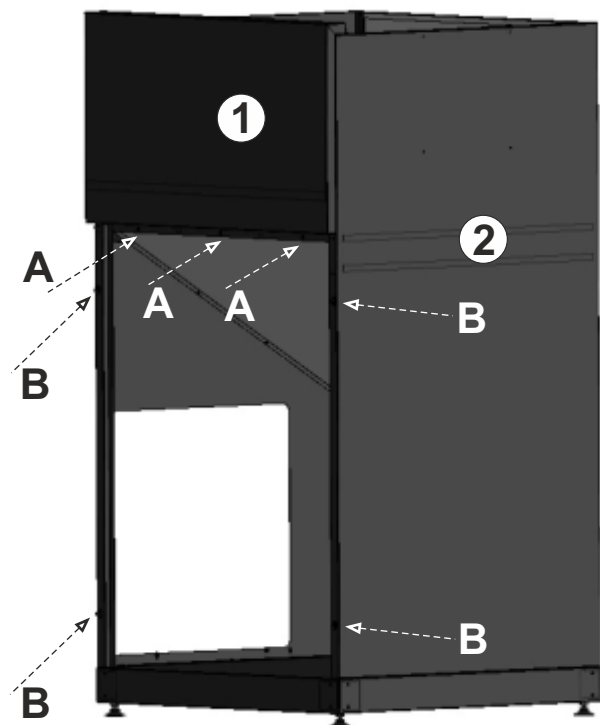
4x



1. Lower door

Bolt holder should be positioned in quadratic holes on lateral sides of lower door and tightened with nuts and pads.

### 9. Assemblage of the upper front side



A - screw for steel  
3,9 x 9,5 mm

5x



B - Bolt holder

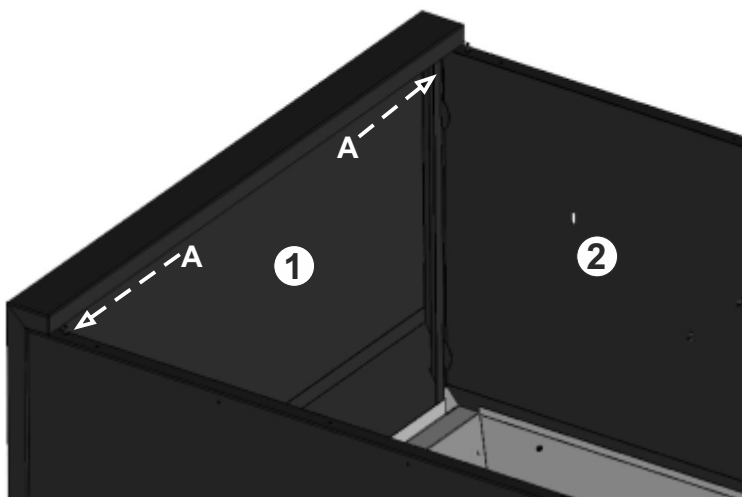
4x



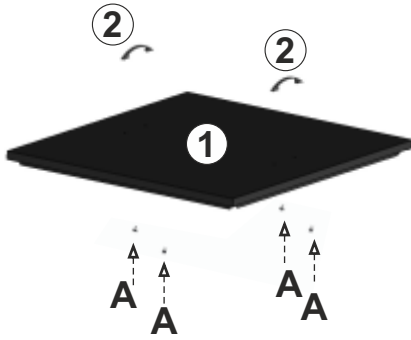
1. Upper front side  
2. Lateral sides

Upper front side must be attached in holes on lateral sides. Upper front side tighten with 3 screws on front lower side. In holes on lateral sides assemble with 4 bolt holders.

Upper front side tighten with 2 screws.



## 10. Assemblage of the tank cover (lid)



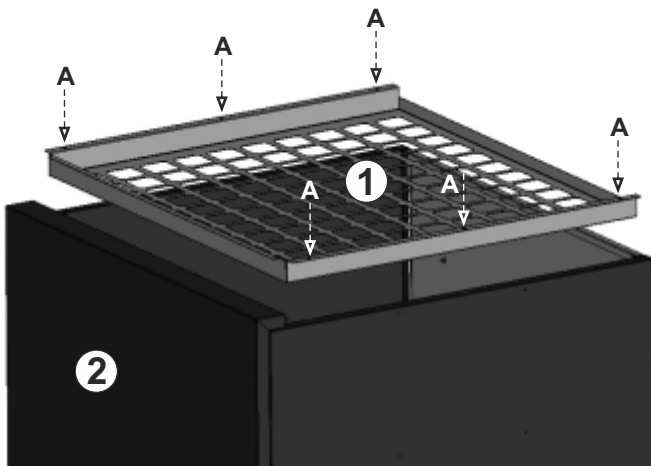
A - screw M4x6 mm  
with pad



1. Cover (lid)
2. Handle

Assemble handles and tighten them up with screws as shown in figure.

## 11. Assemblage of the tank protection



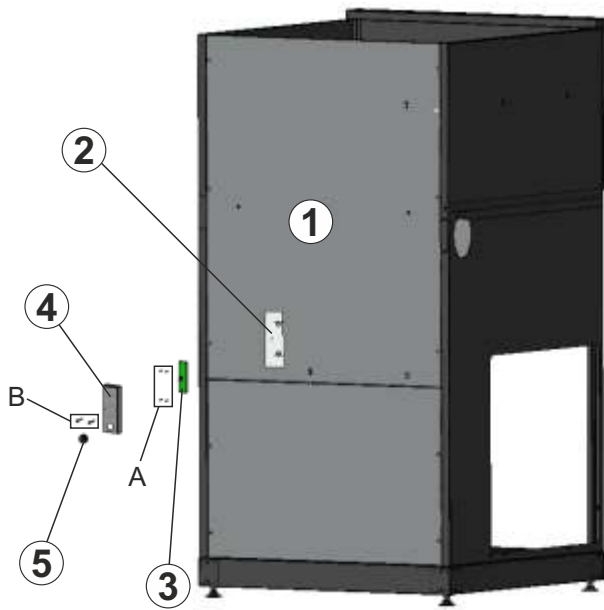
A - screw for steel  
3,9 x 9,5 mm



1. Tank protection
2. Pelet tank

On upper side of the pelet tank assemble tank protection as shown in Figure. Tank protection enables easier pellets filling into the tank.

## 12. Assemblage of the pellet level sensor



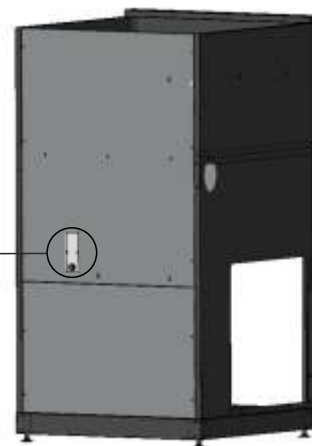
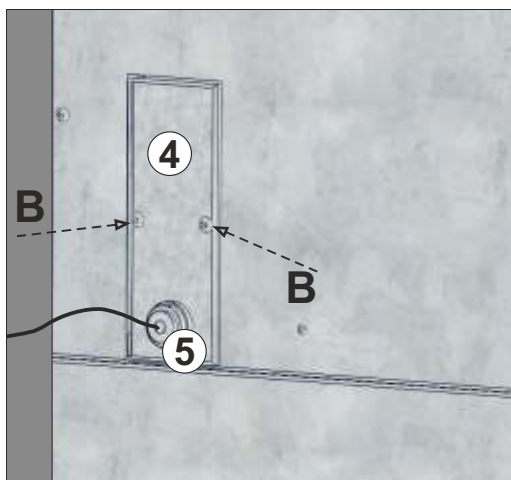
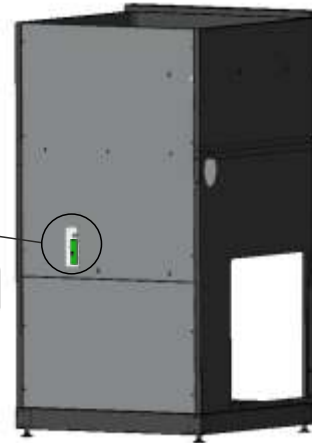
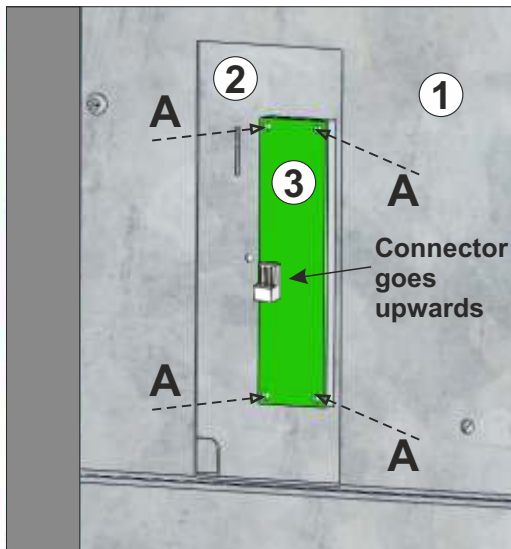
A - screw for steel  
2,9 x 13 mm

4x

B - screw for steel  
4,2 x 32 mm

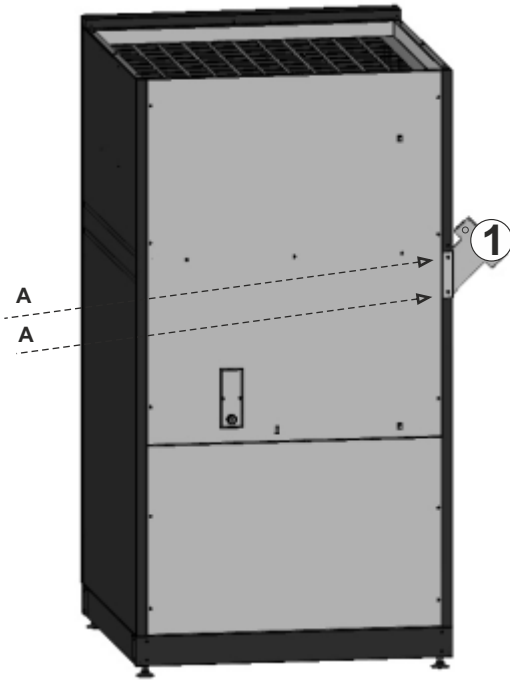
2x

1. Back upper side
2. Back inner side
3. Pellet level sensor
4. Protection cover
5. Plastic cable gland



Pellet level sensor need to be attached to the back inner side as shown in Figure. Finally, when the entire pellet tank is properly assembled, it is necessary to connect the cable of pellet level sensor to the connector on the boiler regulation (see PelTec II Lambda Technical instructions).

### 13. Assemblage the clamp holder for pellet screw feeder



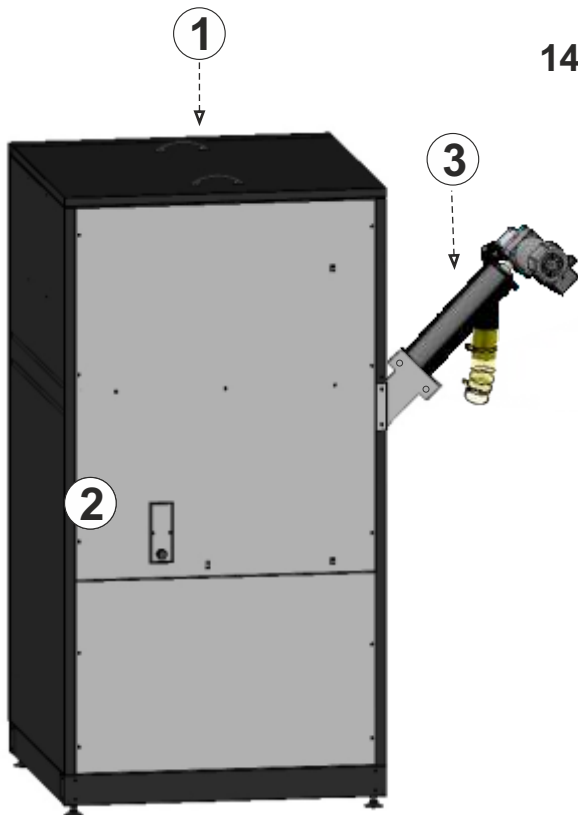
A - screw for steel  
3,9 x 9,5



1. Clamp holder for pellet screw feeder

Put the clamp holder at place as shown in figure and tighten them up with screws (A).

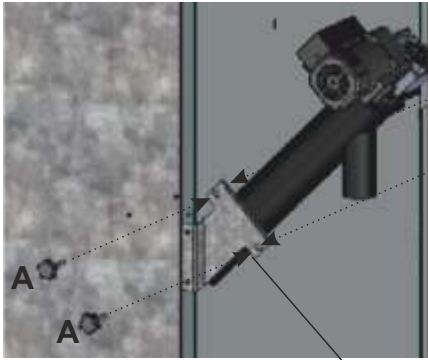
### 14. Assembly of the cover (lid) and the screw feeder



- 1. Cover (lid)
- 2. Pellet tank
- 3. Screw feeder

Put the cover on the upper side. Adjust feeder screw through the hole on left lateral side and tighten up the screw feeder holder.

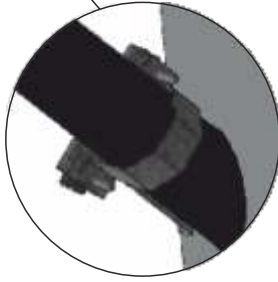
## 15. Tightening the pellet screw feeder with clamp



A - screw M8x40 with the plastic head



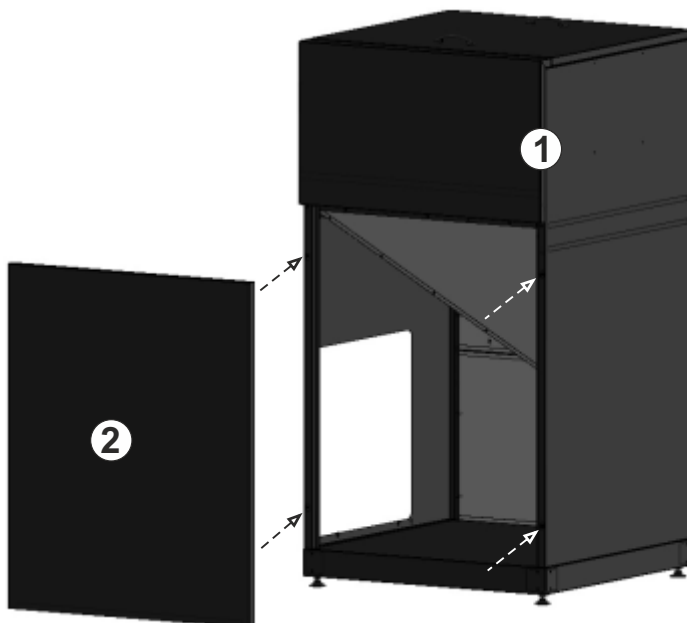
1. Clamp for pellet screw feeder



Tighten up the clamp with screws (A).

## 16. Assembly of lower door

1. Pellet tank
2. Front lower door

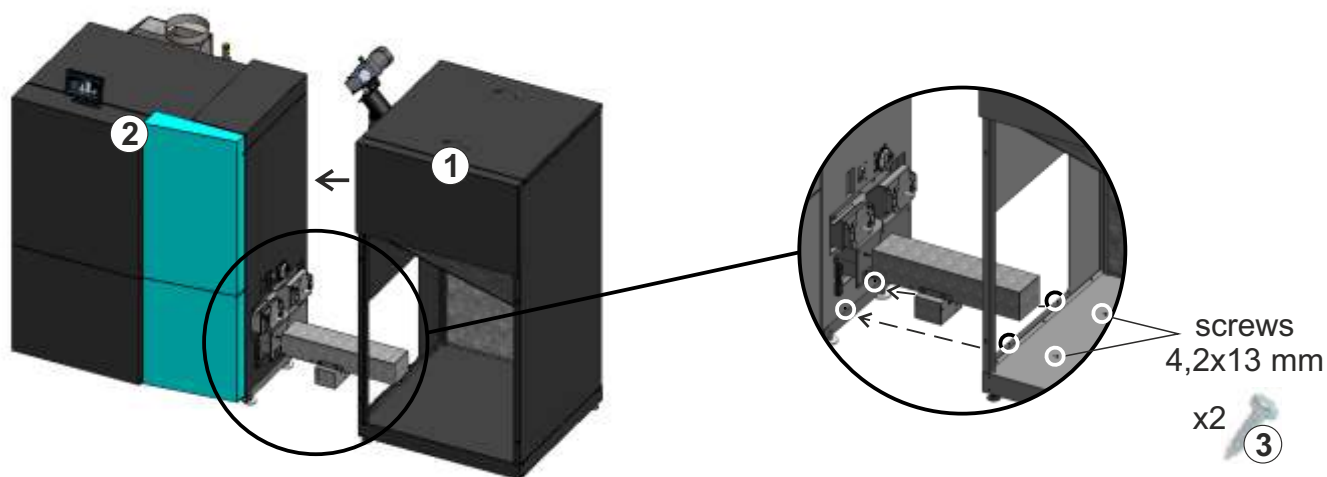


On holes where bolt holder are adjust, put the front lower door.

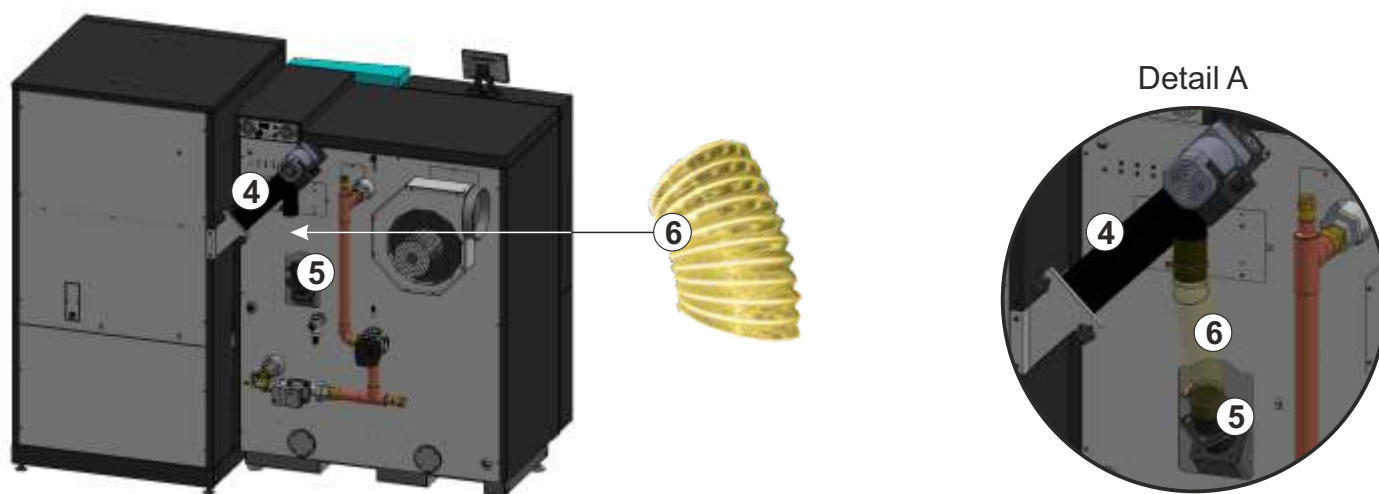
## 5.0. CONECTION TO THE BOILER AND MAINTENANCE

Pellet tank is adjust on the right side to the boiler, mandatory on solid base in line with boiler. Screw feeder must be adjust so the pellet's could fall in free fall, so that pellet delivery would not be blocked. Pellet refueling is done from the upper side (open the tank cover first).

Bring pellet tank (1) closer to the boiler (2) and tighten them with screws (3).

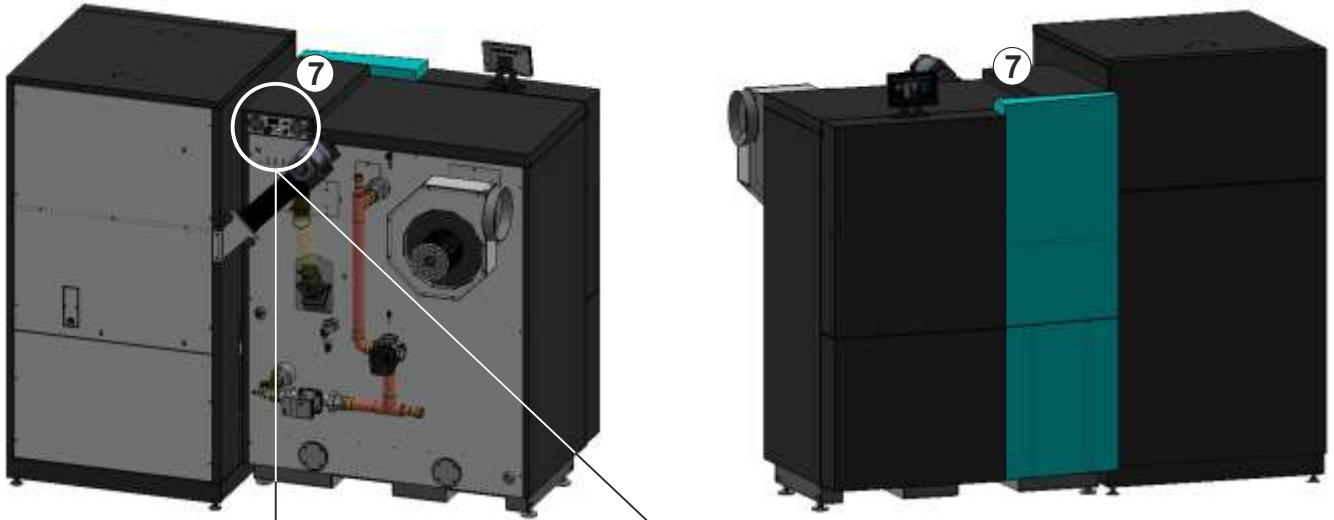


Connect screw feeder (4) with pellet feeding box (5) (with flexible PVC tube (6)).



**Connect to the boiler control unit (7)**

Connect the 3-pin connector of the feeder screw to the connector of boiler regulation (7a). Connect the pellet sensor connector to the boiler regulation (7b) (see Technical instructions PelTec II Lambda, Electrical connections).



Detail 7a.



Detail 7b.

---

# Centrometal

HEATING TECHNIQUE



Centrometal d.o.o. shall not be responsible for possible incorrect data caused by printing errors or error made in transcription and all figures and diagrams are for explanatory purposes only and relevant adjustment have to be made at the spot. In any case, it reserves the right to modify its products as deemed to be required and useful without any prior notification.

**Centrometal d.o.o. Glavna 12, 40306 Macinec, Croatia**

central tel: +385 40 372 600, fax: +385 40 372 611  
service tel: +385 40 372 622, fax: +385 40 372 621

**www.centrometal.hr**  
**e-mail: servis@centrometal.hr**