



TECHNICAL CATALOGUE

MAGNETIC DIRT SEPARATORS

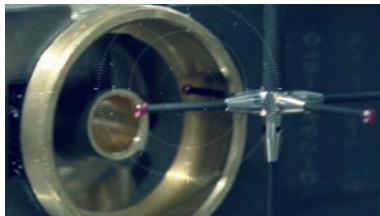
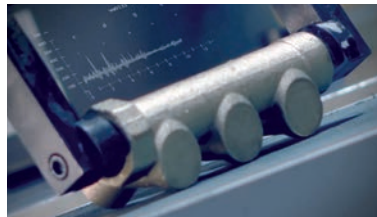
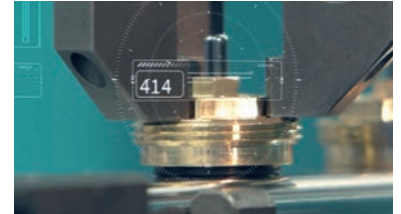
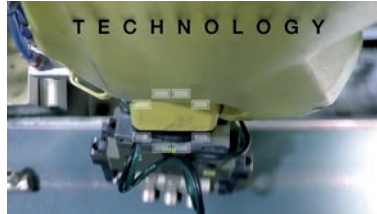


> THE COMPANY

ITAP SpA, founded in Lumezzane (Brescia) in 1972, is currently one of the leading production companies in Italy of **valves, fittings and distribution manifolds** for plumbing and heating systems.

Thanks to fully automated production processes, with 85 tooling machines and 55 assembly lines, we are able to produce 400,000 pieces per day.

Our innate pursuit for innovation and observance of technical regulations is supported by the company certification ISO 9001: 2015. The company has always considered its focus on quality as the main tool to obtain significant business results: today ITAP SpA is proud to offer products bearing the approval of numerous international certifying bodies.



> ITAP products have obtained approvals by more than 30 certification bodies from all over the world.





MAGNETIC DIRT SEPARATORS

188 Magnetic compact dirt separator I-MAG



SIZE	PRESSURE	CODE	PACKING
3/4"	3bar/43,5psi	1880034	1/30

TECHNICAL SPECIFICATIONS

Polymer body.

Stainless steel AISI 304 cartridge

Neodymium magnet: 12000 G.

Maximum working pressure: 3 bar.

Maximum working temperature: 90°C.

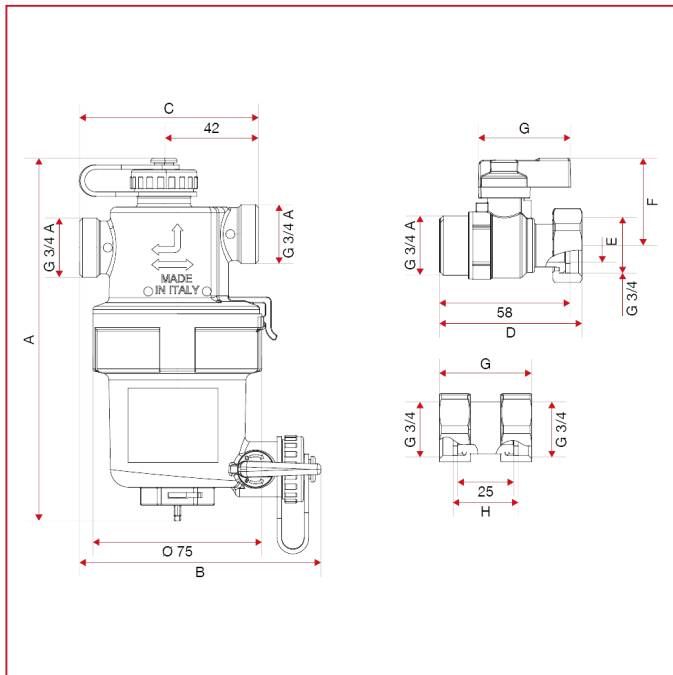
Equipped with adjusting female fitting and ball valve with swiveling nut.

Threads: ISO 228 (equivalent to DIN EN ISO 228 and BS EN ISO 228).



MAGNETIC DIRT SEPARATORS

OVERALL DIMENSIONS



	3/4"
A	161
B	107,2
C	79,5
D	63,3
E	15
F	38,75
G	41
CH	29
Kg/cm ² bar	3
LBS - psi	43,5



MAGNETIC DIRT SEPARATORS

188S Magnetic dirt separator I-MAG XL



SIZE	PRESSURE	CODE	PACKING
3/4"	3bar/43,5psi	1880034S	1/7
1"	3bar/43,5psi	1880100S	1/7

TECHNICAL SPECIFICATIONS

Polymer body.

Stainless steel AISI 304 cartridge

Neodymium magnet: 14000 G.

Maximum working pressure: 3 bar.

Maximum working temperature: 90°C.

Threads body: ISO 228 (equivalent to DIN EN ISO 228 and BS EN ISO 228);

Threads ball valve:

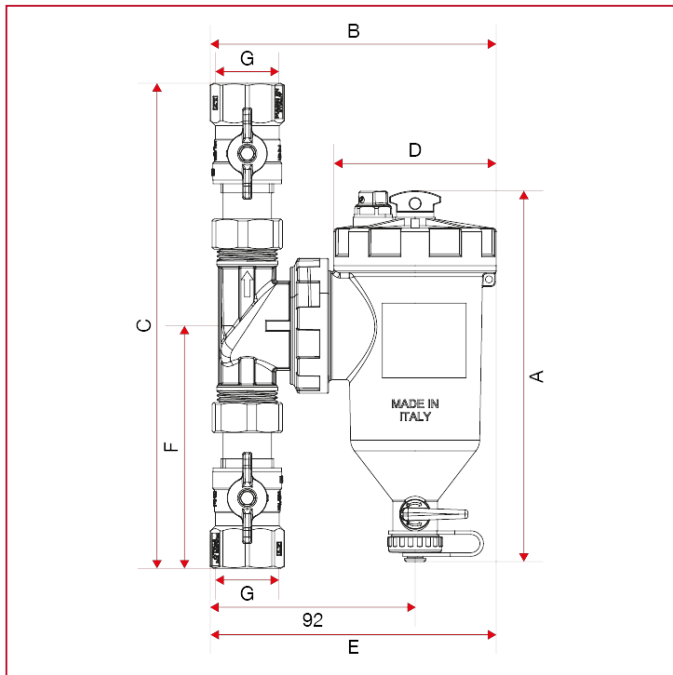
female connection (swiveling nut): ISO 228 (equivalent to DIN EN ISO 228 and BS EN ISO 228);

female connection (pipeline): ISO 7/1 Rp parallel (equivalent to DIN EN 10226-1 and BS EN 10226-1).



MAGNETIC DIRT SEPARATORS

OVERALL DIMENSIONS



	3/4"	1"
A	203,5	203,5
B	155	157
C	242,5	266
D	89	89
E	136,5	136,5
F	121	133
G	3/4"	1"
Kg/cm ² bar	3	3
LBS - psi	43,5	43,5



MAGNETIC DIRT SEPARATORS

COP188S Insulation shells for magnetic dirt separator IMAG-XL



CODE	PACKING
COP188S	1/1

TECHNICAL SPECIFICATIONS

Insulation shells made of expanded polyethylene.



ITAP S.p.A.
Via Ruca 19
25065 Lumezzane
Brescia (ITALY)
Tel 030 8927011
Fax 030 8921990
www.itap.it - info@itap.it

We reserve the right to make improvements and changes to the products described herein and to the relative technical data, at any time and without forewarning.

rev. 20210116