

LK 525 MultiZone 2W

- Simple and flexible assembly with clip system
- Actuators are available as normally closed (NC) or normally open (NO). Direction is displayed on the actuator



Technical Data

Working temperature:	Min. 5 °C/Max. 80 °C (90 °C briefly)
Ambient temperature:	Min. 1 °C/Max. 60 °C
Max. working pressure:	1.0 MPa (10 bar)
Max. differential pressure:	100 kPa (1 bar)
Leakage:	< 0.1% of Kvs at 100 kPa
Angle of rotation:	90°/360°
Media 1:	Water - Glycol mixture max. 50% Ethanol mixture max. 30%
Thread standard:	Rp - female thread, G - male thread, ISO 228/1
Actuator:	7 VA, 230 VAC, 50 Hz
Operation time:	12 seconds (90°)
Electrical connection:	Fixed wire
Signal connector:	Single pole SPST
Protection type:	IP 44
Material, valve body:	Brass EN 12165 CW617N
Material, external cover:	Brass EN 12164 CW614N
Material, slide/spindle:	PPS Composite
Cable specification:	Dimension 3 x 0,75 mm ²
Wire colors:	Blue, brown, black
External insulation:	PVC
Approvals:	CE

LK 525 MultiZone is a motorized 2-way zone valve for application in heating systems in which the flow through one or more zones is to be controlled. The zone valve has On/Off control and is designed with a turning slide which allows it to withstand a larger pressure difference and reduces the risk of it stalling after a long intermission. On the upper surface of the actuator is an indicator that shows which port is open or closed.

The zone valve must not be installed with the motor underneath the valve unit.

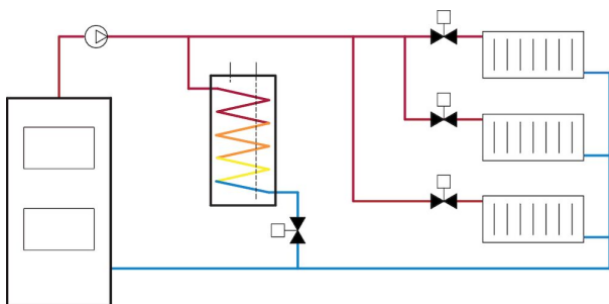
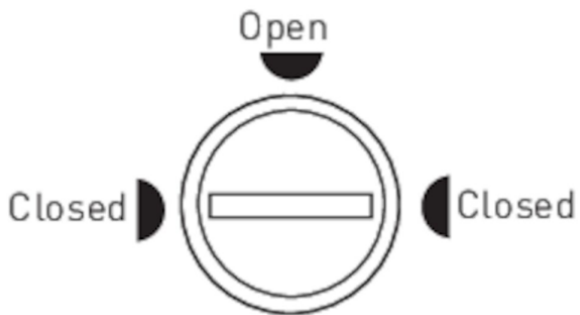
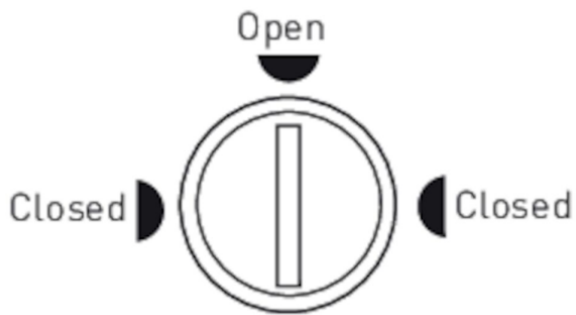
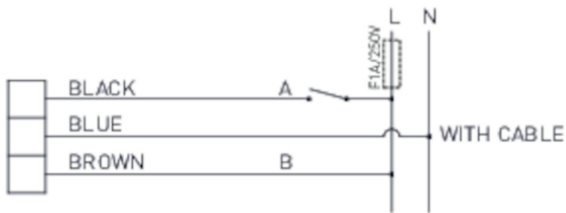


In case of a power failure, the valve cone stays in its current position. When the power is switched off, the valve can be manually set. Remove the motor and turn the spindle to your selected position. When the power is restored, turn the valve back to its original position and reinstall the motor.

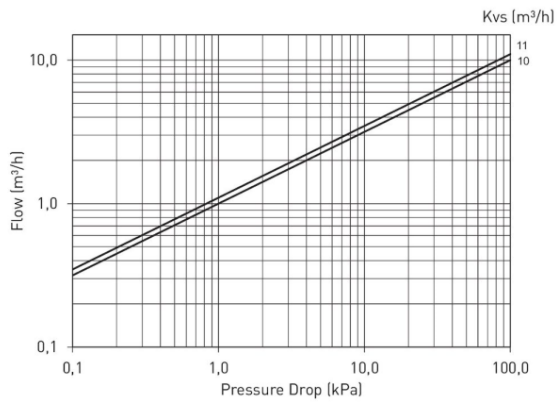
Please note that the motor can be installed in only one position.

The valve requires no maintenance but the installation should be checked regularly.

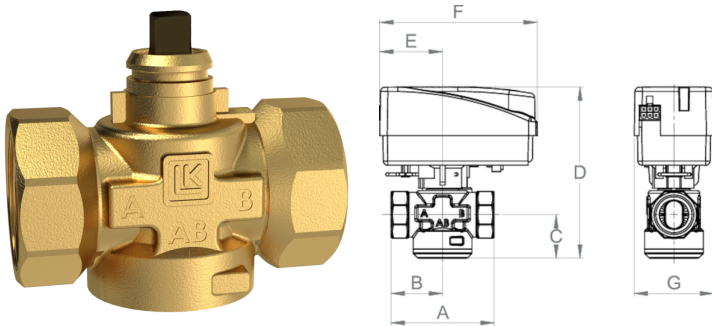
Wiring Diagram



Capacity Diagram

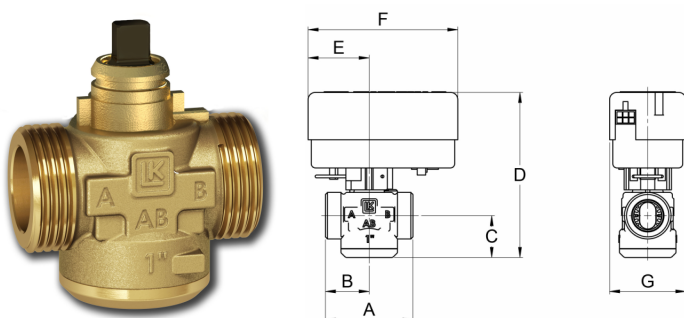


LK 525 2W - Female thread



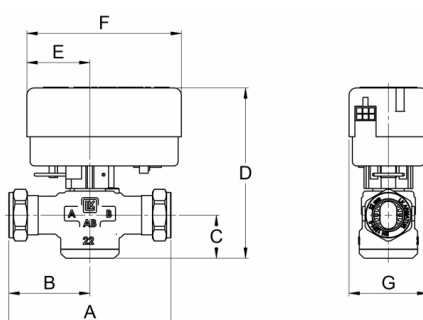
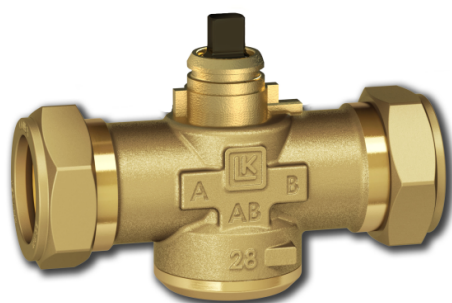
Article	Type	Dim.	Kvs m³/h	A mm	B mm	C mm	D mm	E mm	F mm	G mm	Weight (kg)
066246	NO	F ¾"	10,0	70	35	30	118	43	107	54	0.2
066247	NO	F 1"	11,0	74	37	30	118	43	107	54	0.3
066248	NO	F 1¼"	11,0	84	42	30	118	43	107	54	0.6
066423	NC	F ¾"	10,0	70	35	30	118	43	107	54	0.2
066424	NC	F 1"	11,0	74	37	30	118	43	107	54	0.3
066425	NC	F 1¼"	11,0	84	42	30	118	43	107	54	0.6

LK 525 2W - Male thread



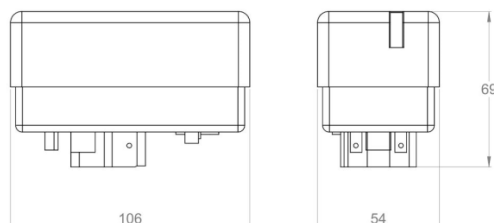
Article	Type	Dim.	Kvs m ³ /h	A mm	B mm	C mm	D mm	E mm	F mm	G mm	Weight (kg)
066112	NC	M ¾"	10,0	70	35	30	118	43	107	54	0.2
066102	NC	M 1"	11,0	62	31	30	118	43	107	54	0.3
066103	NC	M 1¼"	11,0	74	37	30	118	43	107	54	0.6
066115	NO	M ¾"	10,0	70	35	30	118	43	107	54	0.2
066113	NO	M 1"	11,0	62	31	30	118	43	107	54	0.3
066114	NO	M 1¼"	11,0	74	37	30	118	43	107	54	0.6

LK 525 2W - Compression fitting



Article	Type	Dim.	Kvs m ³ /h	A mm	B mm	C mm	D mm	E mm	F mm	G mm	Weight (kg)
066104	NC	22 mm	11,0	110	55	30	118	43	107	54	0.4
066105	NC	28 mm	11,0	110	55	30	118	43	107	54	0.6
066116	NO	22 mm	11,0	110	55	30	118	43	107	54	0.4
066119	NO	28 mm	11,0	110	55	30	118	43	107	54	0.6

LK 525 - Actuator

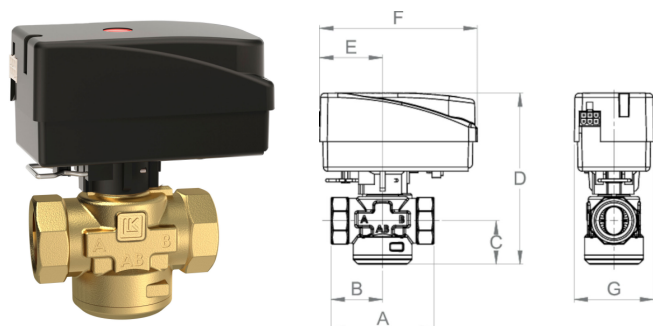


Article	Type	Connection	Torque	Weight (kg)
066111	NC	EMV 110-K SPST Actuator 230 VAC, Cable 1 m	5 Nm	0.3



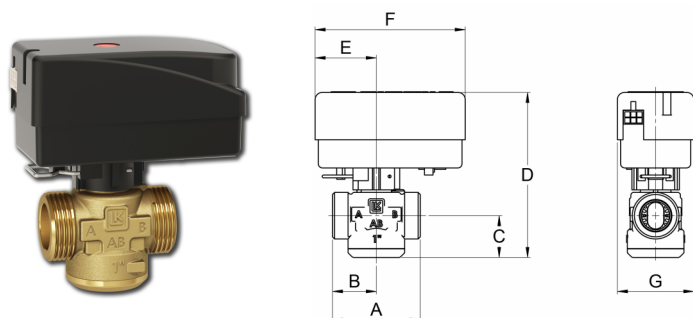
Article	Type	Connection	Torque	Weight (kg)
066199	NO	EMV 110-K SPST Actuator 230 VAC, Cable 1 m	5 Nm	0.3

LK 525 2W SET – incl. Actuator 230VAC 1m Cable - Female thread



Article	Type	Dim.	Kvs m ³ /h	Torque	A mm	B mm	C mm	D mm	E mm	F mm	G mm	Weight (kg)
066442	NC	F ¾"	10,0	5 Nm	70	35	30	118	43	107	54	0.5
066443	NC	F 1"	11,0	5 Nm	62	31	30	118	43	107	54	0.6
066444	NC	F 1¼"	11,0	5 Nm	74	37	30	118	43	107	54	0.9

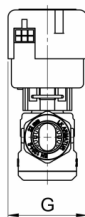
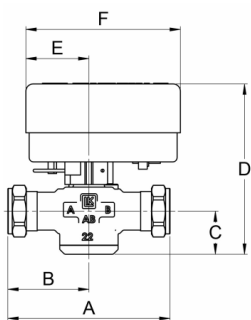
LK 525 2W SET – incl. Actuator 230VAC 1m Cable - Male thread



Article	Type	Dim.	Kvs m ³ /h	Torque	A mm	B mm	C mm	D mm	E mm	F mm	G mm	Weight (kg)
066437	NC	M ¾"	10,0	5 Nm	70	35	30	118	43	107	54	0.5
066438	NC	M 1"	11,0	5 Nm	62	31	30	118	43	107	54	0.6
066439	NC	M 1¼"	11,0	5 Nm	70	35	30	118	43	107	54	0.9



LK 525 2W SET – incl. Motor 230VAC 1m Cable - Compression fitting



Article	Type	Dim.	Kvs m ³ /h	Torque	A mm	B mm	C mm	D mm	E mm	F mm	G mm	Weight (kg)
066440	NC	22 mm	11,0	5 Nm	110	55	30	118	43	107	54	0.7
066441	NC	28 mm	11,0	5 Nm	110	55	30	118	43	107	54	0.9

