

## NON-ENAMELED BUFFER TANKS WITH ONE BLACK AND ONE STAINLESS STEEL HEAT EXCHANGER (BCWS)



Product type: indirect

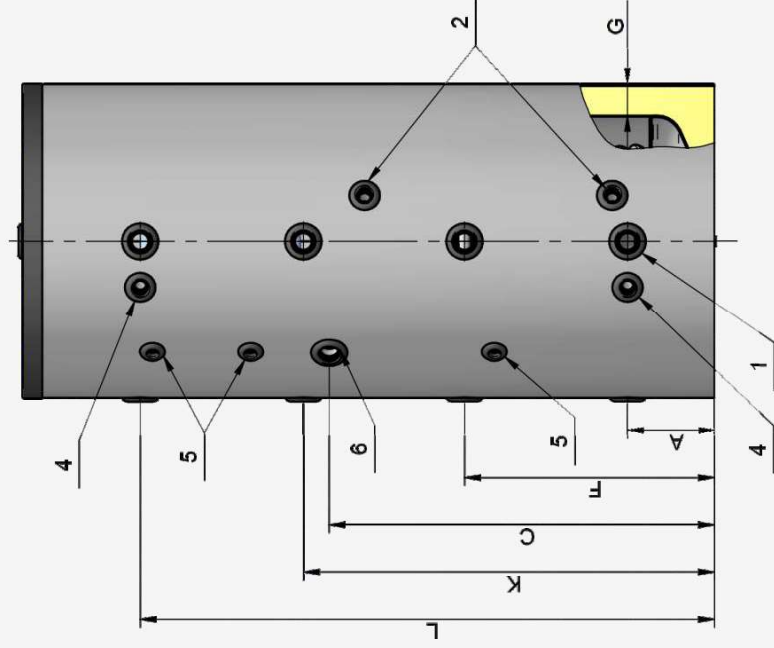
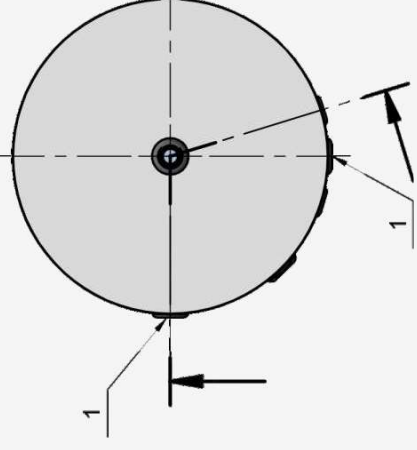
Installation: floor standing

Capacity: 300, 500, 750, 1000, 1500,  
2000 l.

Water tank: non-enameled

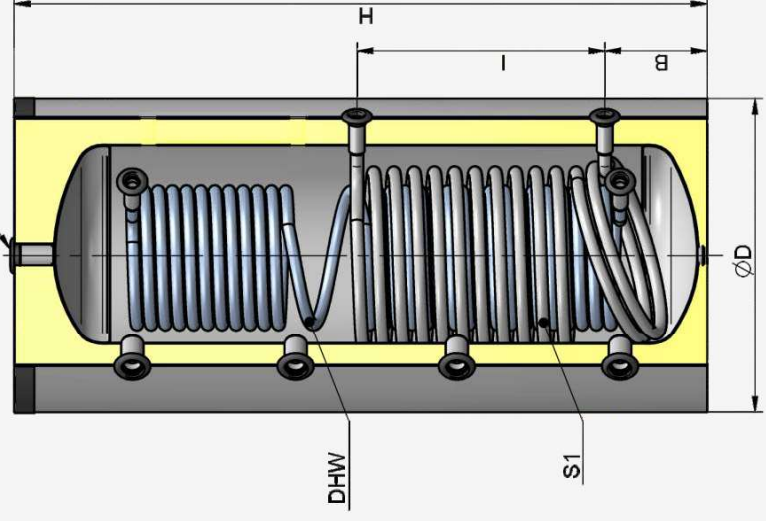
The model allows two alternative heat sources to give out energy to the buffer tank /for example solar system and a boiler/.

The instantaneous water heating mode provides DHW for household needs.



### DESCRIPTION

- Minimal heat losses;
- Thick CFC-free insulation from environmentally friendly high density polyurethane foam formula for models from 300 to 500 liters.
- Thick EPS insulation of expanded polystyrene with high density graphite microparticles for models from 750 to 2000 liters.
- Low situated heat exchanger with large surface, working in an instantaneous mode;
- AISI 316L stainless steel heat exchanger for heating of potable water in an instantaneous mode;
- Zipped lining of wear resistant synthetic fabric in INOX color;
- Connections, convenient for installation and maintenance;
- Thermostat socket;
- Circulation socket;
- Venting socket;



# NON-ENAMELED BUFFER TANKS WITH ONE BLACK AND ONE STAINLESS STEEL HEAT EXCHANGER (BCWS)



## SPECIFICATIONS

Parameters	...	BCWS 300K	BCWS 500K80	BCWS 750F	BCWS 1000F	BCWS 1500F	BCWS 2000F
Model	...	300	500	750	1000	1500	2000
Volume group	...	B	B	-	-	-	-
Energy efficiency class	W	51	72	127	138	162	186
Standing loss	Mpa	0,3	0,3	0,3	0,3	0,3	0,3
Rated pressure	L	247	443	681	910	1420	1936
Volume	mm	85	80	80	80	100	100
Insulation thickness	kg	92	146	184	255	353	428
Gross weight							
<b>Heat exchanger</b>							
Surface area S1	m <sup>2</sup>	1,12	1,85	2,03	3,04	3,04	4,25
Volume S1	L	5,44	12,15	13,34	19,95	19,95	27,94
Pressure loss	mbar	50	40	50	70	70	80
Surface area heat exchanger DHW	m <sup>2</sup>	3,03	4,65	5,16	7,50	9,00	11,24
Volume heat exchanger DHW	L	16,64	25,72	28,52	41,61	49,93	62,41
<b>Connections</b>							
1: Inlet / Outlet		G1 1/2 F	G2 F	G2 F	G2 F	G2 F	G2 F
3: S1		G3/4 F	G1 F	G1 F	G1 F	G1 F	G1 F
4: Heat-exchanger DHW		G1 F	G1 F	G1 F	G1 F	G1 F	G1 F
5: Socket for thermostat		G1/2 F	G1/2 F	G1/2 F	G1/2 F	G1/2 F	G1/2 F
6: Additional socket		G1 1/2 F	G1 1/2 F	G1 1/2 F	G1 1/2 F	G1 1/2 F	G1 1/2 F
7: Inlet / Outlet		G3/4 F	G1 1/4 F	G1 1/4 F	G1 1/4 F	G2 F	G2 F
<b>Dimensions</b>							
A	mm	205	220	330	330	385	395
B	mm	235	260	360	365	425	435
C	mm	835	960	890	1045	1220	1230
D	mm	670	800	1010	1010	1250	1400
F	mm	575	635	645	755	845	855
G	mm	85	80	80	80	100	100
H	mm	1595	1765	1665	2000	2210	2255
I	mm	530	630	470	630	730	730
K	mm	945	1045	960	1185	1305	1315
L	mm	1315	1460	1270	1610	1765	1775

