



reventon
INDUSTRIAL SOLUTIONS

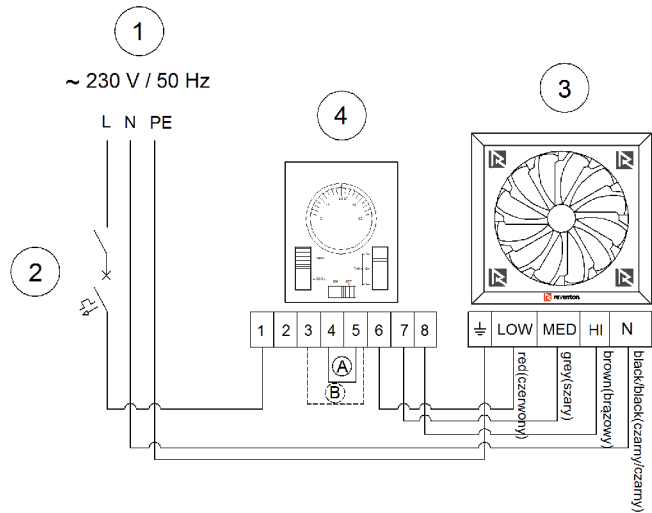
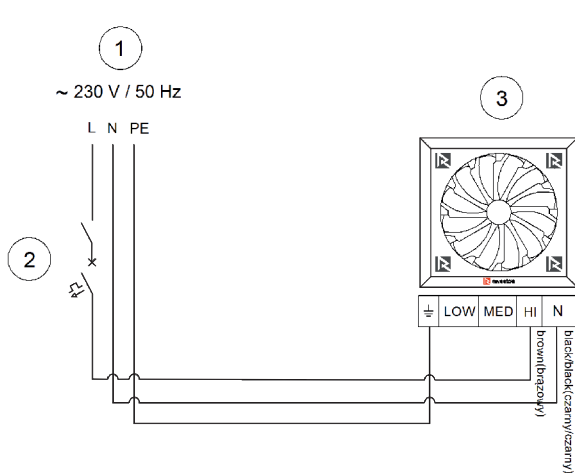
SCHEMES



CONNECTION SCHEMES

Desctratification fan HC-3S

1. Power
 2. Main switch, overcurrent circuit bresker*
 3. Destratification fan HC-3S
 4. 3-step controller with room thermostat HC3S
- * main switch and safety fuses are not incouded in the set



AIR WATER HEATERS IN EPP CASING HC-3S SERIES

LEGEND:

1. Power
2. Main switch, overcurrent circuit breaker *
3. Air water heater Reventon HC
4. 3-stage speed controllers with thermostat

A-work in continuous mode

B-operation in thermostatic mode

5. Two-way valve with actuator HC ¾ "

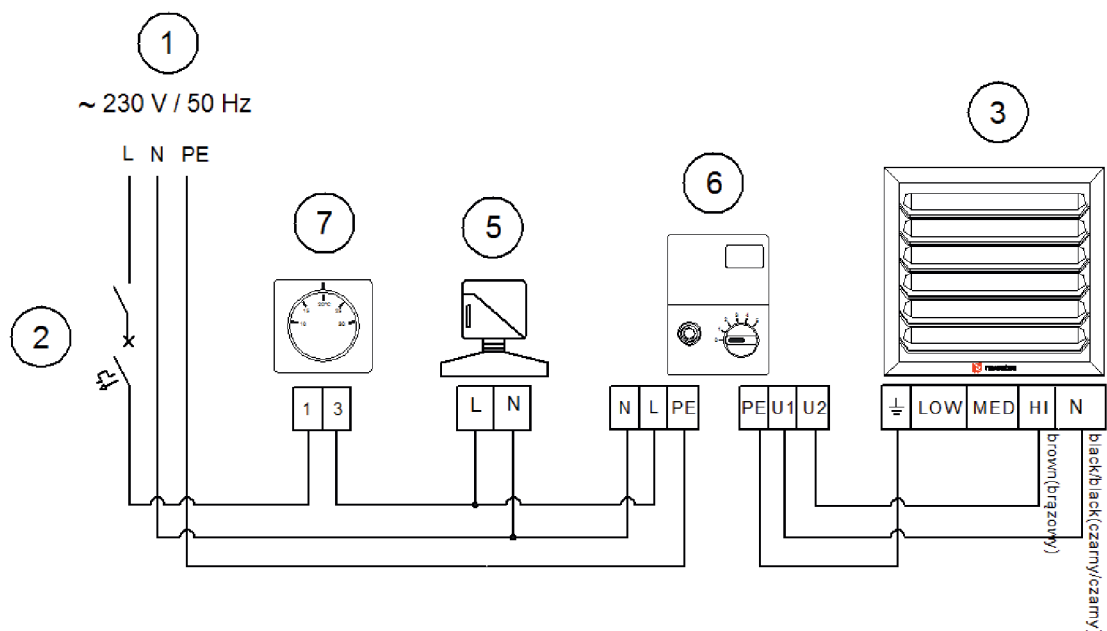
6. Fan speed controller HC

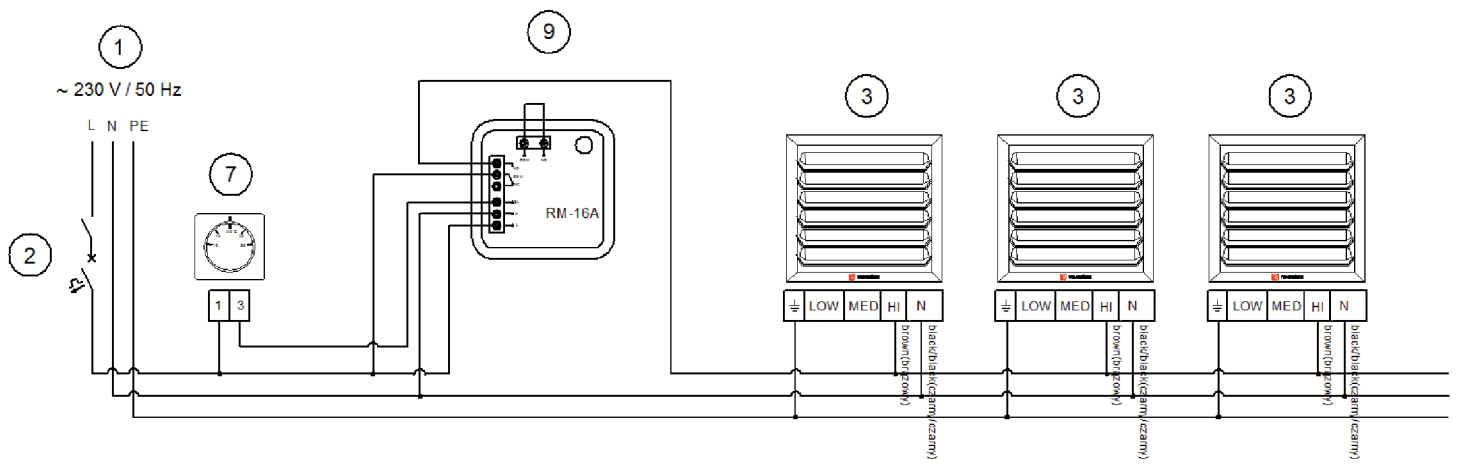
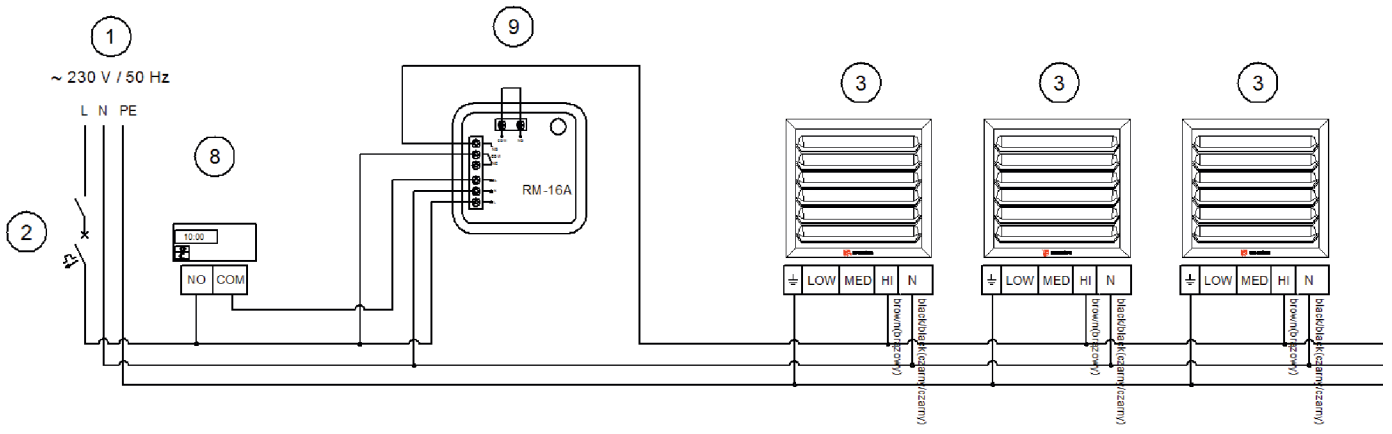
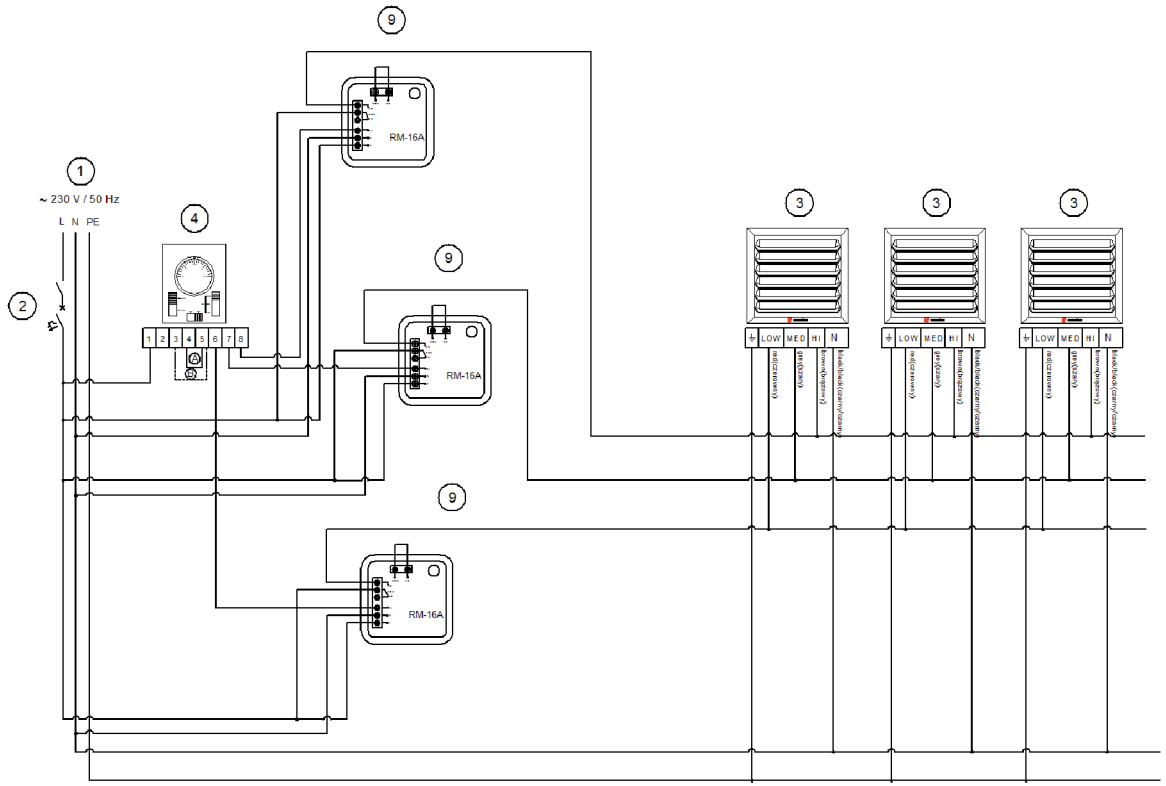
7. Manual thermostat HC

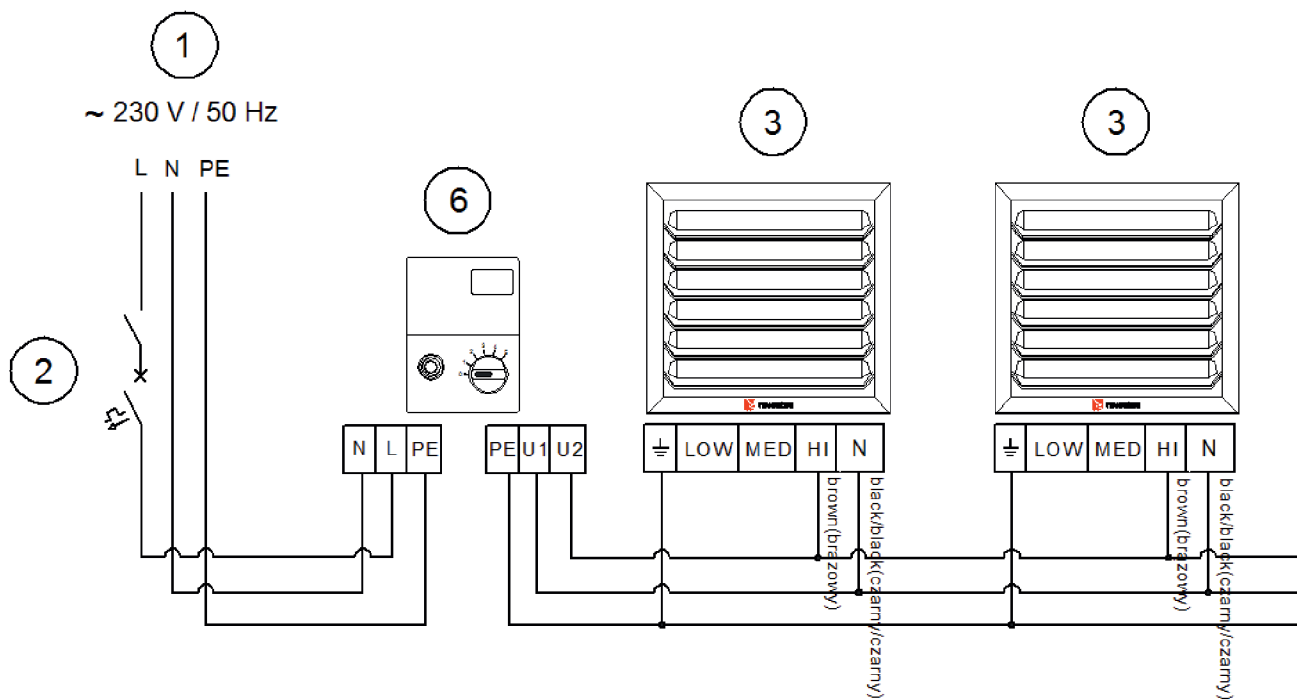
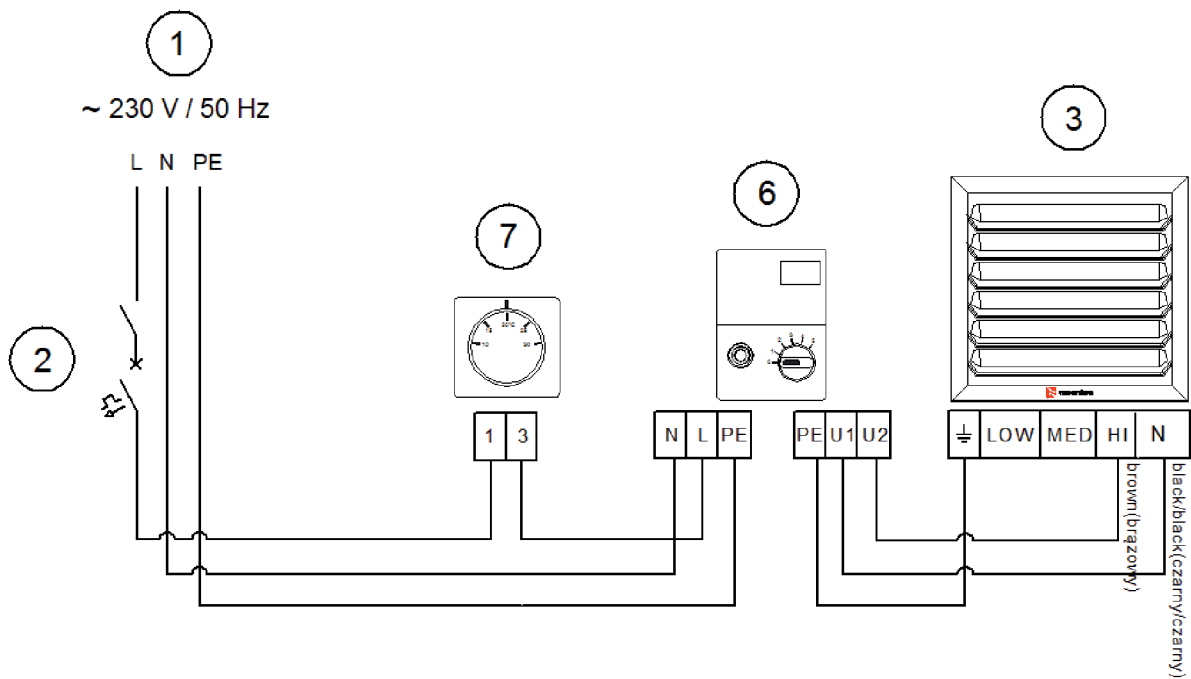
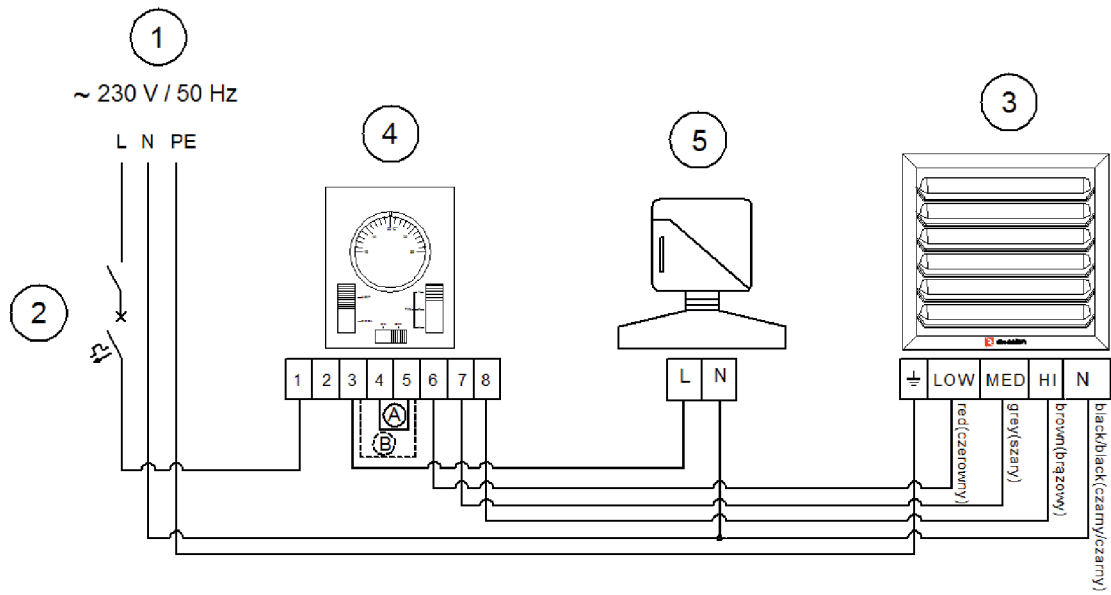
8. Digital programmable thermostat HC

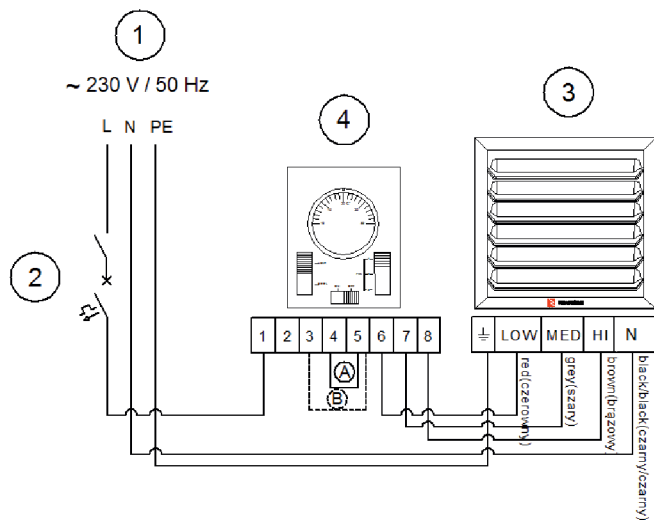
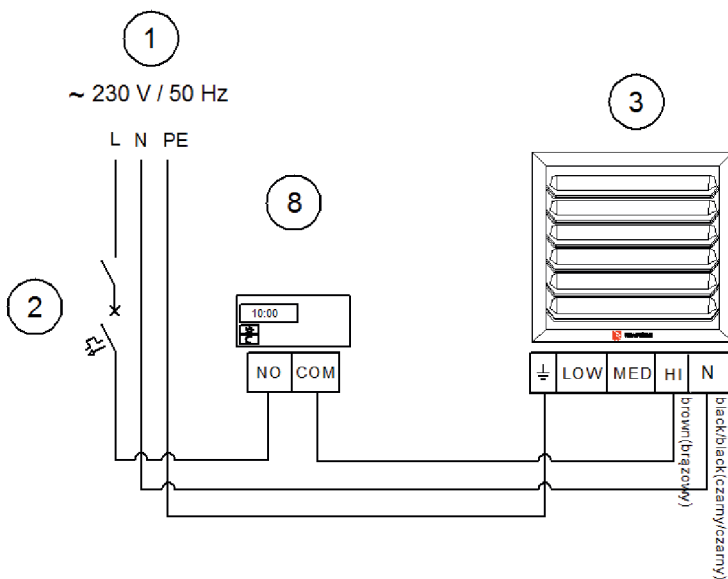
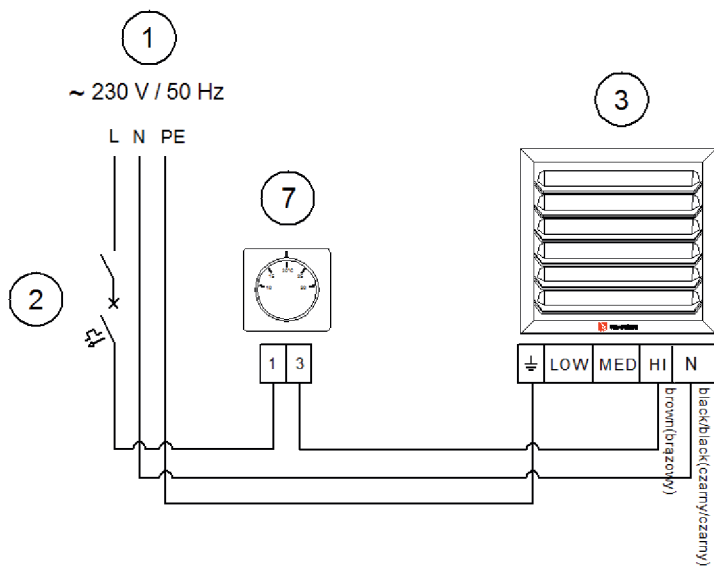
9. Relay module RM-16A

* main switch and safety fuses are not included in the set









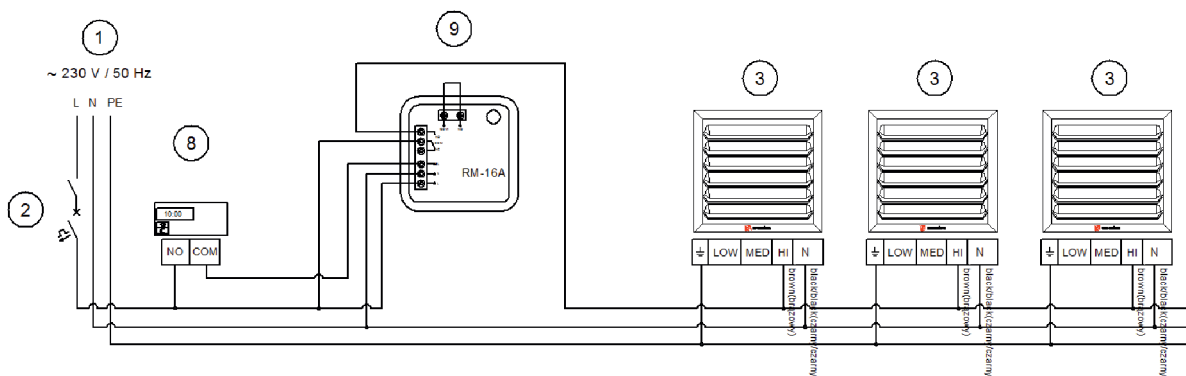
Farmer HCF in EPP casing

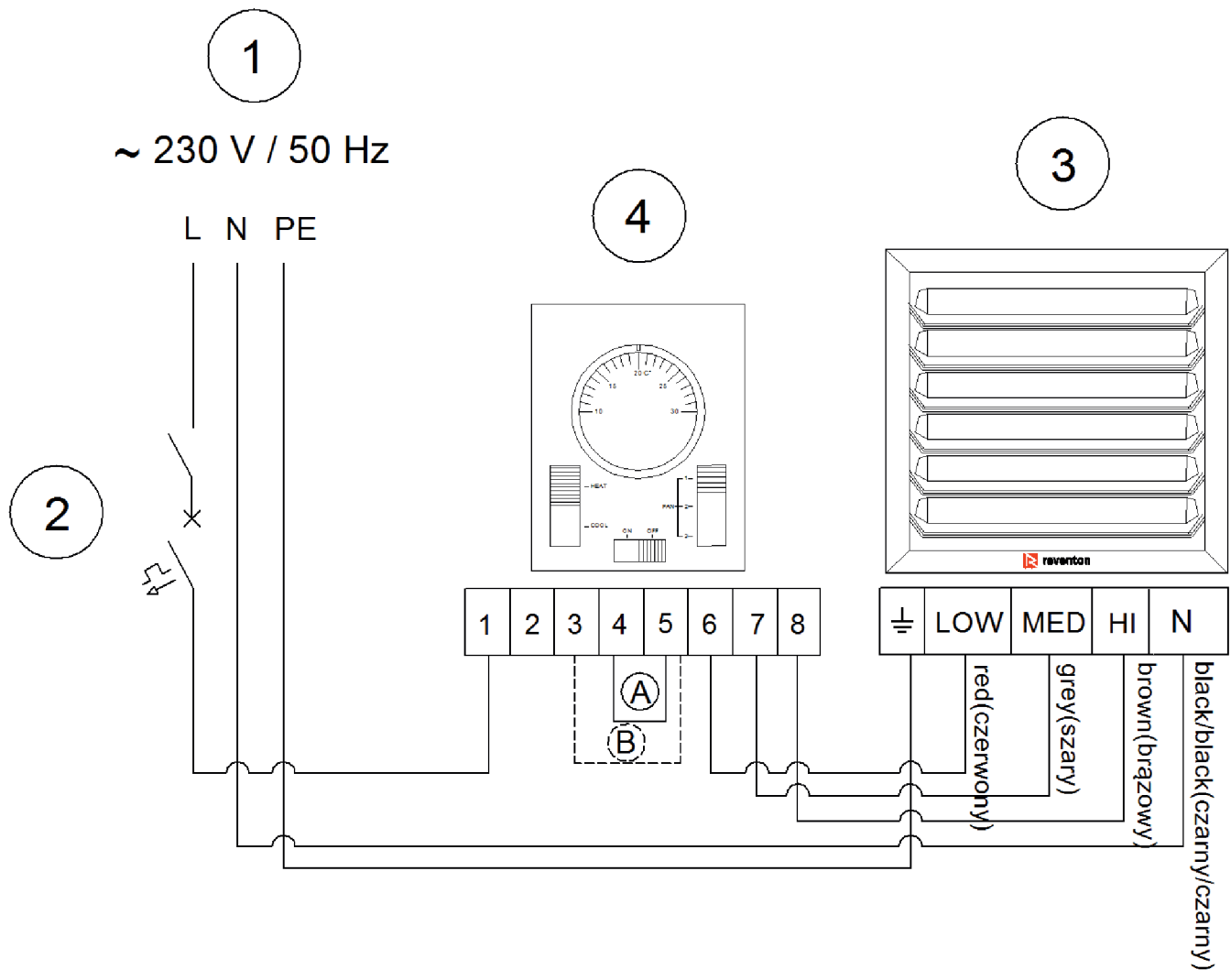
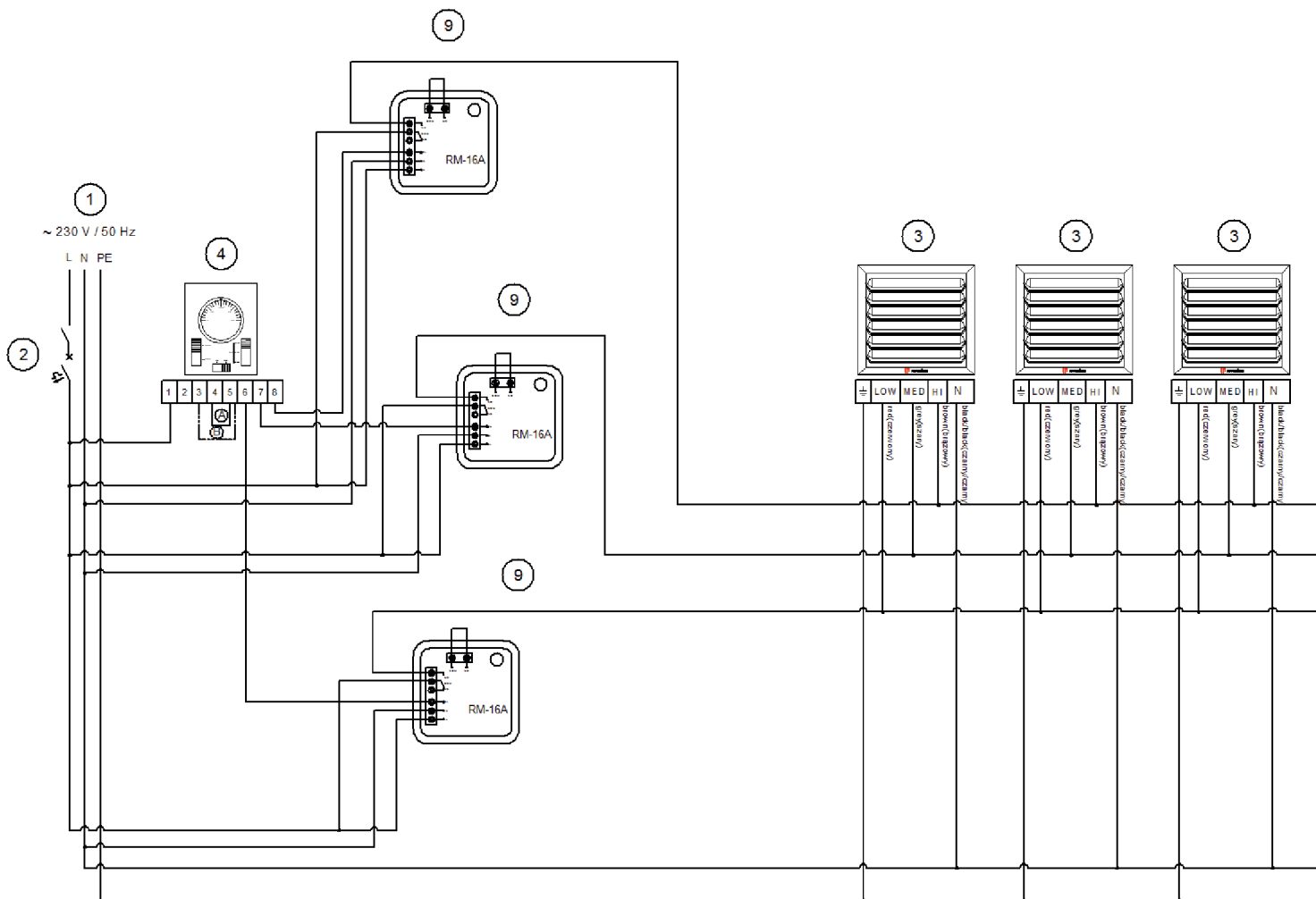
LEGEND:

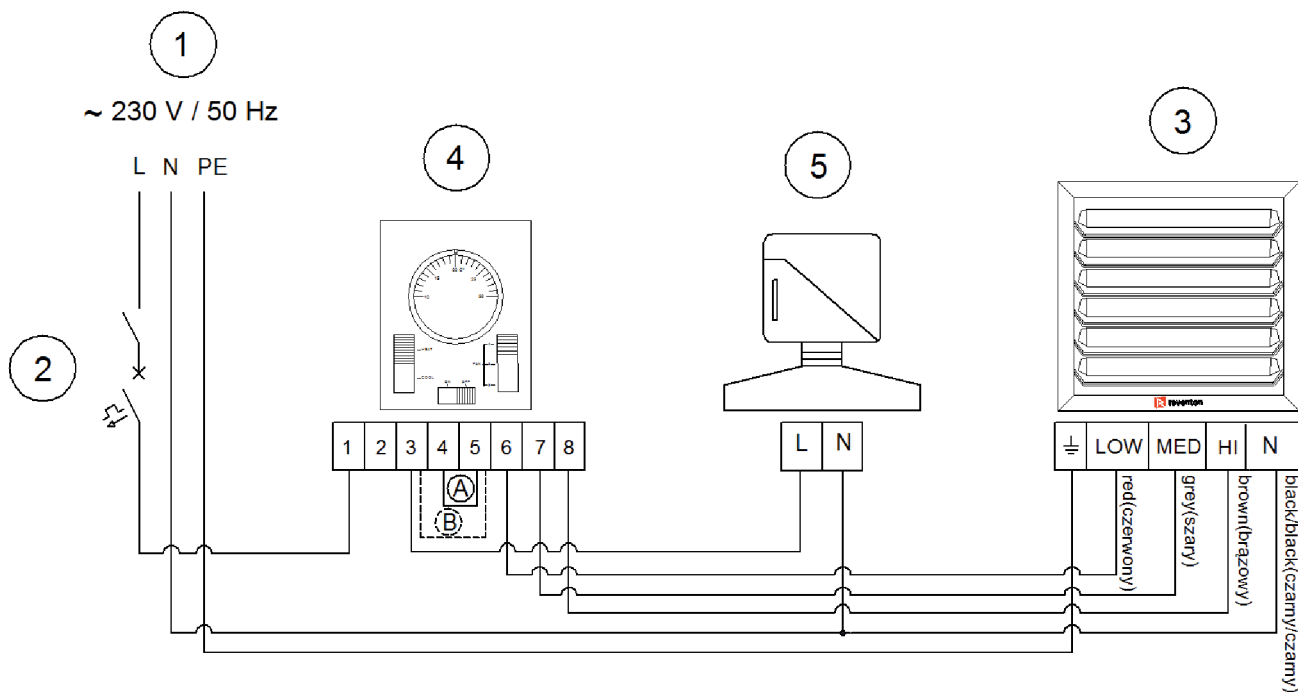
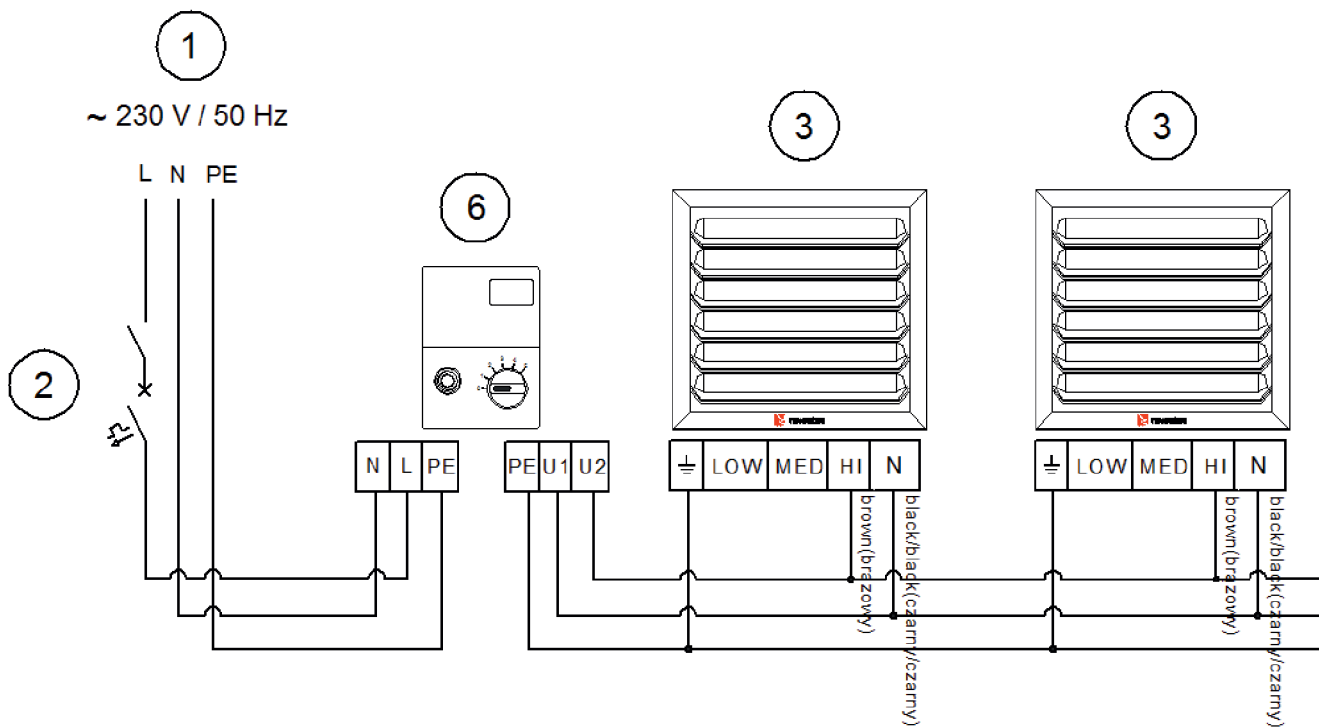
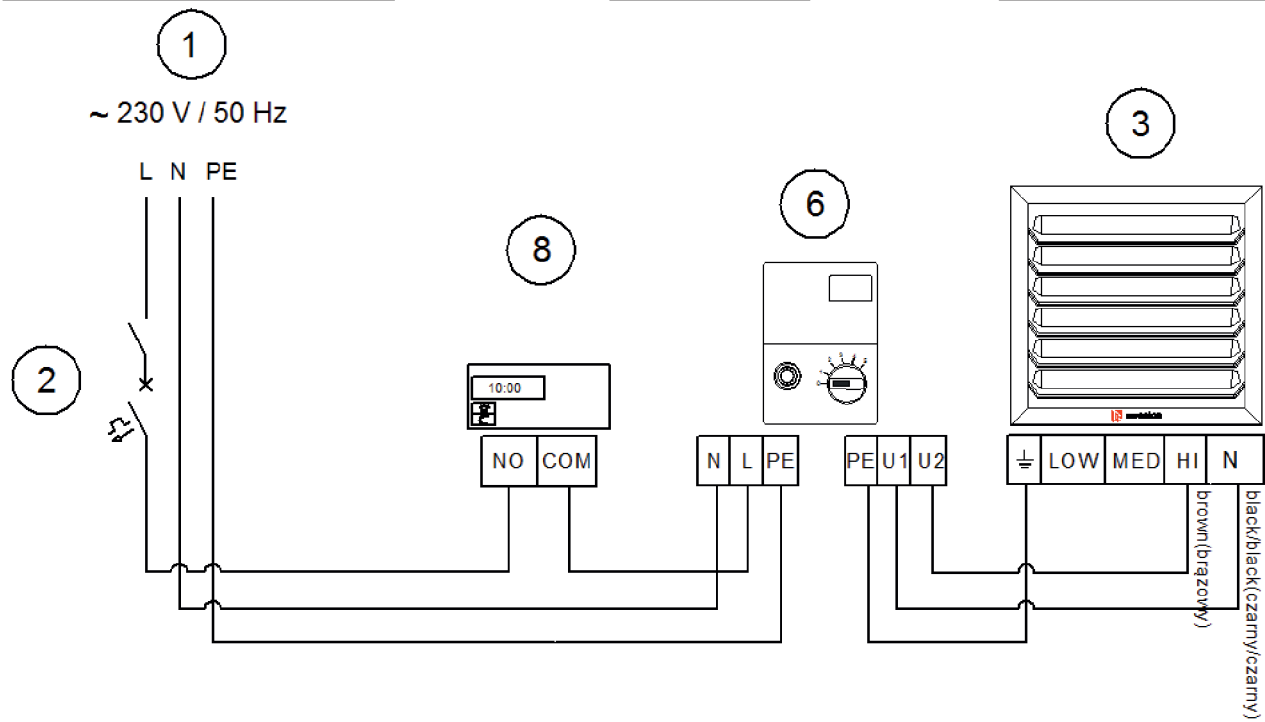
1. Power
2. Main switch, overcurrent circuit breaker *
3. Air water heater Reventon HC
4. 3-stage speed controllers with thermostat
- A-work in continuous mode
- B-operation in thermostatic mode
5. Two-way valve with actuator HC 3/4"
6. Fan speed controller HC
7. Manual thermostat HC
8. Digital programmable thermostat HC
9. Relay module RM-16A

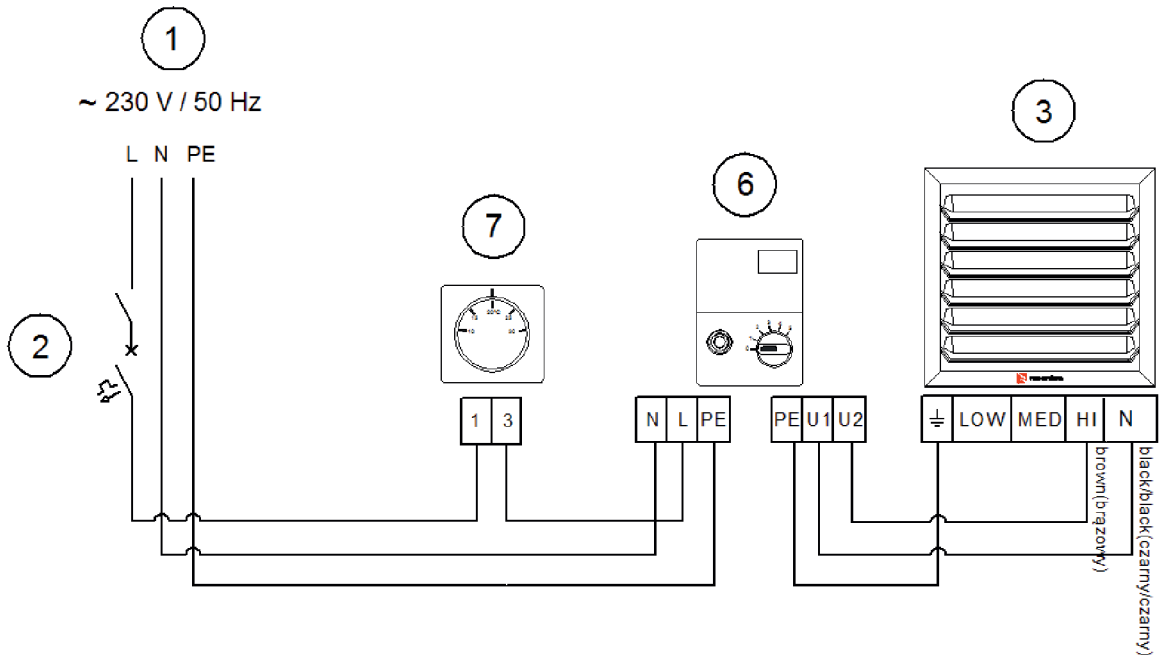
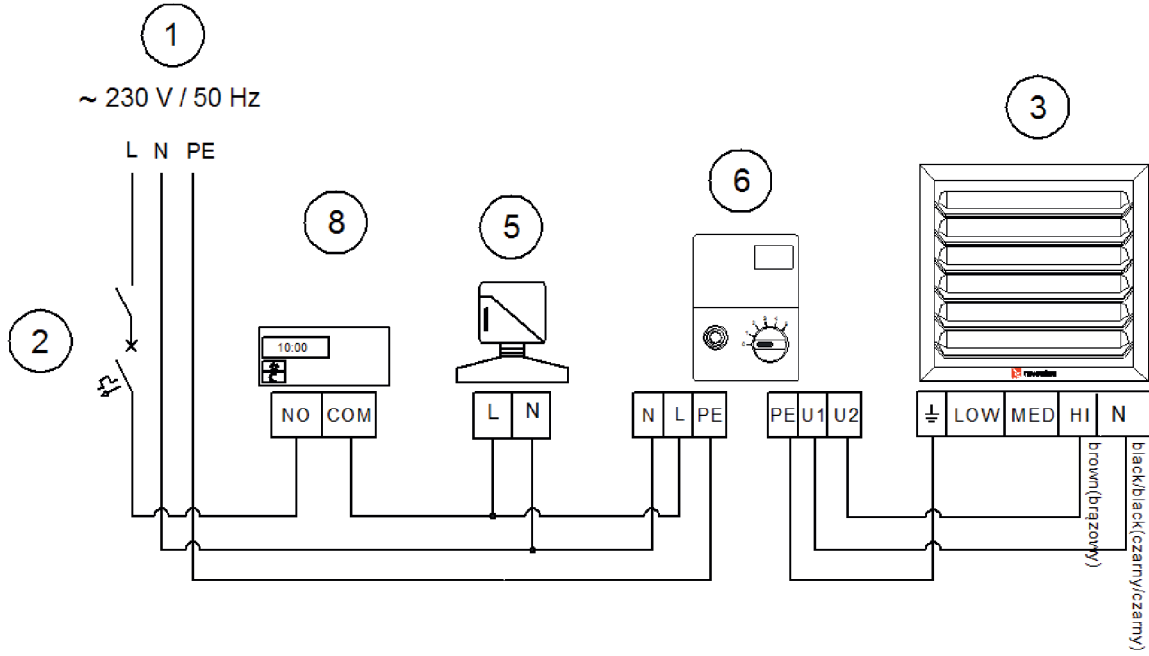
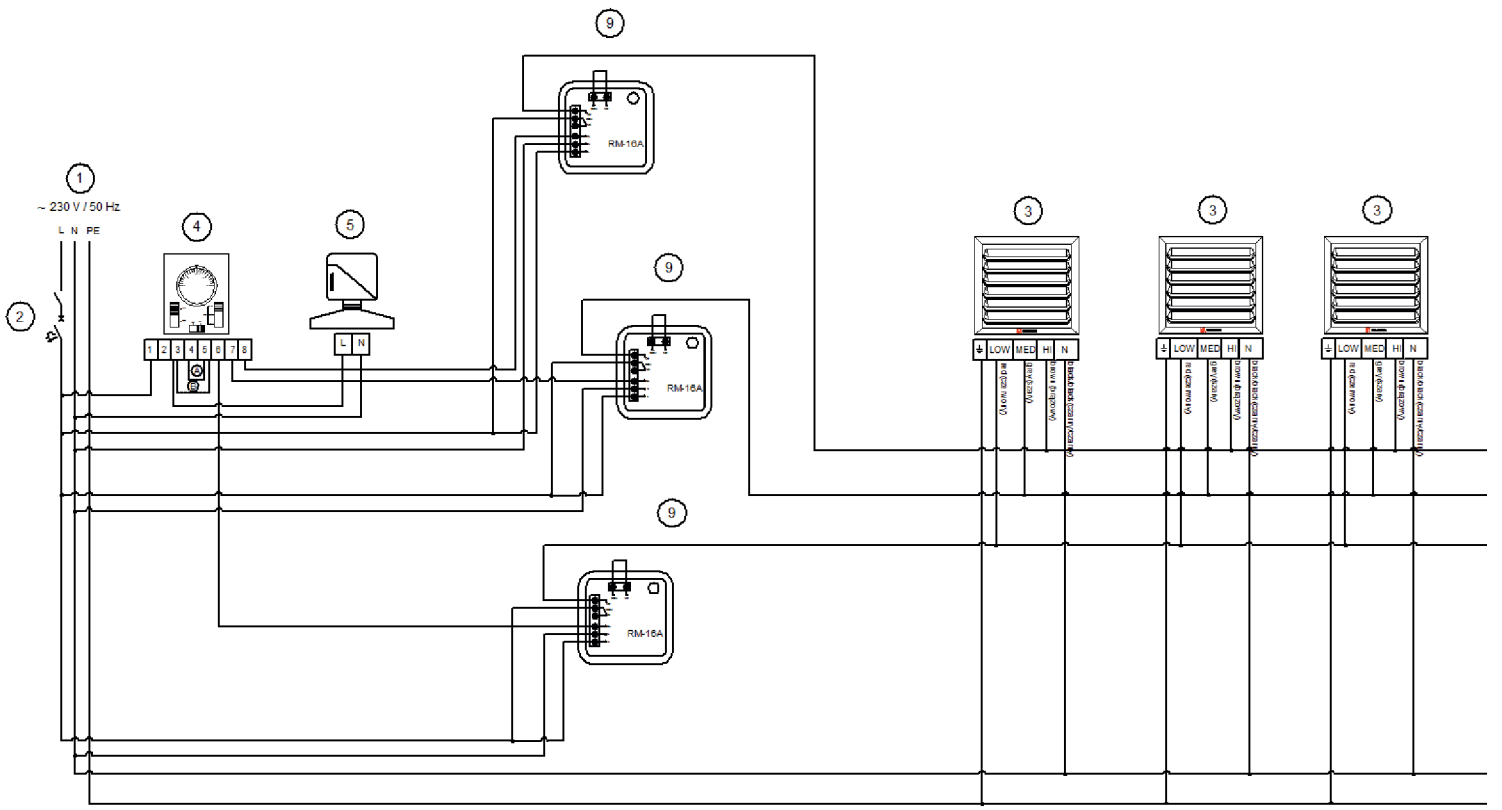
* main switch and safety fuses are not included in the set

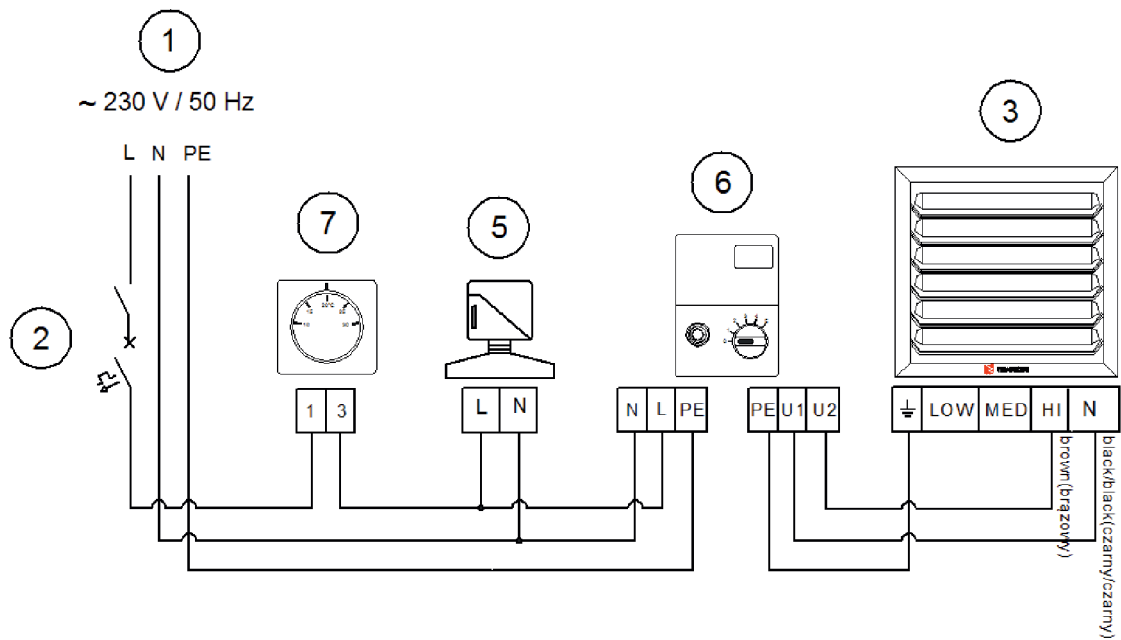
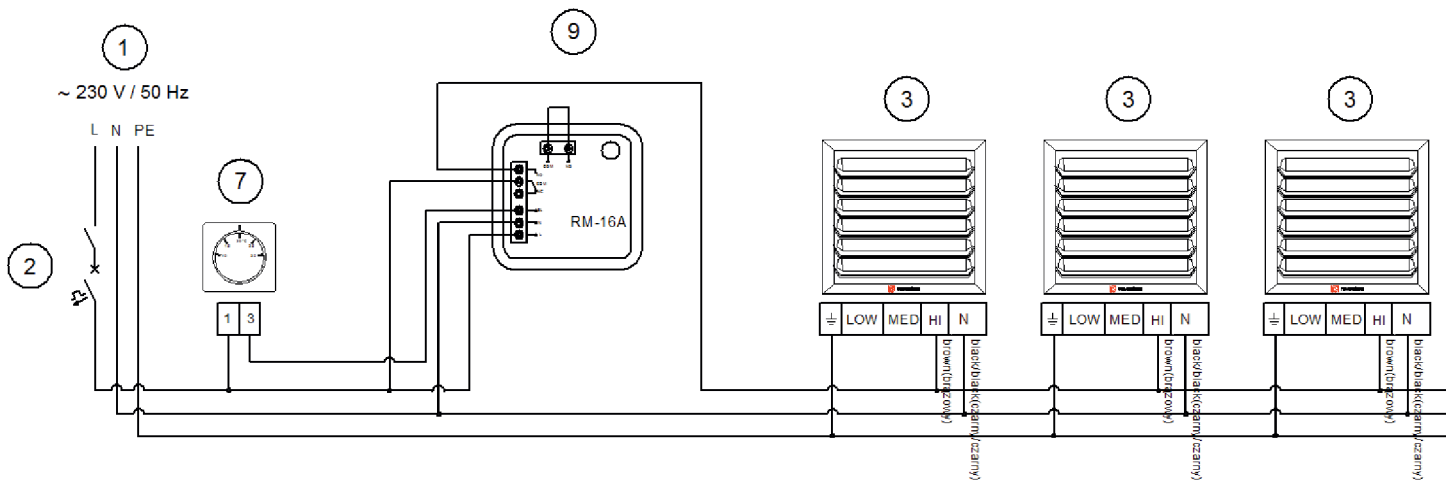
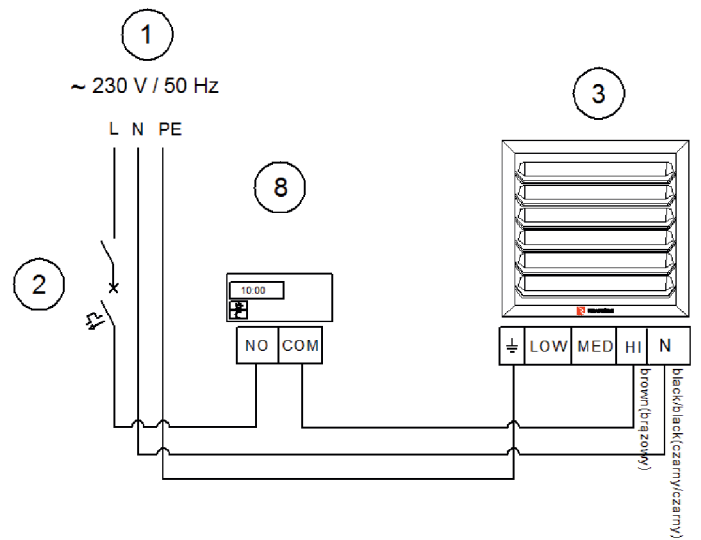
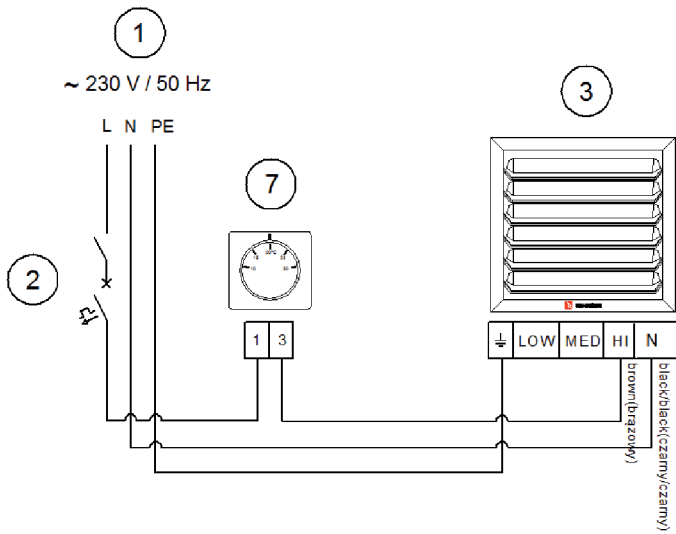
HCF-IP53-3S

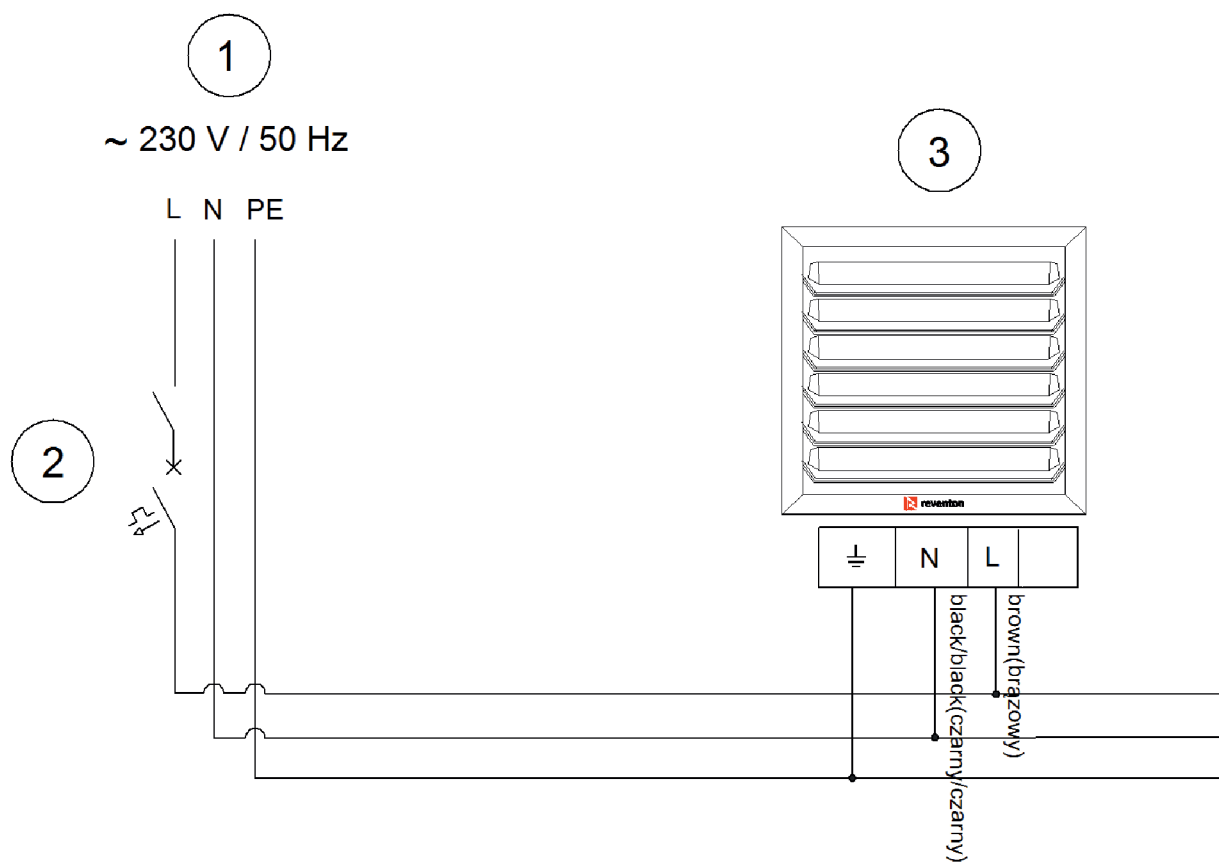
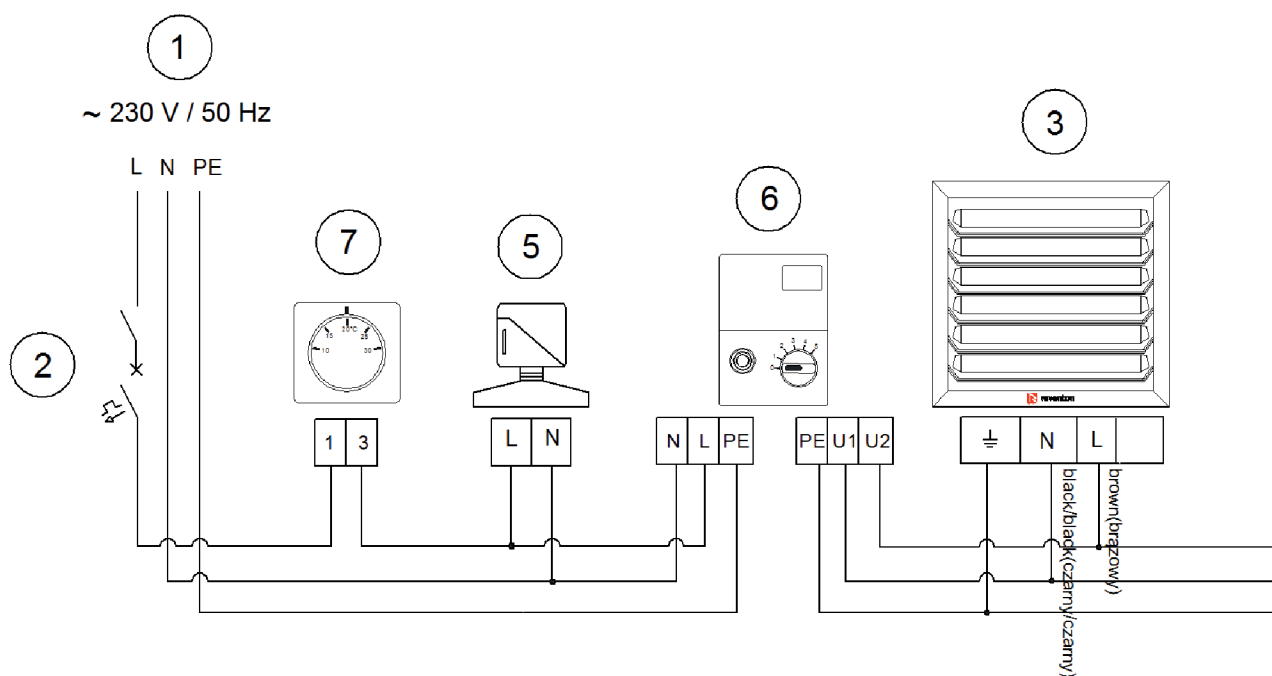


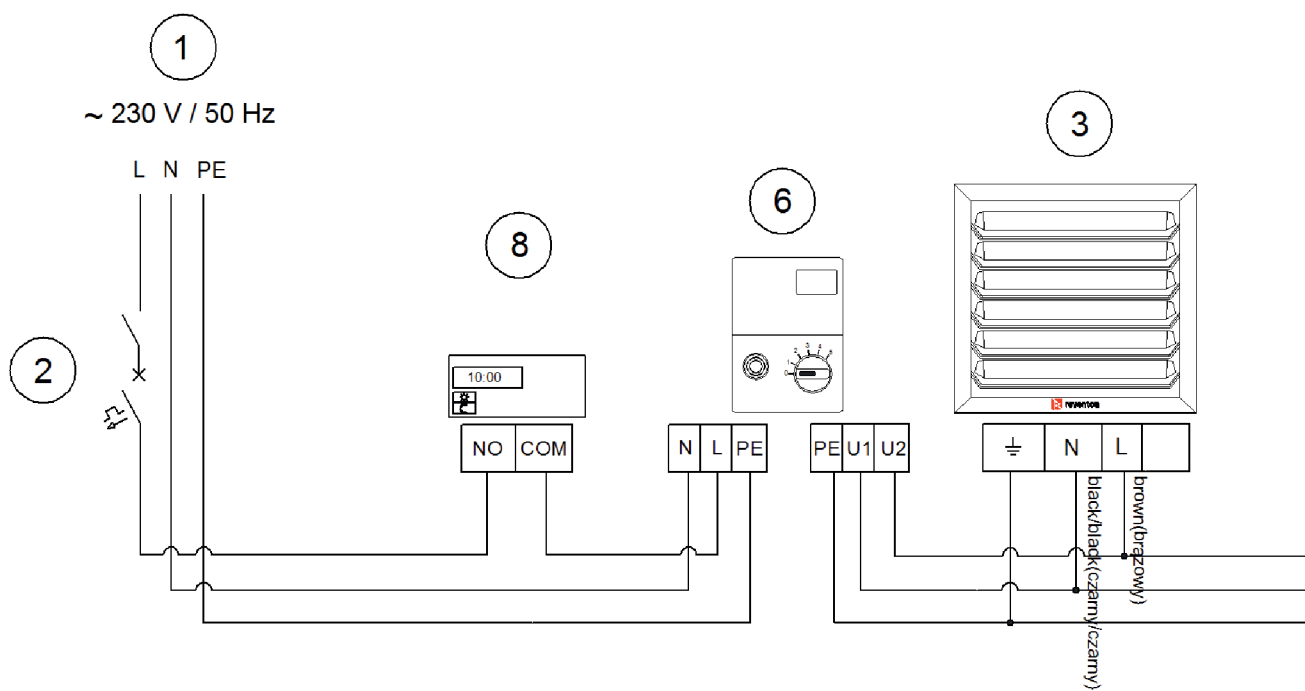
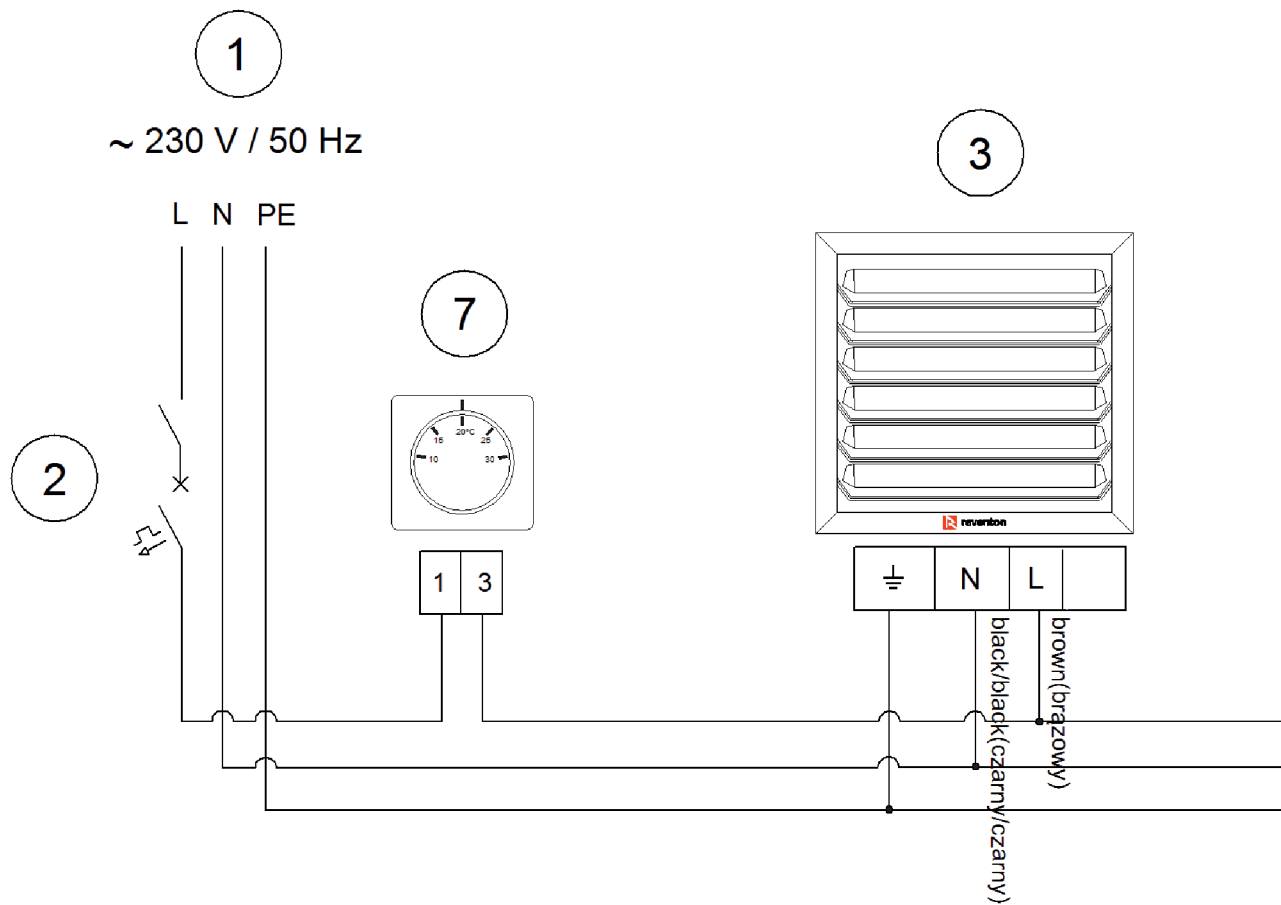


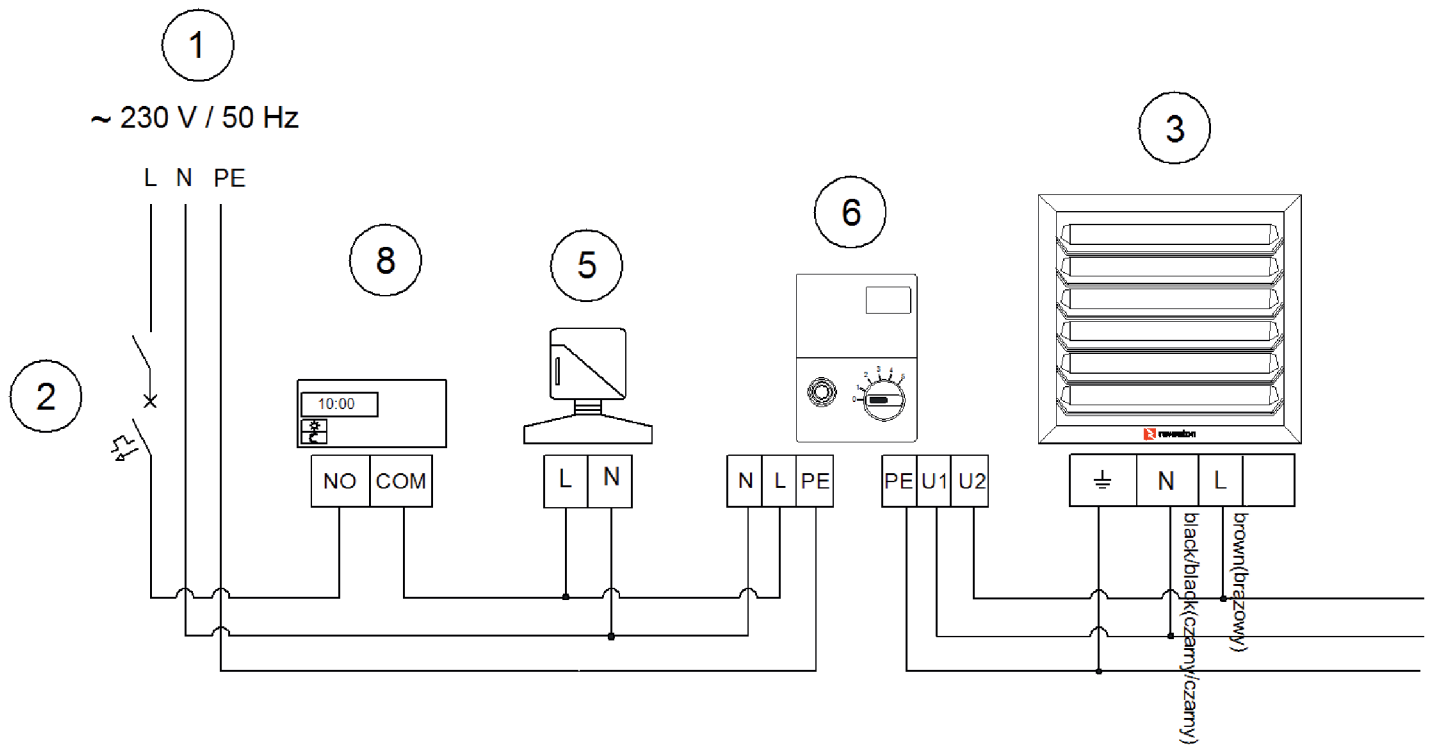
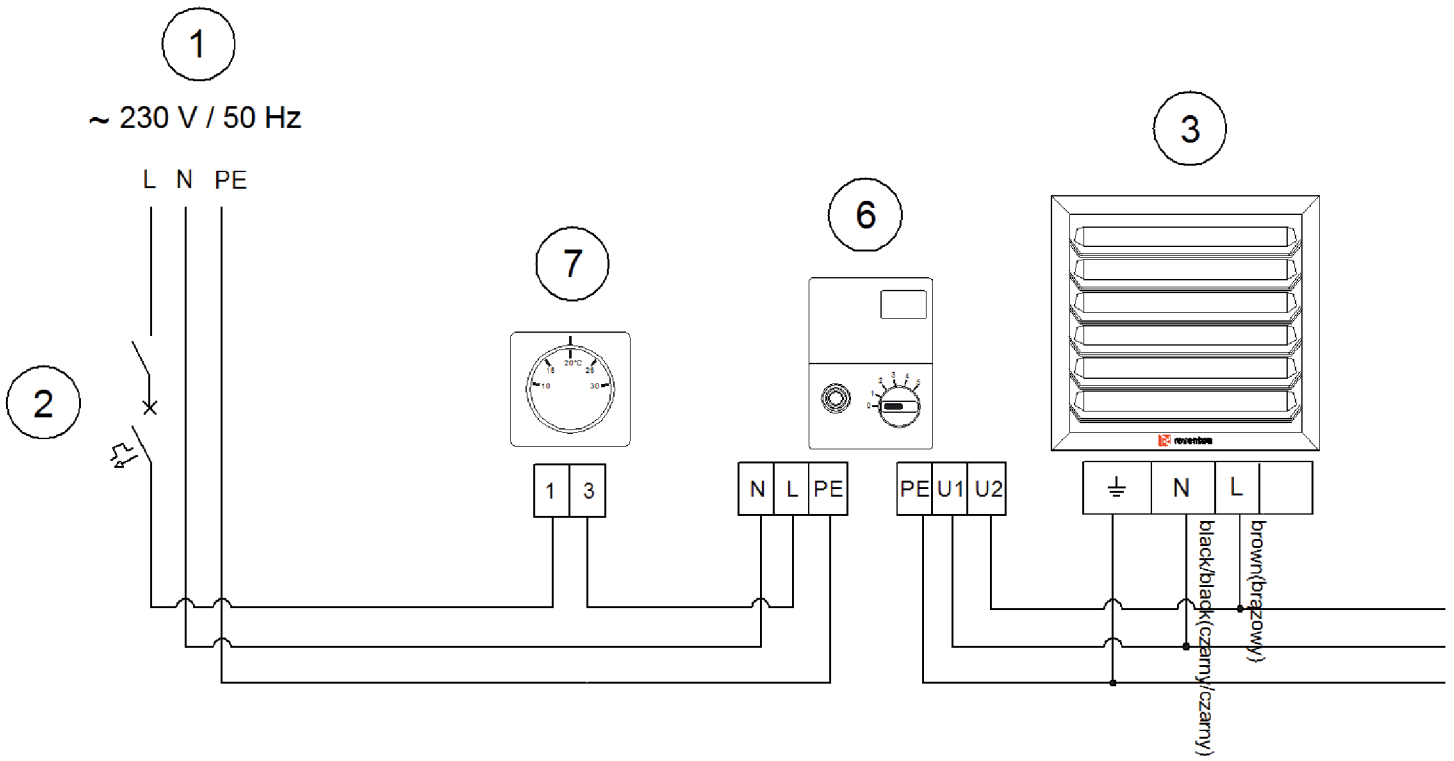


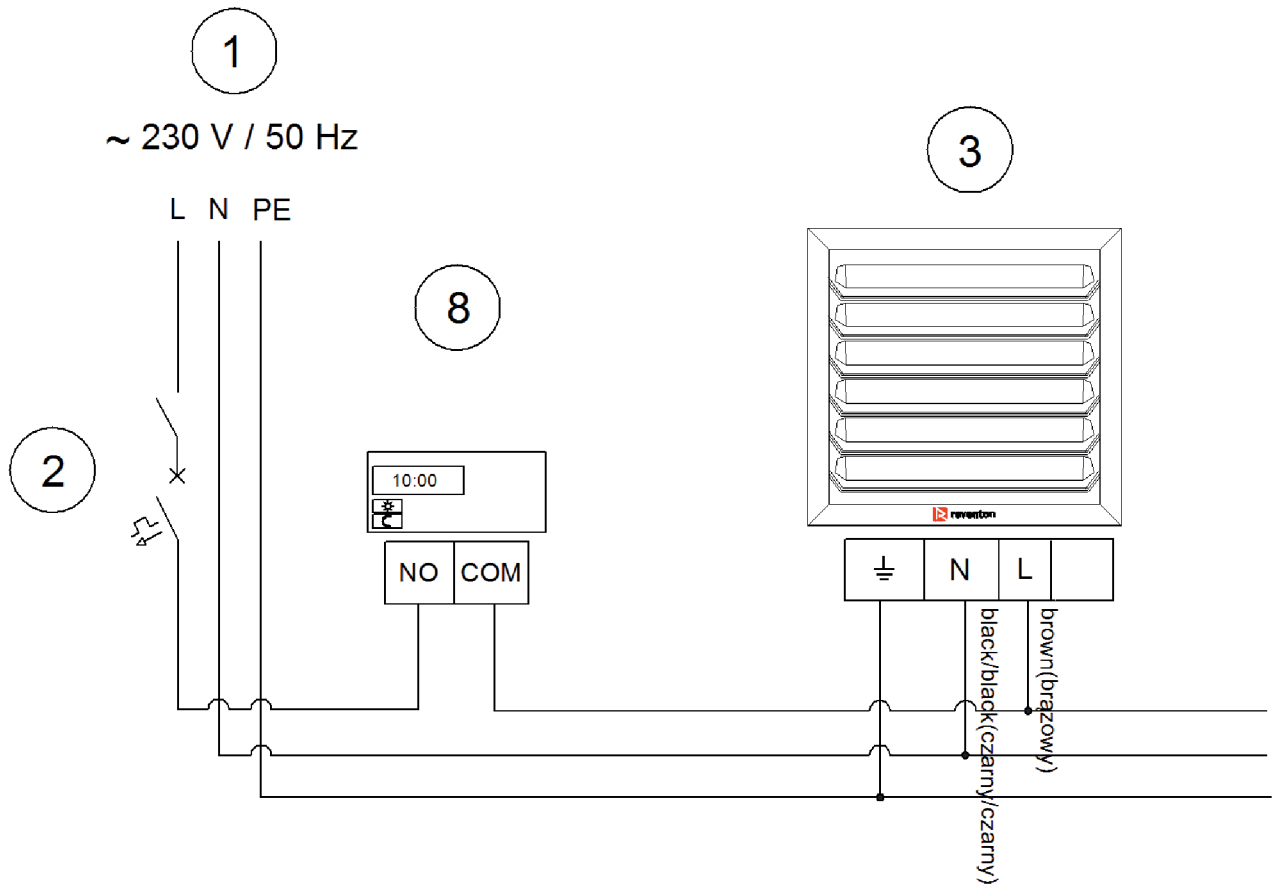
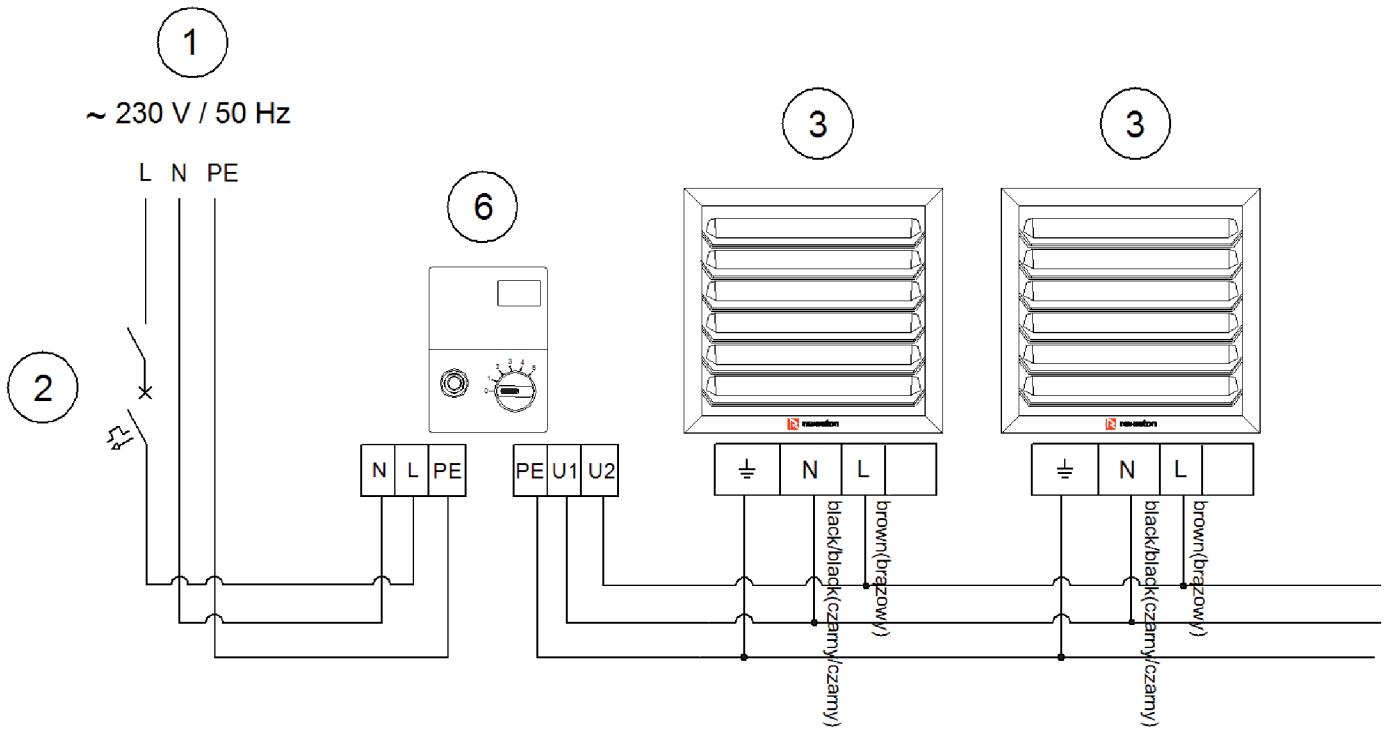










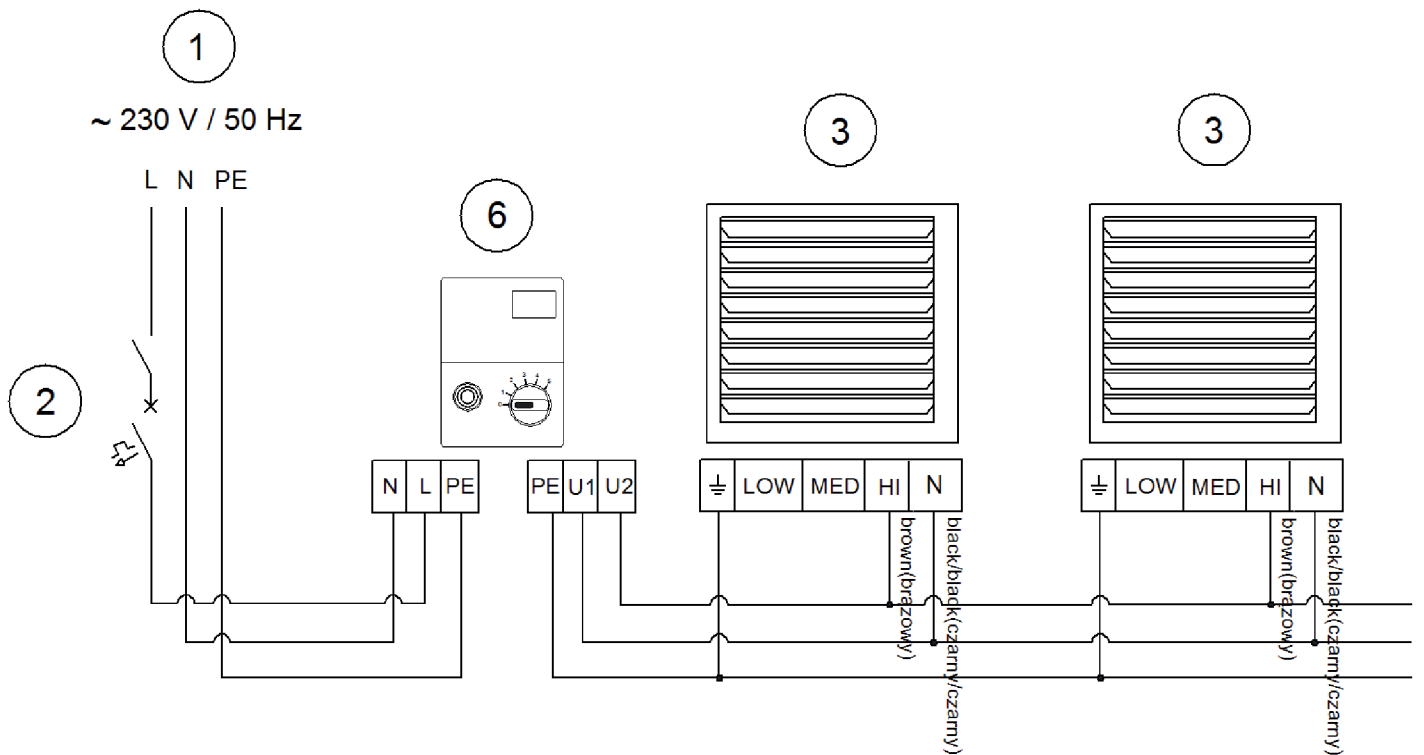
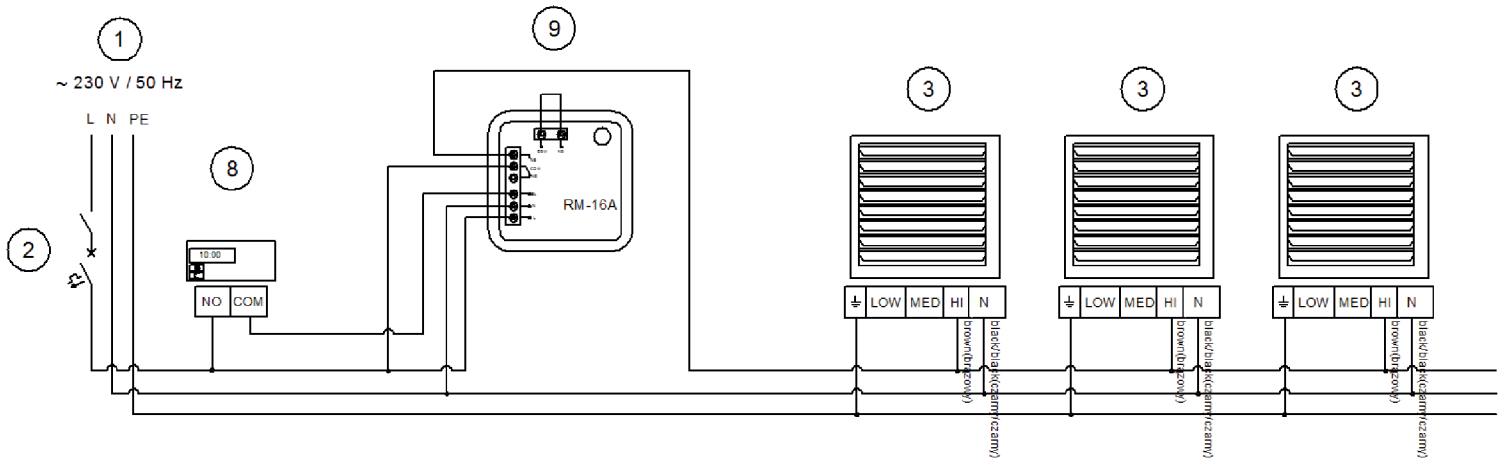


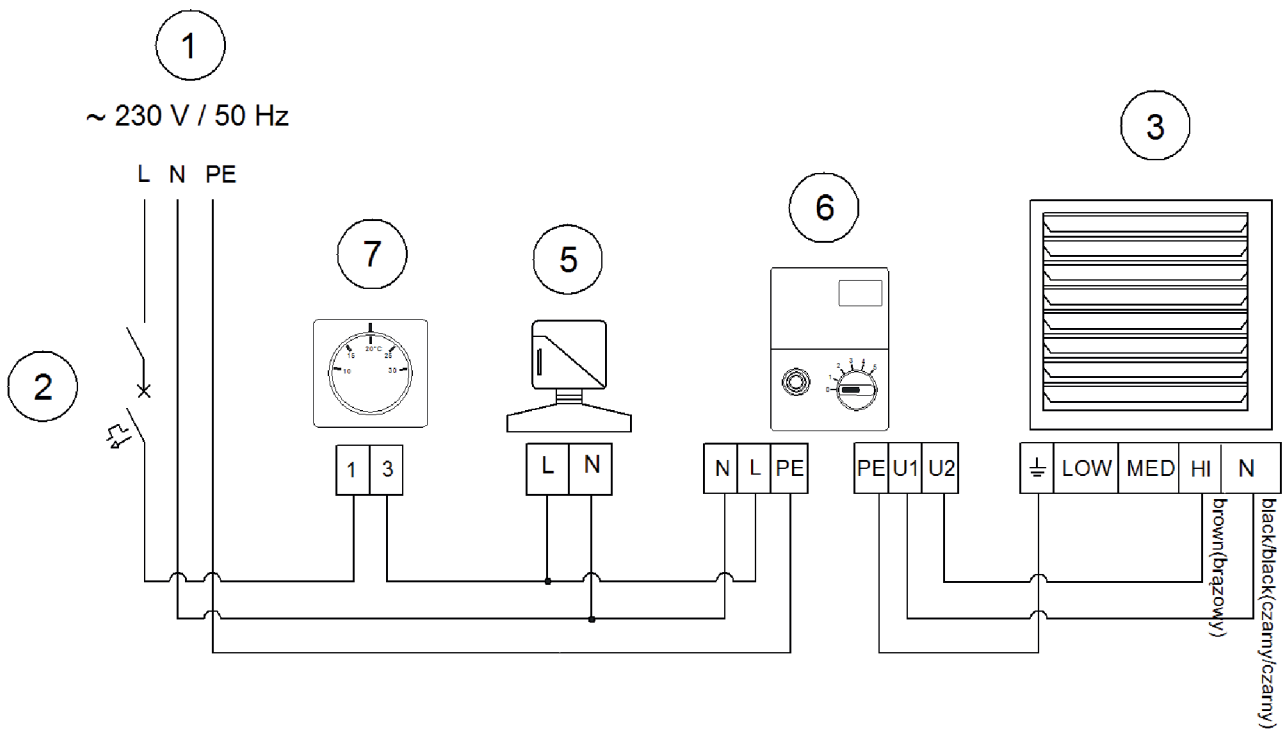
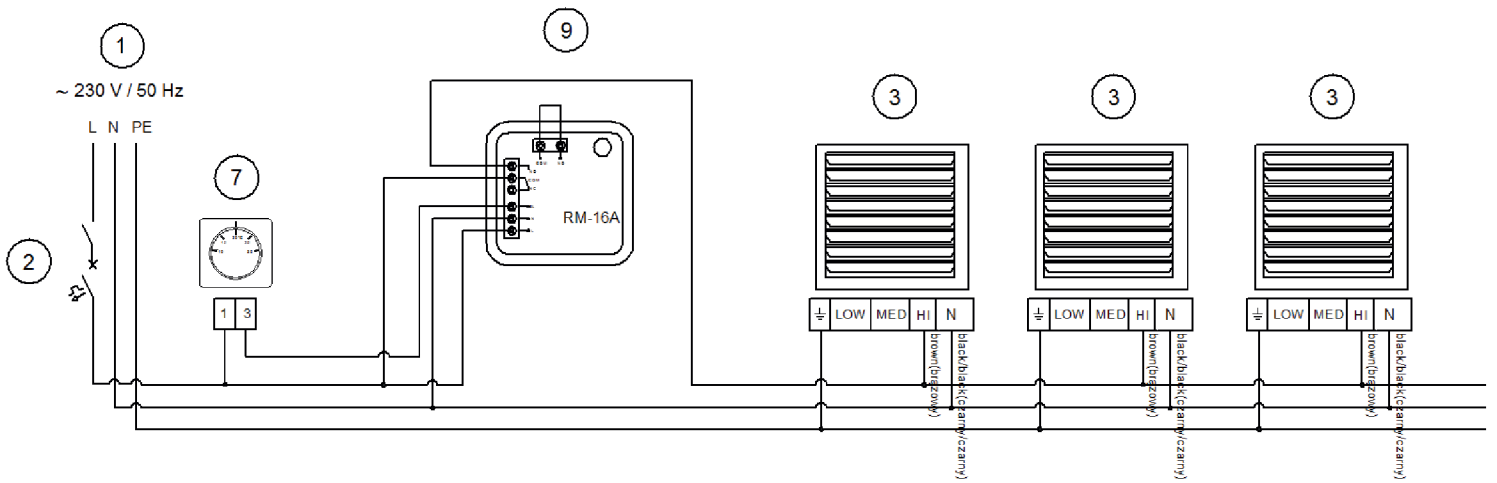
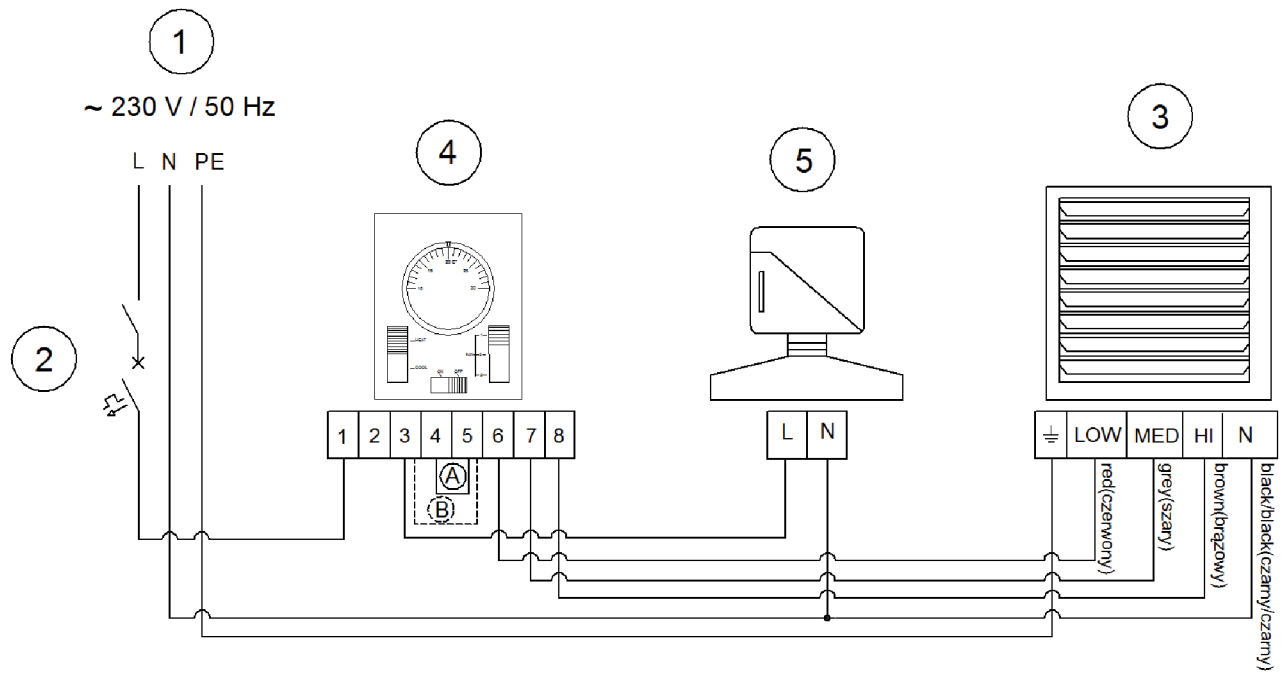
AIR WATER HEATERS IN STEEL CASING S SERIES

LEGEND:

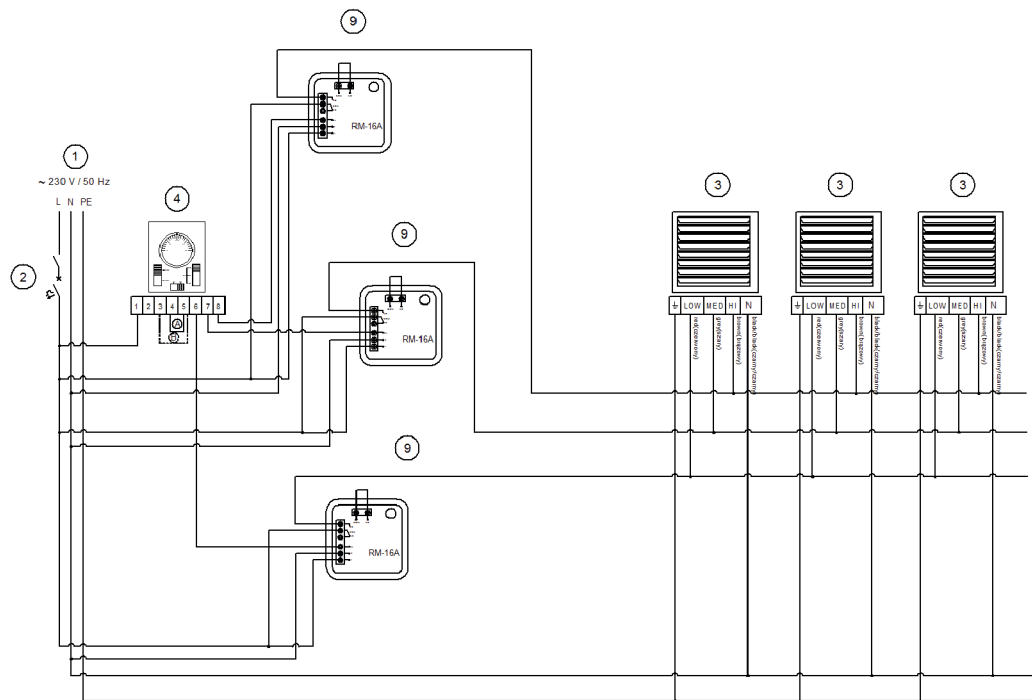
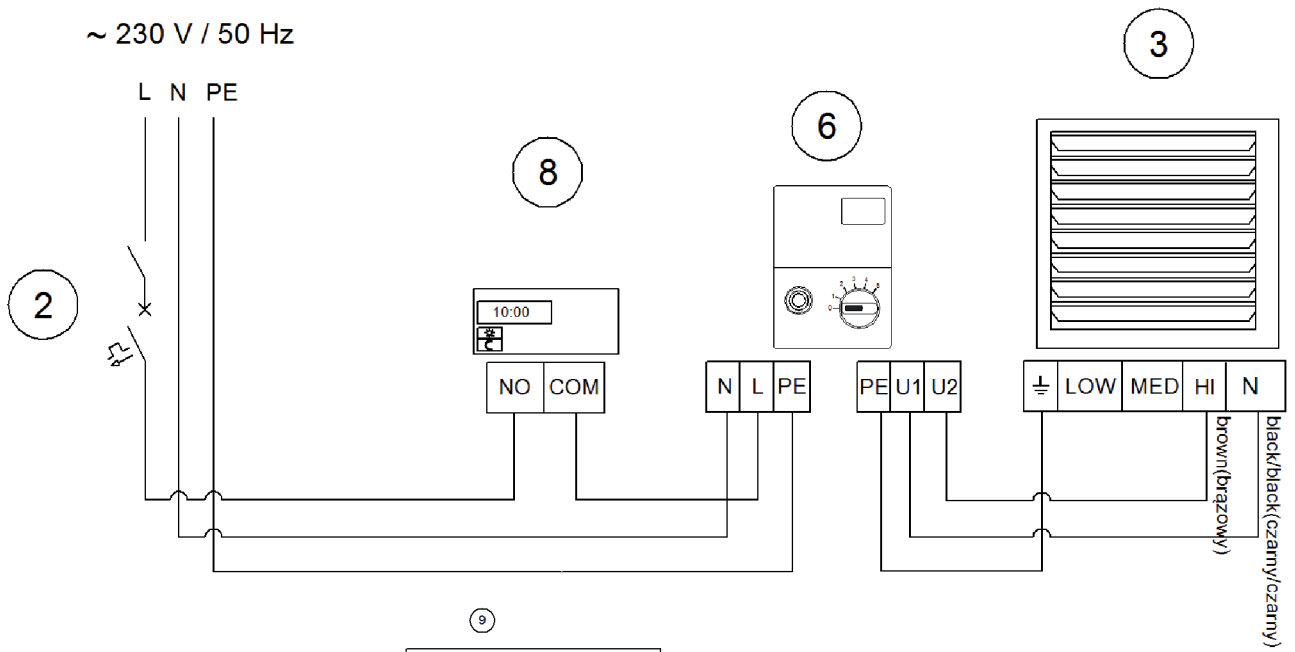
1. Power
 2. Main switch, overcurrent circuit breaker *
 3. Air water heater Reventon S series
 4. 3-stage speed controllers with thermostat HC3S
- A-work in continuous mode
 B-operation in thermostatic mode
5. Two-way valve with actuator HC ¼ "
 6. Fan speed controller HC
 7. Manual thermostat HC
 8. Digital programmable thermostat HC
 9. Relay module RM-16A

* main switch and safety fuses are not included in the set

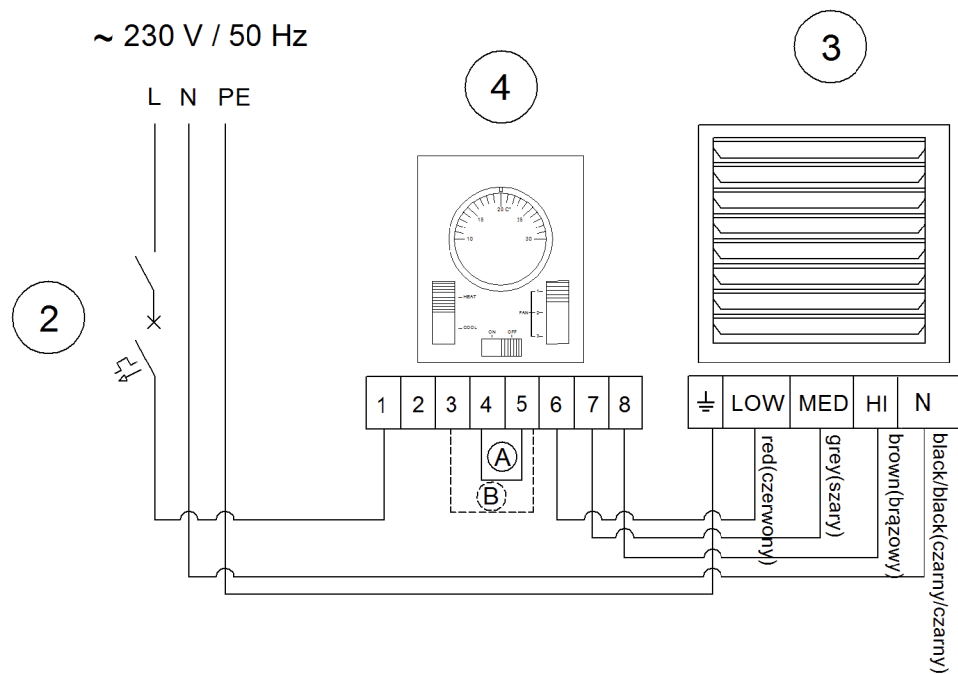


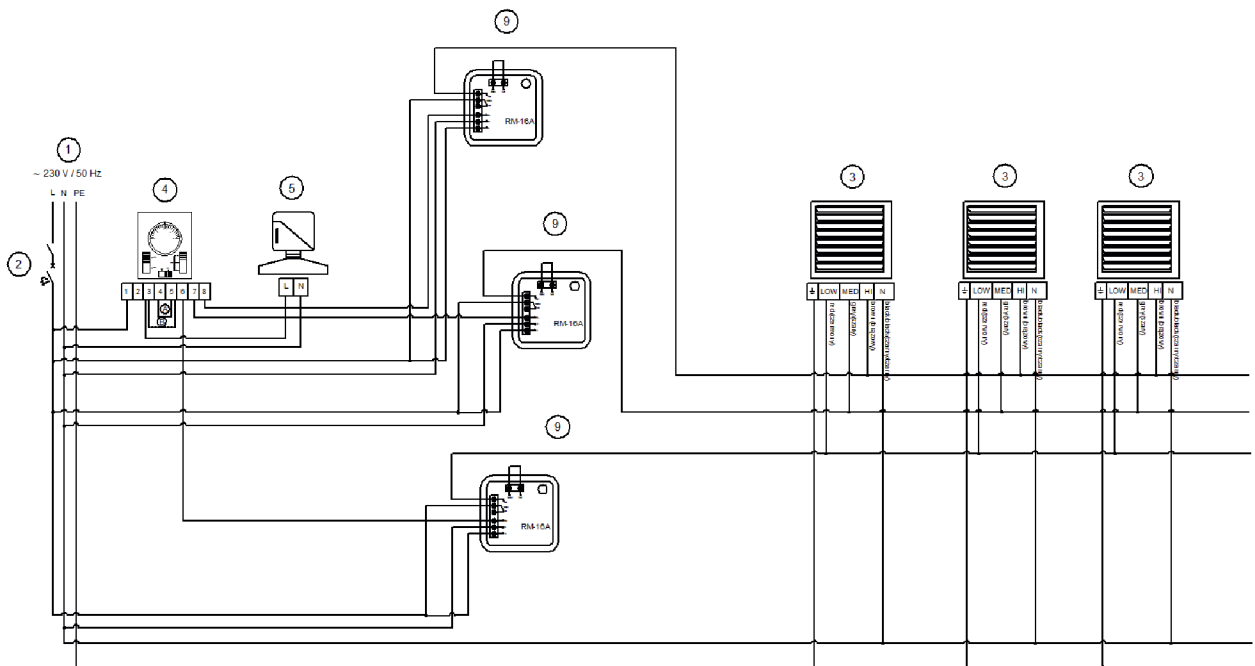
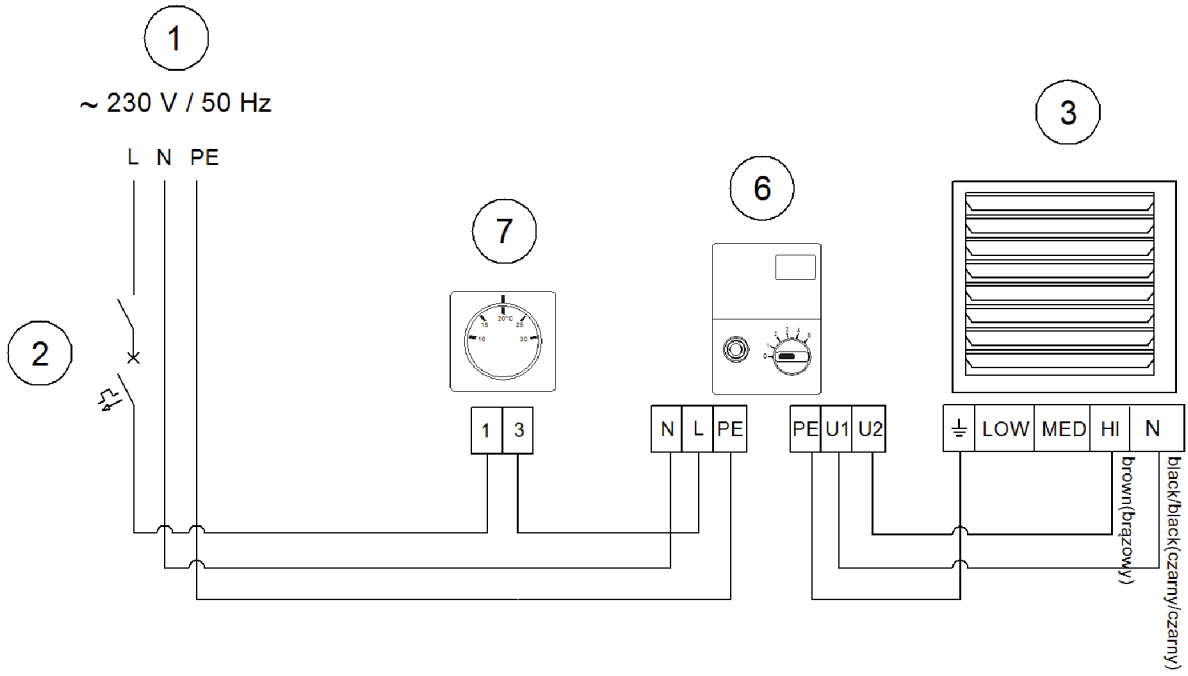
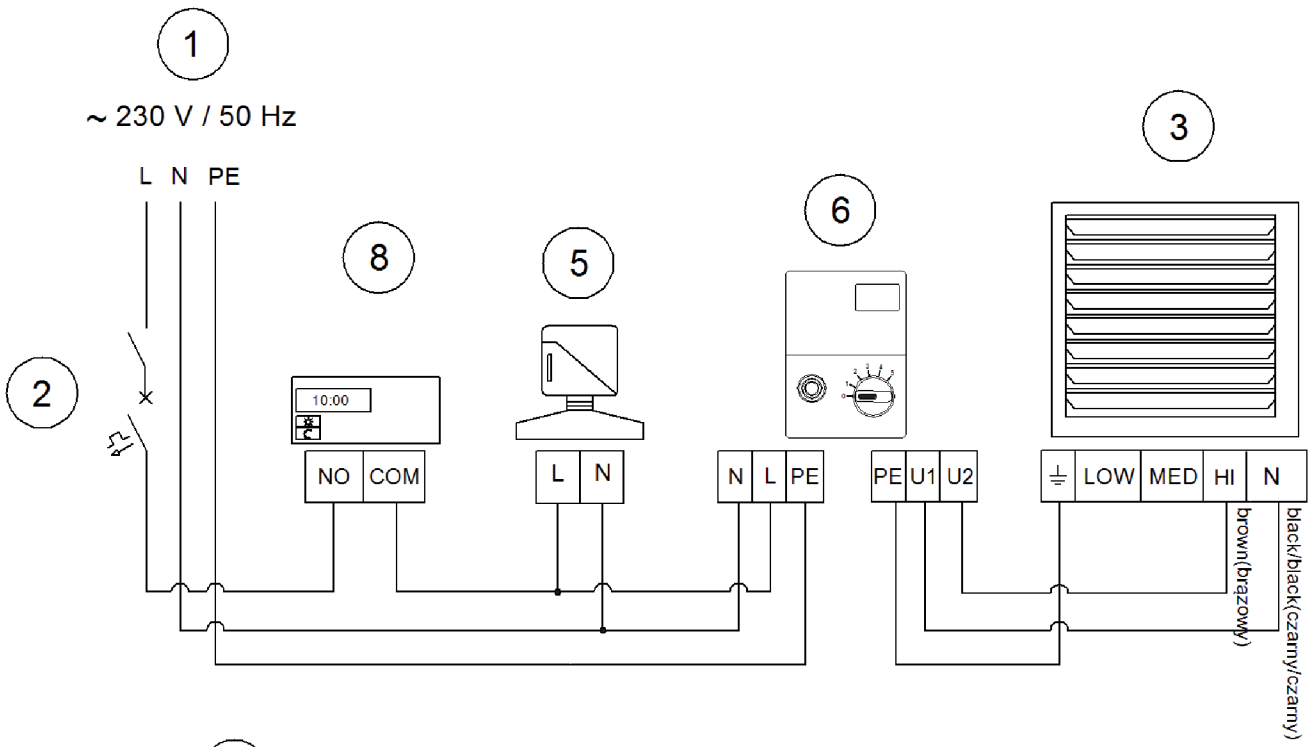


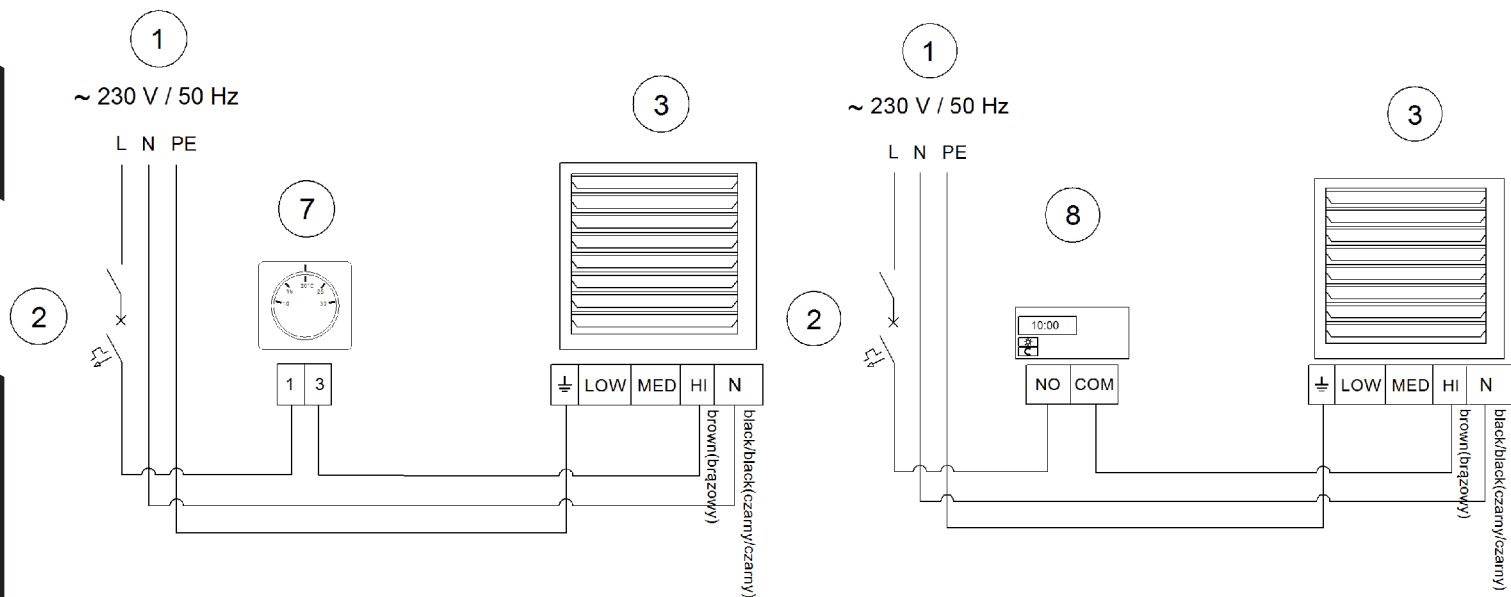
1
~ 230 V / 50 Hz



1
~ 230 V / 50 Hz







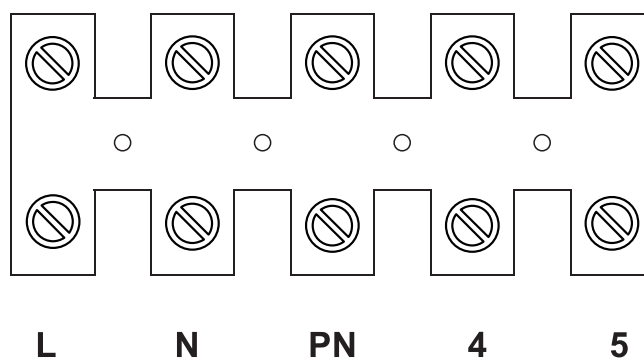
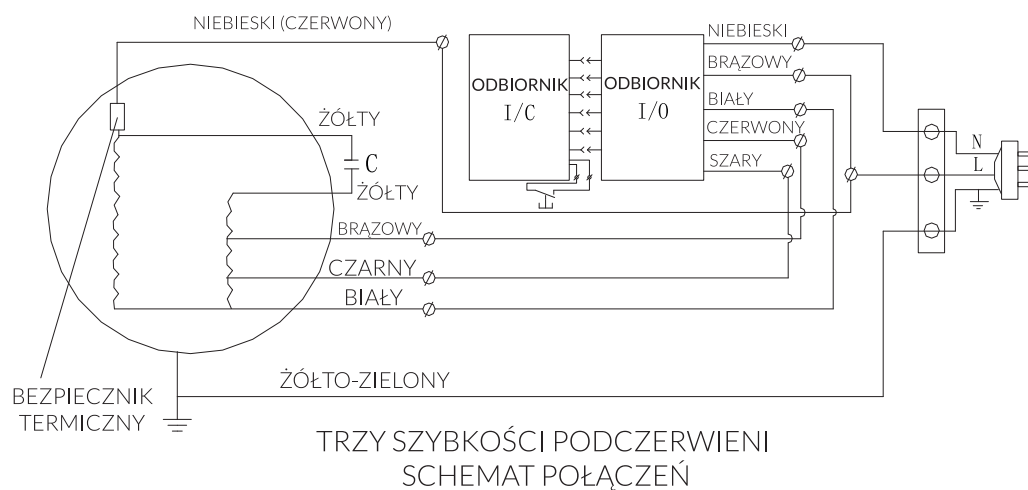
KURTYNA POWIETRZNA Z NAGRZEWNICĄ WODNĄ

MODELE:

REVENTON GROUP AERIS 100WN-1P

REVENTON GROUP AERIS 150WN-1P

REVENTON GROUP AERIS 200WN-1P



Zaciski numer 4 i 5 używane do podłączenia czujnika drzwiowego, który jest dołączony wraz z instrukcją. Powyższa instalacja jest opcjonalna. Można nią kontrolować kurtynę on/off kiedy otwierasz lub zamykasz drzwi.

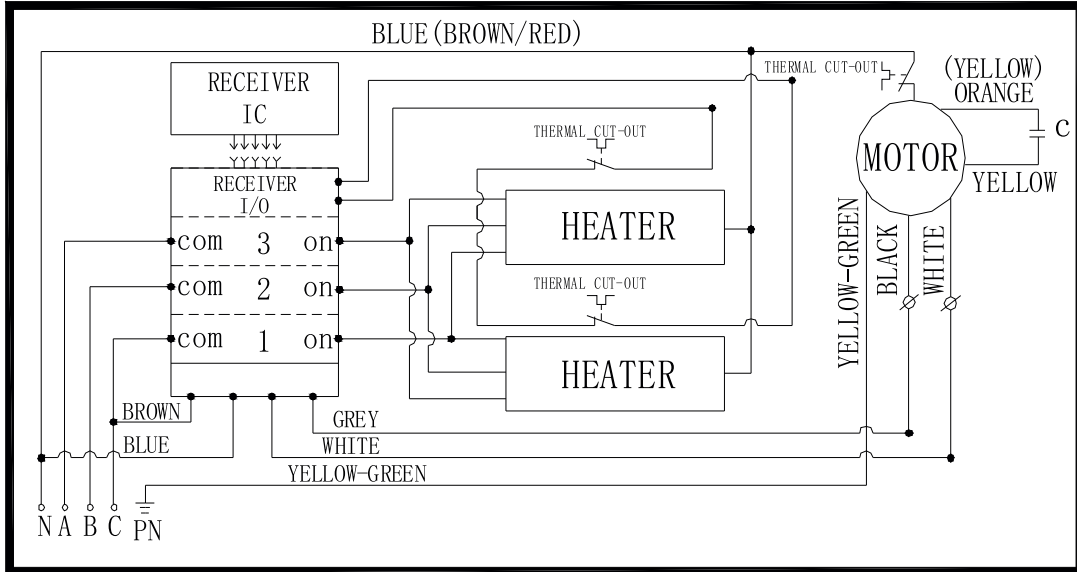
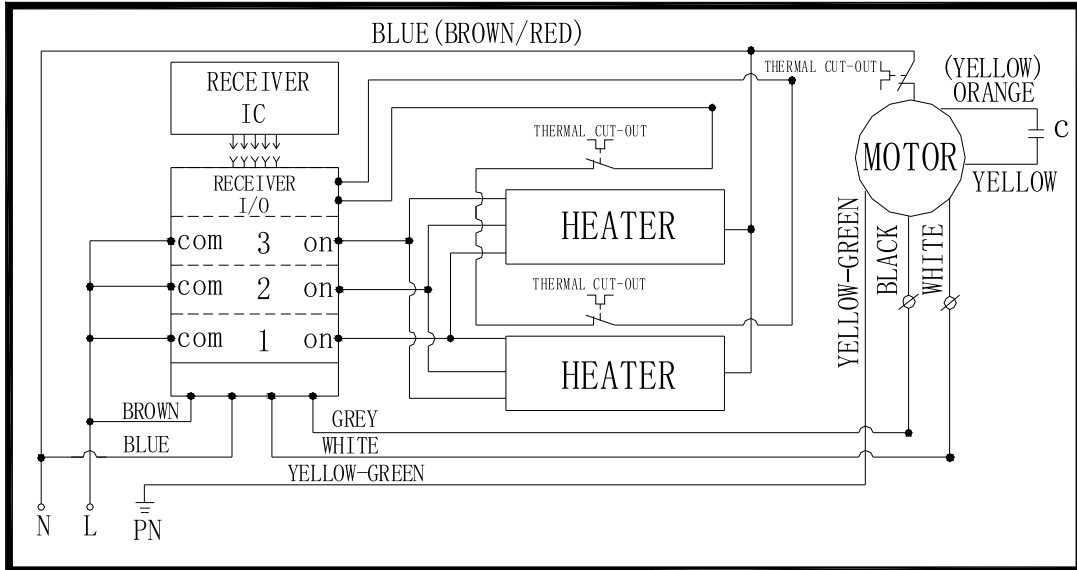
ELECTRIC HEATED AIR CURTAIN

MODELS:

REVENTON GROUP AERIS 100E-1P

REVENTON GROUP AERIS 150E-1P

REVENTON GROUP AERIS 200E-1P



DTR HC3P

