

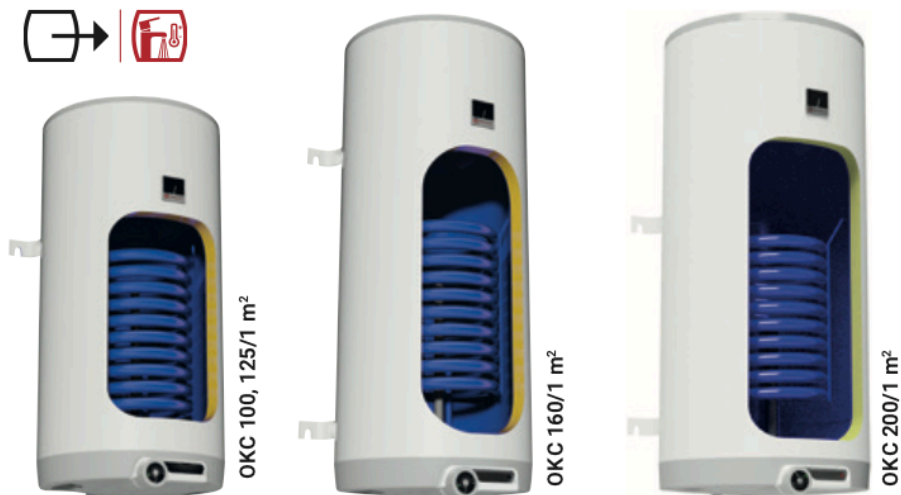
# OKC/1m<sup>2</sup>

## HOT WATER STORAGE TANKS

## WALL-MOUNTED VERTICAL



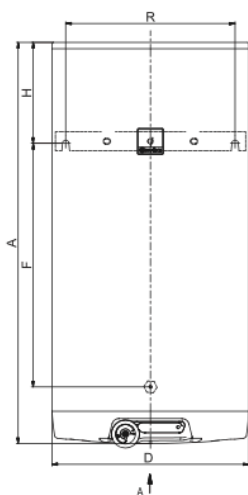
- Comes in wall-mounted version
- With a 2.2 kW electrical heating unit
- Ceramic 3-phase heating element 4 kW or extra connection for circulation on demand
- In version with 1 m<sup>2</sup> exchanger the storage tank is suitable for boilers using various fuels and for condensing boilers
- 1 wall-mounted console and support for models 100–125; 2 wall-mounted consoles for models 160–200
- Equipped with inlet/outlet for circulation



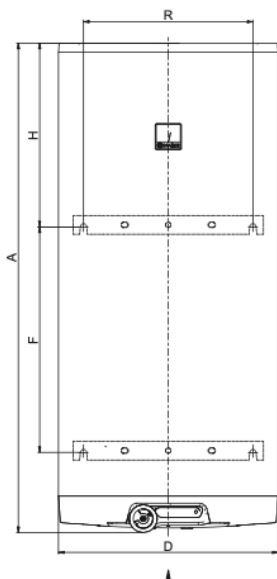
Type of storage tank		OKC 100/1 m <sup>2</sup>	OKC 125/1 m <sup>2</sup>	OKC 160/1 m <sup>2</sup>	OKC 200/1 m <sup>2</sup>
Order number model 2,2 kW		1108209101	1103209101	1106209101	1107209101
Order number model 4 kW		1108209103	1103209103	1106209103	1107209103
Capacity	[l]	95	120	147	195
Max. weight of the empty water heater	[kg]	57	64	71	85
Insulation thickness	[mm]	42			
Thermal conductivity of the insulation	[W·m <sup>-1</sup> ·K <sup>-1</sup> ]	0,022			
Power consumption of the el. heating unit	[W]	2200			
Heating time from 10 °C to 60 °C *	[h]	2,5	3,2	3,9	5,2
Electrical connection		1/N/PE ~ 230V/50Hz			
Recommended circuit breaker size	[A]	16			
Degree of protection		IP44			
Max. operating temp. / overpressure in tank	[°C]/[bar]	80/6			
Heat transfer surface of the exchanger *	[m <sup>2</sup> ]	1,08			
Capacity of the exchanger *	[l]	7,1			
Max. operating temperature / overpressure in exchanger	[°C]/[bar]	110/10			
Power of the exchanger at the 720 l at 80 °C	[kW]	24			
Heating time by the exchanger from 10 °C to 60 °C *	[min]	14	17	21	28
Energy efficiency class		B		C	
Static loss	[W]	47	57	67	72

Dimensions [mm]	A	B	C	D	E	F	G	H	I	J	K	R
OKC 100/1 m <sup>2</sup>	902	612	70	524	622	478	550	270	263	703	172	450
OKC 125/1 m <sup>2</sup>	1067	612	70	524	789	645	550	268	263	703	172	450
OKC 160/1 m <sup>2</sup>	1255	612	70	524	991	815	830	254	263	703	172	450
OKC 200/1 m <sup>2</sup>	1300	672	70	584	804	600	902	490	252	692	172	450

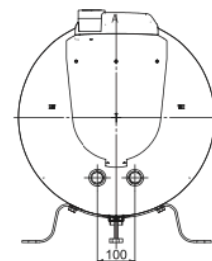
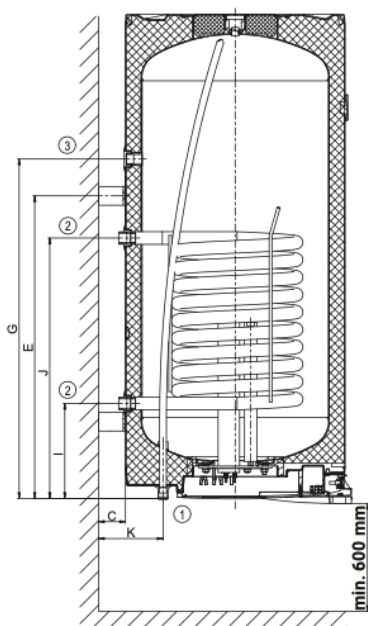
SOCKET no. 1 ¾" outer  
 SOCKET no. 2 1" outer  
 SOCKET no. 3 ¾" inner



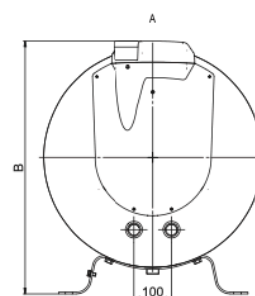
OKC 100–125/1m<sup>2</sup>



OKC 160–200/1m<sup>2</sup>



OKC 100–125/1m<sup>2</sup>



OKC 160–200/1m<sup>2</sup>