

LK 212 SolarStation

- Reduced energy costs by using solar power
- Adapted for 180 mm circulation pump.
- Connections with 3/4" female thread and 1" male thread



Technical Data

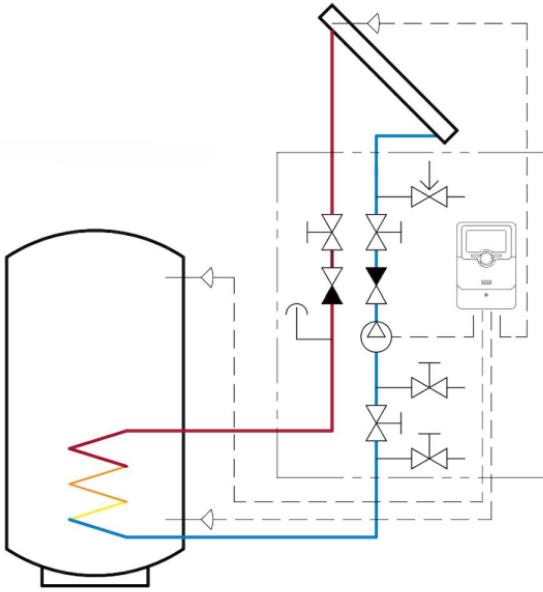
Voltage:	230 VAC \pm 10%, 50 Hz
Working temperature:	Supply: Max. 140 °C Return: Max. 110 °C
Max. working pressure:	1,0 MPa (10 bar)
Operating pressure:	0,6 MPa (6 bar)
Media 1:	Water - Glycol mixture max. 50%
Thread standard:	G - male thread, G - female thread
Circulating pumps:	Grundfos UPM3 Solar 25-75 180, Wilo Para ST 25-180/8 IPWM2
Sensors:	PT 1000
Protection type:	IP 20

LK 212 SolarStation is a compact dual-pipe solar pump unit. It contains all the necessary components for a safe operation and control of the solar heating system such as safety group, 180 mm circulating pump, ball valve with integrated check valve and thermometer, air separator with manual air vent connection, flow meter with shut-off, filling and drainage valves.

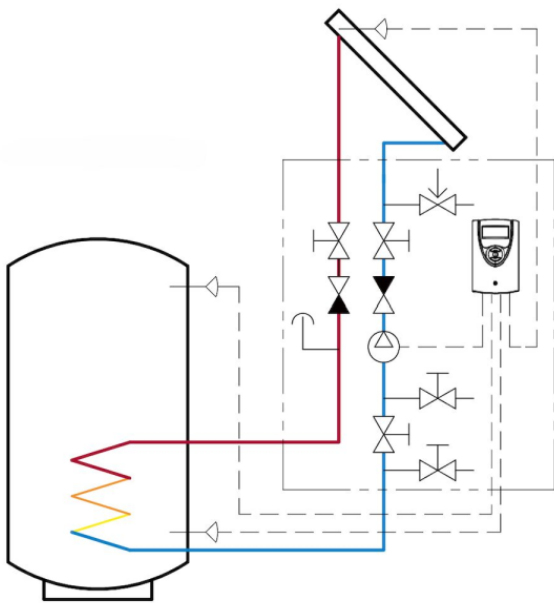
Option of selecting between two different controllers, LK 152 SmartSolar SLL or LK 152 SmartSolar CS Plus. A variant without a controller and/or circulation pump is also optional if you wish to supply it yourself.

LK 152 SmartSolar SLL and SC Plus has both 10 preset hydraulic schedules. The chosen hydraulic schedule and operating status is shown on the display.

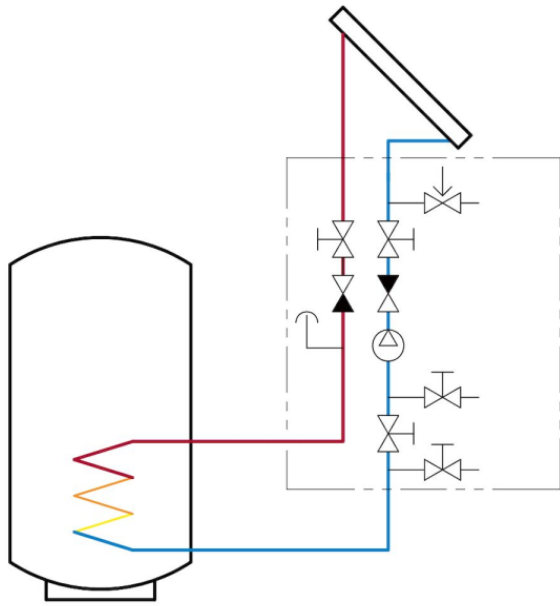
LK 212 SolarStation with LK 152 SmartSolar SLL



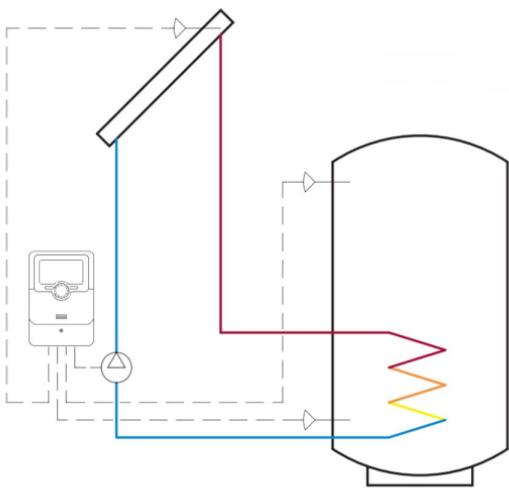
LK 212 SolarStation with LK 152 SmartSolar CS Plus



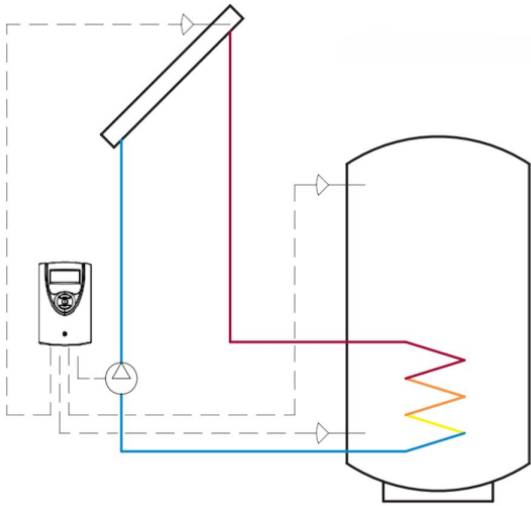
LK 212 SolarStation without controller



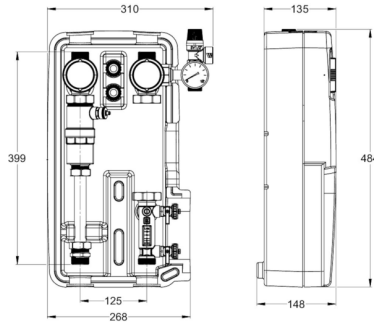
LK 152 SmartSolar SLL



LK 152 SmartSolar CS Plus

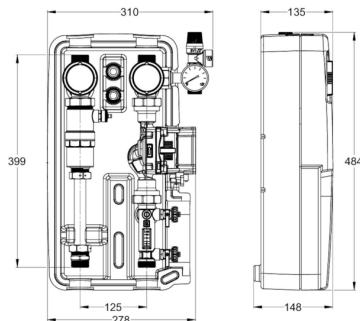


LK 212 - Female / male thread - without pump and controller



Article	Dim.	Flow range	Note	Weight (kg)
299999	F ¾" / M 1"	2-12 l/min.	Without pump and controller	3.6

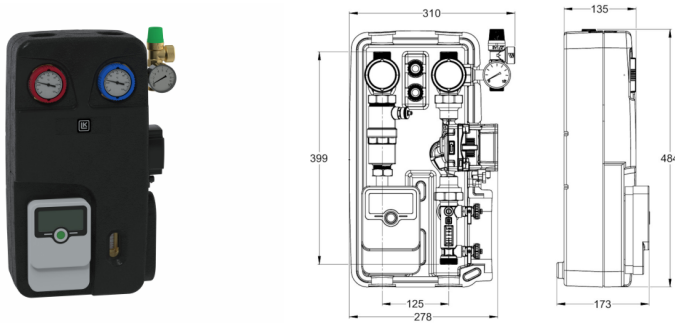
LK 212 - Female / male thread - without controller



Article	Dim.	Flow range	Note	Weight (kg)
299998	F ¾" / M 1"	2-12 l/min.	With Grundfos pump, without controller	5.6
396039	F ¾" / M 1"	2-12 l/min.	With Wilo pump, without controller	5.6

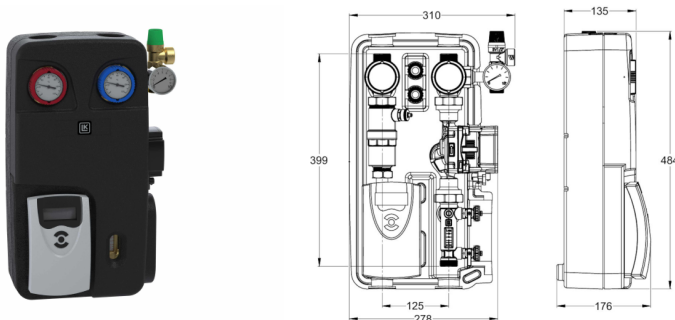


LK 212 - Female / male thread - with LK 152 SmartSolar SLL



Article	Dim.	Flow range	Note	Weight (kg)
396000	F ¾" / M 1"	2-12 l/min.	With LK 152 SmartSolar SLL, Grundfos pump	6.0
396040	F ¾" / M 1"	2-12 l/min.	With LK 152 SmartSolar SLL, Wilo pump	6.0

LK 212 - Female / male thread - with LK 152 SmartSolar CS Plus



Article	Dim.	Flow range	Note	Weight (kg)
396050	F ¾" x M 1"	2-12 l/min.	With LK 152 SmartSolar CS Plus, Wilo pump	6.0
396051	F ¾" / M 1"	2-12 l/min.	With LK 152 SmartSolar CS Plus, Grundfos pump	6.0

Accessories & Spare parts



Article no.	Article	Position
182675	LK 152 SmartSolar SLL	1
182735	LK 152 SmartSolar CS Plus	2
187325	Bracket	3
095470	Grundfos UPM3 Solar 25-75 180	4
095471	Wilo Para ST 25-180/8 IPWM2	5
095473	Ballvalve, red	6
095474	Ballvalve, blue	7
095475	EPP Insulation	8
095477	Air vent	9
095478	Safety group	10
095479	Filling valve	11