

## NON-ENAMELED BUFFER TANKS WITH STAINLESS STEEL HEAT EXCHANGER (BCW)



Product type: indirect

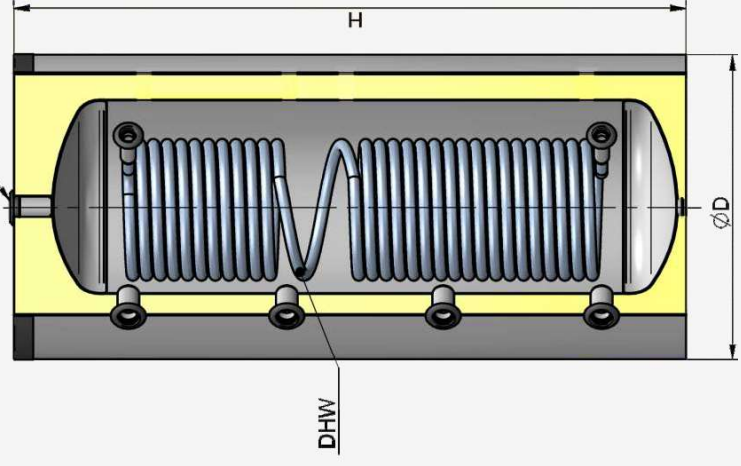
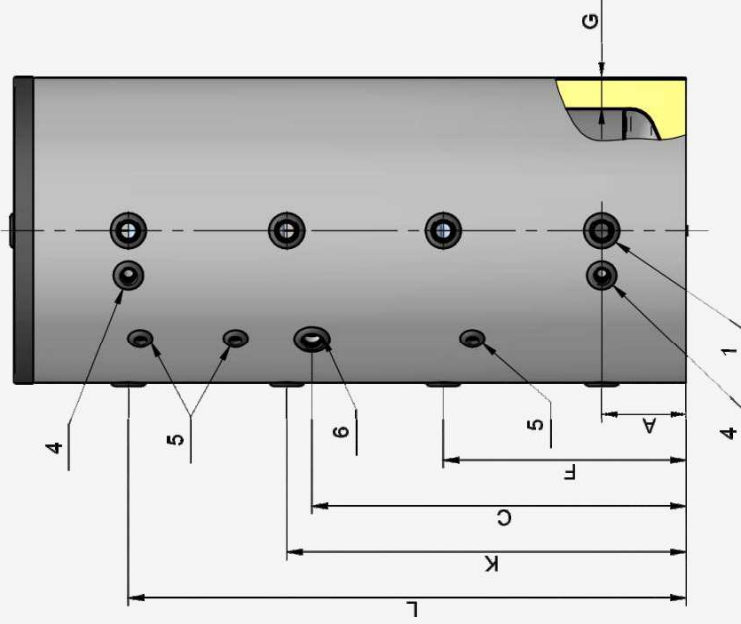
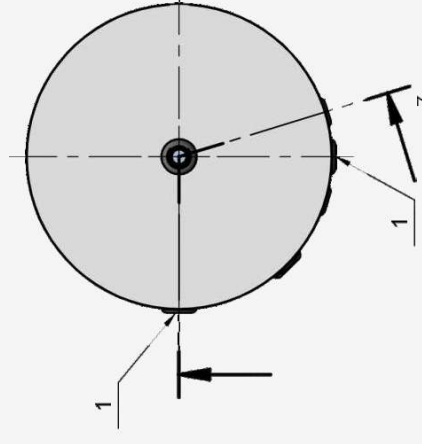
Installation: floor standing

Capacity: 300, 500, 750, 1000, 1500, 2000L.

Water tank: non-enameled

The stainless steel heat exchangers model allows the simultaneous heating of DHW and water for heating systems.

The potable water, passing through the corrugated heat exchanger, provides the necessary heating for ensuring an instantaneous mode.



### DESCRIPTION

- Minimal heat losses.
- - Thick CFC-free insulation from environmentally friendly high density polyurethane foam formula for models from 300 to 500 liters.
- -Thick EPS insulation of expanded polystyrene with high density graphite microparticles for models from 750 to 2000 liters.
- AISI 316L stainless steel heat exchanger for heating of potable water in an instantaneous mode;
- Zipped lining of wear resistant synthetic fabric in INOX color;
- Connections, convenient for installation and maintenance;
- Thermostat socket;
- Circulation socket;
- Venting socket;

## NON-ENAMELED BUFFER TANKS WITH STAINLESS STEEL HEAT EXCHANGER (BCW)

 SPECIFICATIONS

Parameters	BCW 300K	BCW 500K80	BCW 750F	BCW 1000F	BCW 1500F	BCW 2000F
Model	...	...	...	...	...	...
Volume group	300	500	750	1000	1500	2000
Energy efficiency class	B	B	-	-	-	-
Standing loss	51	74	125	136	159	183
Rated pressure	0,3	0,3	0,3	0,3	0,3	0,3
Volume	255	455	698	931	1444	1956
Insulation thickness	85	80	80	80	100	100
Gross weight	76	123	167	181	313	373
<b>Heat exchanger</b>						
Surface area heat exchanger DHW	3,03	4,65	5,16	7,50	9,00	11,24
Volume heat exchanger DHW	16,64	25,72	28,52	41,61	49,93	62,41
<b>Connections</b>						
1: Inlet / Outlet	G1 1/2 F	G2 F	G2 F	G2 F	G2 F	G2 F
4: Heat-exchanger for DHW	G1 F	G1 F	G1 F	G1 F	G1 F	G1 F
5: Socket for thermostat	G1/2 F	G1/2 F	G1/2 F	G1/2 F	G1/2 F	G1/2 F
6: Additional socket	G1 1/2 F	G1 1/2 F	G1 1/2 F	G1 1/2 F	G1 1/2 F	G1 1/2 F
7: Inlet / Outlet	G3/4 F	G1 1/4 F	G1 1/4 F	G1 1/4 F	G2 F	G2 F
<b>Dimensions</b>						
A	205	220	330	330	385	395
C	835	960	890	1045	1220	1230
D	670	800	1010	1010	1250	1400
F	575	635	645	755	845	855
G	85	80	80	80	100	100
H	1595	1765	1665	2000	2210	2255
K	945	1045	960	1185	1305	1315
L	1315	1460	1270	1610	1765	1775