

LK 551 HydroMix

- Anti-scald function
- Adjustable temperature



Technical Data

| | |
|------------------------|---|
| Max. working pressure: | 1.0 MPa (10 bar) |
| Working temperature: | Min. 5 °C/Max. 65 °C Min. 5 °C/Max. 95 °C |
| Operating temperature: | Min. 10 °C/Max. 30 °C (Max. 65 °C) Min. 25 °C/Max. 45 °C Min. 35 °C/Max. 55 °C Min. 35 °C/Max. 65 °C |
| Thread standard: | Rp - female thread, G - male thread |
| Media 1: | Water - Glycol mixture max. 50% Ethanol mixture max. 30% |
| Material, valve body: | Brass EN 12165 CW617N |
| Other data: | Temperature stability ± 3 °C |
| Temperature stability: | ± 3 °C |



LK 551 HydroMix is an asymmetrical mixing valve for water heating and heating systems. The mixing valve has a thermostatic element that regulates the supply of cold as well as hot water in order to achieve the desired temperature. The valve has an anti-scald function that shuts off the incoming hot water flow in case of failure of cold water supply.

Arrows on the valve body indicate the direction of the flow.

C = incoming cold water

H = incoming hot water

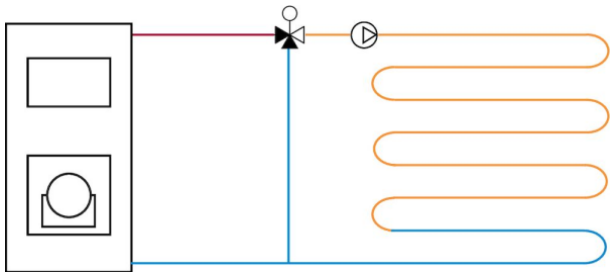
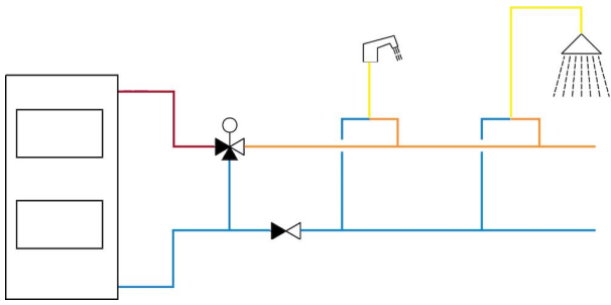
M = outgoing mixed water

When fitted on top of boiler/storage tanks with built-in water heaters the valve should be installed with some space between boiler/storage tank and valve so as not to let the function of the valve be affected by heat radiation.

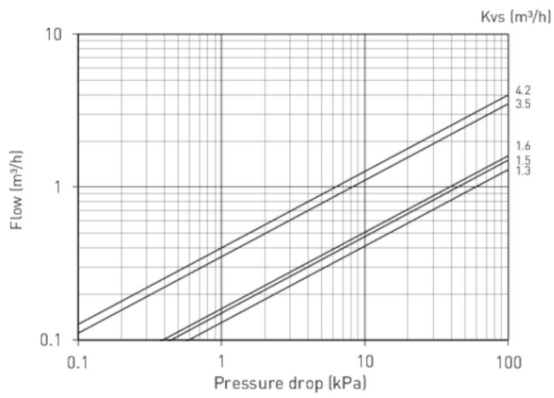
The valve knob is used to set the desired warm water temperature within the specified range. The protective cap prevents unintentional changes of the temperature setting.

The valve requires no maintenance but the installation should be checked regularly.

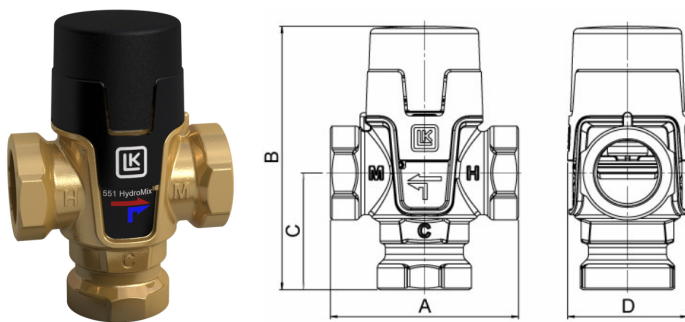




Capacity Diagram



LK 551 - Female thread

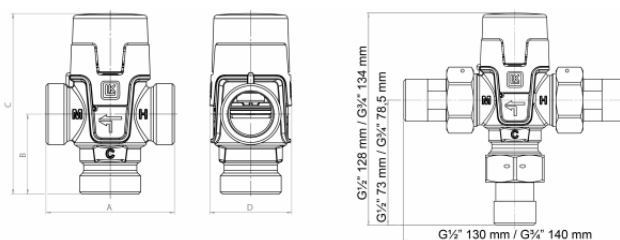


| Article | Dim. | Kvs m ³ /h | A mm | B mm | C mm | D mm | Note | Weight (kg) |
|---------|--------|-----------------------|------|------|------|------|------------|-------------|
| 181616 | F 1/2" | 1,5 | 70 | 99 | 43.5 | 45 | 25 - 45 °C | 0.5 |
| 181617 | F 3/4" | 1,6 | 70 | 99 | 43.5 | 45 | 25 - 45 °C | 0.5 |
| 181455 | F 1/2" | 1,5 | 70 | 99 | 43.5 | 45 | 35 - 65 °C | 0.5 |



| Article | Dim. | Kvs m ³ /h | A mm | B mm | C mm | D mm | Note | Weight (kg) |
|---------|------|-----------------------|------|------|------|------|------------|-------------|
| 181486 | F ¾" | 1,6 | 70 | 99 | 43.5 | 45 | 35 - 65 °C | 0.5 |
| 182203 | F 1" | 3,5 | 84 | 121 | 62 | 55 | 10 - 30 °C | 0.9 |
| 182204 | F 1" | 4,2 | 84 | 121 | 62 | 55 | 25 - 45 °C | 0.9 |
| 182205 | F 1" | 3,5 | 84 | 121 | 62 | 55 | 35 - 65 °C | 0.9 |

LK 551 - Male thread

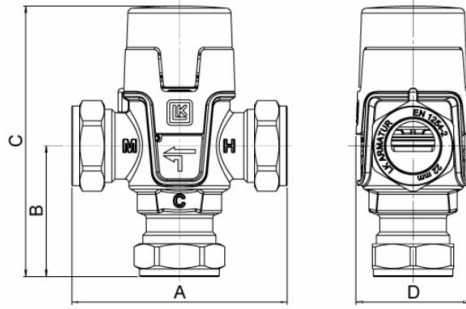


| Article | Dim. | Kvs m ³ /h | A mm | B mm | C mm | D mm | Note | Weight (kg) |
|---------|-------|-----------------------|------|------|------|------|--------------------|-------------|
| 181618 | M ½" | 1,3 | 70 | 42.5 | 99 | 45 | 25 - 45 °C | 0.4 |
| 181619 | M ¾" | 1,5 | 70 | 43.5 | 99 | 45 | 25 - 45 °C | 0.5 |
| 181620 | M 1" | 1,6 | 70 | 43.5 | 99 | 45 | 25 - 45 °C | 0.5 |
| 181452 | M ½" | 1,3 | 70 | 42.5 | 99 | 45 | 35 - 65 °C | 0.4 |
| 181453 | M ¾" | 1,5 | 70 | 43.5 | 99 | 45 | 35 - 65 °C | 0.5 |
| 181454 | M 1" | 1,6 | 70 | 43.5 | 99 | 45 | 35 - 65 °C | 0.5 |
| 182736 | M 1" | 1,6 | 70 | 43.5 | 99 | 45 | 35 - 65 °C *, WRAS | 0.5 |
| 182197 | M 1" | 3,5 | 84 | 62 | 121 | 55 | 10 - 30 °C | 0.7 |
| 182198 | M 1" | 3,5 | 84 | 62 | 121 | 55 | 25 - 45 °C | 0.7 |
| 182199 | M 1" | 3,5 | 84 | 62 | 121 | 55 | 35 - 65 °C | 0.7 |
| 182200 | M 1¼" | 3,5 | 84 | 62 | 121 | 55 | 10 - 30 °C | 0.8 |
| 182201 | M 1¼" | 4,2 | 84 | 62 | 121 | 55 | 25 - 45 °C | 0.8 |
| 182202 | M 1¼" | 3,5 | 84 | 62 | 121 | 55 | 35 - 65 °C | 0.8 |

* Material, valve body: EN 12165 CW625N



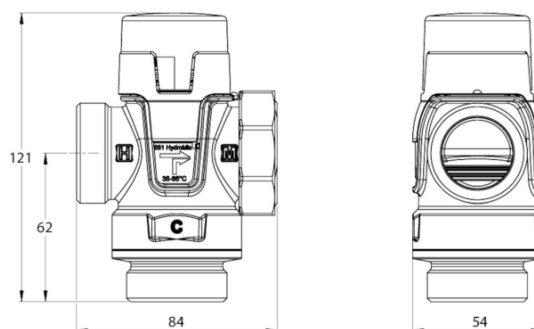
LK 551 - Compression fitting



| Article | Dim. | Kvs m ³ /h | A mm | B mm | C mm | D mm | Note | Weight (kg) |
|---------|-------|-----------------------|------|------|------|------|--------------------|-------------|
| 181621 | 15 mm | 1,3 | 86.5 | 51 | 106 | 45 | 25 - 45 °C | 0.4 |
| 181622 | 22 mm | 1,6 | 85 | 52 | 106 | 45 | 25 - 45 °C | 0.4 |
| 181523 | 15 mm | 1,3 | 86.5 | 51 | 106 | 45 | 35 - 55 °C | 0.5 |
| 181487 | 22 mm | 1,6 | 85 | 52 | 106 | 45 | 35 - 55 °C | 0.6 |
| 181456 | 15 mm | 1,3 | 86.5 | 51 | 106 | 45 | 35 - 65 °C | 0.5 |
| 182738 | 15 mm | 1,3 | 86.5 | 51 | 106 | 45 | 35 - 65 °C *, WRAS | 0,5 |
| 181457 | 22 mm | 1,6 | 85 | 52 | 106 | 45 | 35 - 65 °C | 0.6 |
| 182737 | 22 mm | 1,6 | 85 | 52 | 106 | 45 | 35 - 65 °C *, WRAS | 0,6 |
| 182206 | 28 mm | 3,5 | 110 | 80 | 138 | 55 | 10 - 30 °C * | 0.9 |
| 182207 | 28 mm | 4,2 | 110 | 80 | 138 | 55 | 25 - 45 °C * | 0.9 |
| 182208 | 28 mm | 3,5 | 110 | 80 | 138 | 55 | 35 - 65 °C * | 0.9 |

* Material, valve body: EN 12165 CW625N

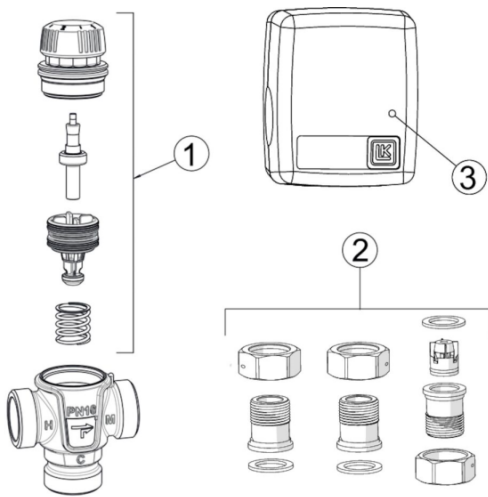
LK 551 - Rotating nut



| Article | Dim. | Dim. 2 | Kvs m ³ /h | A mm | B mm | C mm | D mm | Note | Weight (kg) |
|---------|----------|---------------------|-----------------------|------|------|------|------|-------------|-------------|
| 182431 | M 1 1/4" | 1 1/2" Rotating nut | 3,5 | 84 | 62 | 121 | 55 | 25 - 45 °C* | 0.9 |



Accessories & Spare parts



| Article no. | Article | Position |
|-------------|--|----------|
| 095234 | Repair kit 551, 35 - 65 °C (Kvs 1.6) | 1 |
| 095235 | Repair kit 551, 25 - 45 °C | 1 |
| 095236 | Repair kit 551, 35 - 55°C | 1 |
| 095348 | Repair kit 551, 10 - 30 °C (Kvs 3.2-4.2) | 1 |
| 095349 | Repair kit 551, 25 - 45 °C, Kvs 3.2-4.2 | 1 |
| 095350 | Repair kit 551, 35 - 65 °C, Kvs 3.2-4.2 | 1 |
| 092055 | Connection kit M ½" x ¾" with rotating nut, gaskets, 2 check valves | 2 |
| 092054 | Connection kit M ½" x ¾" with rotating nut, gaskets, 1 check valve | 2 |
| 092052 | Connection kit M ¾" x 1" with rotating nut, gaskets, 1 check valve | 2 |
| 092053 | Connection kit M ¾" x 1" with rotating nut, gaskets, 2 check valves | 2 |
| 092333 | Connection kit M 1" x 1¼" with rotating nut, gaskets, 1 check valve | 2 |
| 092334 | Connection kit M 1" x 1¼" with rotating nut, gaskets, 2 check valves | 2 |
| 187310 | LK Insulation, 551 (Kvs 3.2-4.2) / 552 | 3 |
| 187304 | LK Insulation, 551 (Kvs 1.3-1.6) | 3 |