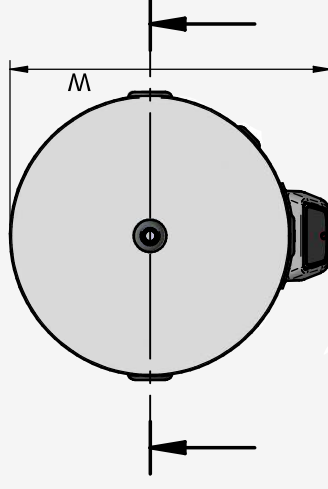


ENAMELED BUFFER TANKS (BCE)



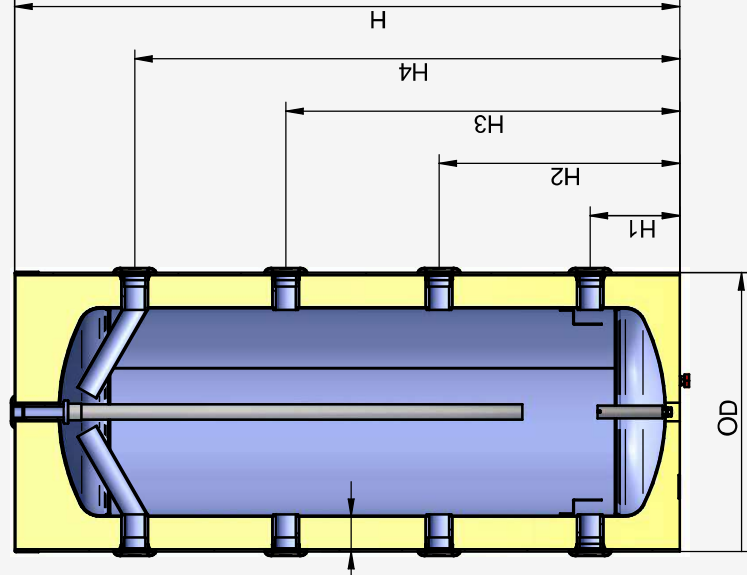
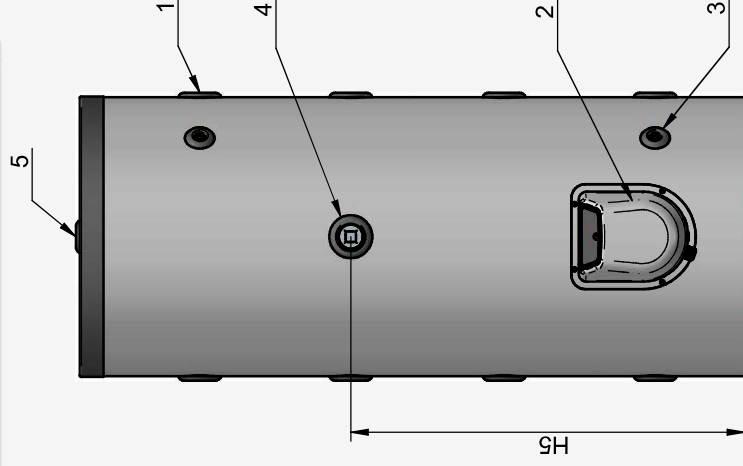
Product type: indirect

Installation: floor standing
Capacity: 150, 200 300, 500, 750, 1000, 1500, 2000L.
Water tank: enameled



DESCRIPTION

- Minimal heat losses;
- Thick CFC-free insulation from environmentally friendly high density polyurethane foam formula for models from 150 to 500 liters.
- Thick EPS insulation of expanded polystyrene with high density graphite microparticles for models from 750 to 2000 liters.
- SHIELD technology - a unique formula for wear-resistant enamel coating with increased zirconium content for durability and long life of the water tank in enameled models;
- Cathode system: two magnesium anodes for optimal corrosion protection;
- Zipped lining of wear resistant synthetic fabric in INOX color;
- Connections, convenient for installation and maintenance;
- Large diameter flange for easy access to the water tank;
- Thermostat socket;



ENAMELED BUFFER TANKS (BCE)



SPECIFICATIONS

Parameters	BCE 150K60	BCE 200K60	BCE 300K	BCE 500K80	BCE 750F	BCE 1000F	BCE 1500F	BCE 2000F
Model
Volume group	150	200	300	500	750	1000	1500	2000
Energy efficiency class	B	B	B	B	-	-	-	-
Standing loss	45	53	50	73	116	131	155	178
Rated pressure	0,6	0,6	0,6	0,6	0,6	0,6	0,6	0,6
Volume	147	193	272	491	748	961	1495	2020
Insulation thickness	75	75	85	80	100	100	100	100
Gross weight	53	60	72	124	184	206	356	420
Connections								
1: Inlet / Outlet	G1 1/2 F	G1 1/2 F	G1 1/2 F	G2 F	G2 F	G2 F	G2 F	G2 F
2: Flange	Yes	Yes	Yes	Yes	Yes	Yes	Yes	Yes
3: Socket for thermostat	G1 1/2 F	G1 1/2 F	G1 1/2 F	G1 1/2 F	G1 1/2 F	G1 1/2 F	G1 1/2 F	G1 1/2 F
4: Additional socket	G1 1/2 F	G1 1/2 F	G1 1/2 F	G1 1/2 F	G1 1/2 F	G1 1/2 F	G1 1/2 F	G1 1/2 F
5: Inlet / Outlet	G3/4 F	G3/4 F	G3/4 F	G1 1/4 F	G1 1/4 F	G1 1/4 F	G2 F	G2 F
Dimensions								
D	600	600	670	800	1050	1050	1250	1400
H	1150	1430	1605	1765	1640	1975	2210	2255
H1	195	195	200	230	310	310	395	405
H2	430	520	580	645	625	735	855	865
H3	665	850	950	1055	935	1165	1315	1325
H4	900	1170	1330	1470	1250	1590	1775	1785
H5	665	780	950	1055	860	1020	1230	1240
W	690	690	760	890	1140	1140	1385	1535

*Models available with non-removable rigid PPU foam (model number "K") or removable EPS insulation (model number "F")

