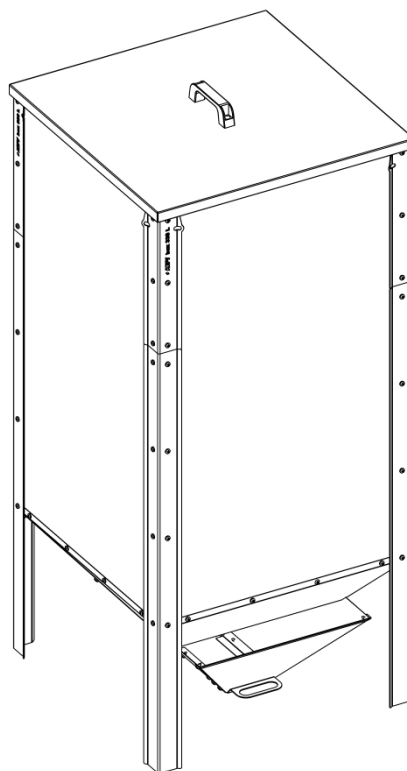




Pellet tank 330I

Assembly parts list

Installation manual



No.	Description	Quantity	Article No.
1.	Vertical sheet 330	4	ZB330-00.00.00.01
2.	Front funnel sheet 330	1	ZB330-00.00.00.02
3.	Rear funnel sheet 330	1	ZB330-00.00.00.03
4.	Front funnel sheet lower 330	1	ZB330-00.00.00.04
5.	Side funnel sheet I 330	1	ZB330-00.00.00.05
6.	Feed Shut Off Slide 330, 440	1	ZB330-00.00.00.06
7.	Upper leg 330	4	ZB330-00.00.00.07
8.	Lower leg 330	4	ZB330-00.00.00.08
9.	Guideway 330, 440	2	ZB330-00.00.00.09
10.	Top cover 330	1	ZB330-00.01.00.01
11.	Side hopper sheet II 330	1	ZB330-00.00.00.10
12.	Holder	1	ZZ330-00.00.00.10
13.	Hexagon socket head cup screw M8x16	2	ZZ330-00.00.00.15
14.	Screw washer M8	2	ZZ330-00.00.00.16
15.	Nut M8	2	ZZ330-00.00.00.18
16.	Sheet metal screw driver ST4,8x9,5	93	ZB330-00.00.00.11
17.	Chain Q2	2,2 m	
18.	Hook „S” 3 mm	3	

Assembly of the tank should take place in steps shown in the following diagrams. Installation should be made on a flat surface that will not scratch the assembly parts (eg. on the cardboard).

When the tank is assembled, and placed at the target site, must be leveled by turning the adjustable legs.

For assembling pellet tank are needed:

- Cross screwdriver PZ1 or drill driver with cross bit PZ 1,
- Hex wrench size 6 - 1 pc

If during the installation will use the drill driver pay attention not to tighten the tapping screws with too much torque.

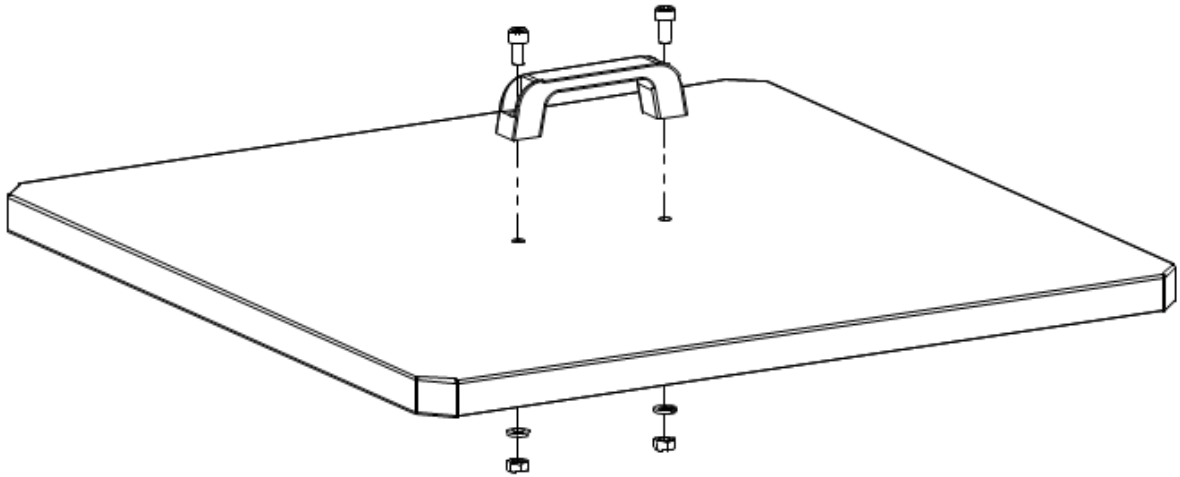


Fig 1. Top cover.

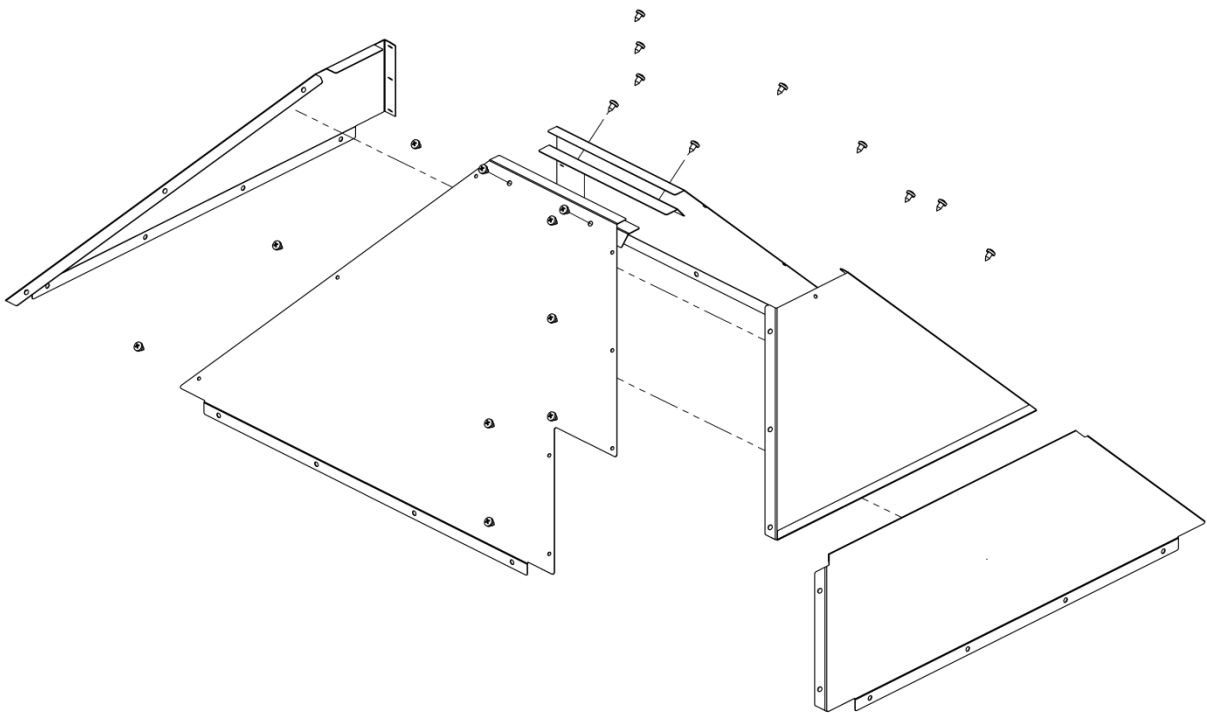


Fig. 2. A funnel part of the tank.

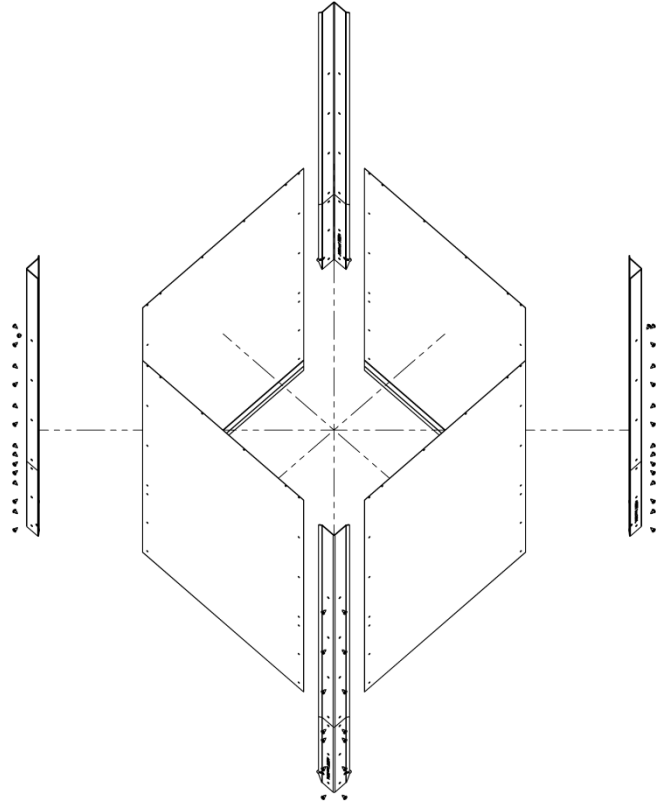


Fig. 3. The straight part of the tank.

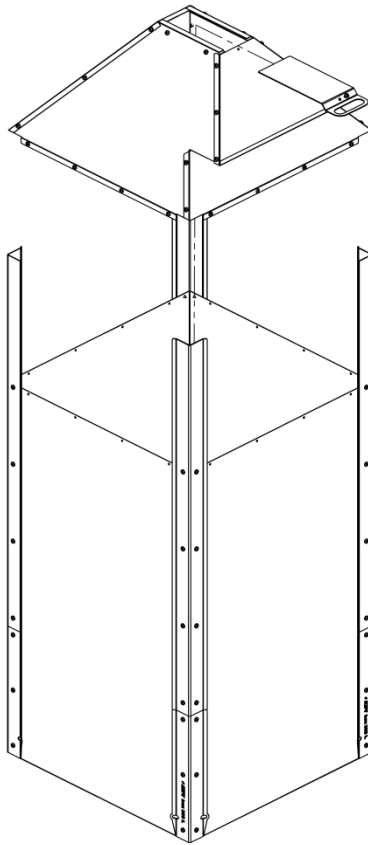


Fig. 4. Assembling the funnel and the straight part of the tank.

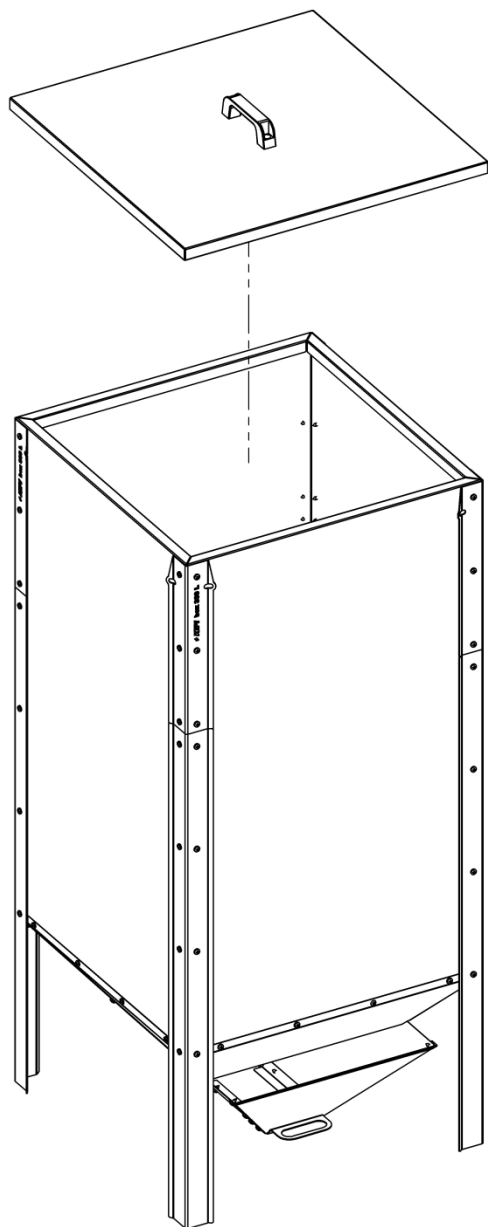


Fig. 5. The tank.



Cerbos

küttesüsteemid • müük • paigaldus • hooldus
tel +372 442 0222 / +372 434 1000 • info@cerbos.ee
Paide mnt 7, Pärnu 80042, Eesti • www.cerbos.ee