



ATMOS

COMBINED BOILERS

2023

Since 1935



Meet **ECODESIGN** regulations



COMBINED BOILERS

ATMOS KOMBI – DCxxSP, SP(X), SPT

■ WOOD – PELLETS

ADVANTAGES

OF ATMOS BOILERS

- allows combination of wood and pellets
- high efficiency with both fuels – comparable with wood and pellet boilers (up to 92,3%)
- cheaper solution – if you calculate the costs of installing two boilers and connecting a chimney you will find that it is less economical than one boiler
- automatic pellet release after the wood has burnt
- takes up little space in the boiler room compared to two boilers

- only one chimney
- greener way to burn wood and pellets
- versions of boiler DC 18 SP, DC 25 SP, DC 30 SPX, DC 32 SPC, DC 40 SPT, C 18 SP, DC 25 SP, DC 30 SPX, DC 32 SP

BOILER CONSTRUCTION

The boiler drum is manufactured as a welded structure of three chambers. The boiler's upper section consists of two chambers for burning wood which stand out against the typical wood gasification boilers on the market. The third separate bottom combustion chamber has ceramic lined sides for optimal burning and is



DC 18 SP, DC 25 SP, DC 30 SPX, DC 32 SP
WOOD + PELLETS



fitted with an A 25 burner. The systems are separated from each other by a water jacket so as not to affect each others operation. There is a vertical gas combustion duct at the back of the boiler and a gas outlet pipe to connect to a chimney (only one chimney connection is needed).

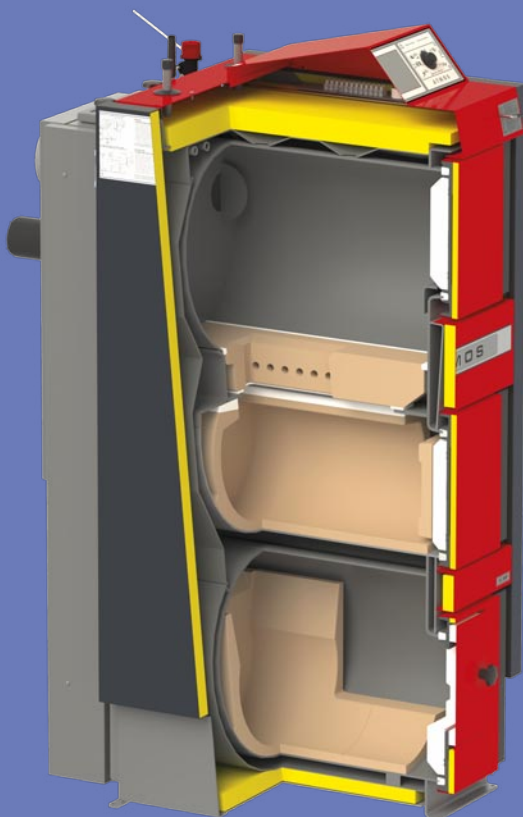
FUNCTION

Our range of KOMBI boilers allow wood to be burnt according to the principle of gasification using a pellet burner. The boiler allows you to switch between both fuels. If needed, the boiler can be bought first without the burner which can be added later or taken from a previous boiler.

REGULATION OF BOILER



- Draft regulator HONEYWELL
- Operating thermostat
- Waste gas thermostat
- Pump thermostat
- Fuel change switch
- **Allows automatic change of burned fuel**
- Boilers can be controlled entirely from the ACD 03 equithermal control unit.



DC 18 SP, DC 25 SP, DC 30 SPX, DC 32 SP
WOOD + PELLETS



DC 40 SPT
WOOD + PELLETS



BOILERS AND BURNERS DCxxSP, SP(X), SPT

The 2018 models of the **DCxxSP** boilers and burners are equipped with automatic opening and closing of the air supply to the boiler/burner (using an electro servomotor) when burning wood or pellets.

The boilers are equipped with an **AGF2 (TSV)** flue gas sensor and a **KTF20 (TK)** boiler water temperature sensor to automatically start the burner after the wood has burnt out.

Additionally the boilers are equipped with two **KTF20 sensors (TV and TS)** which allow you to control the temperature of the burner at the top and bottom of the accumulation tank. The whole set is sold in the **maximum range**, for **fully automatic mode** and **simple plug and play installation**.

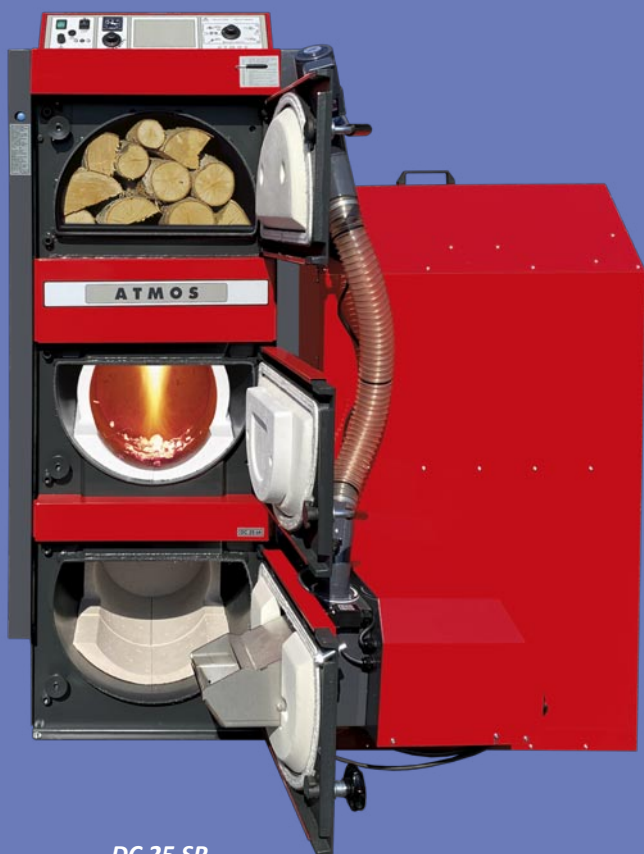
BOILER CONTROL PANEL WITH AN INBUILT ACDO3 ELECTRONIC REGULATION UNIT



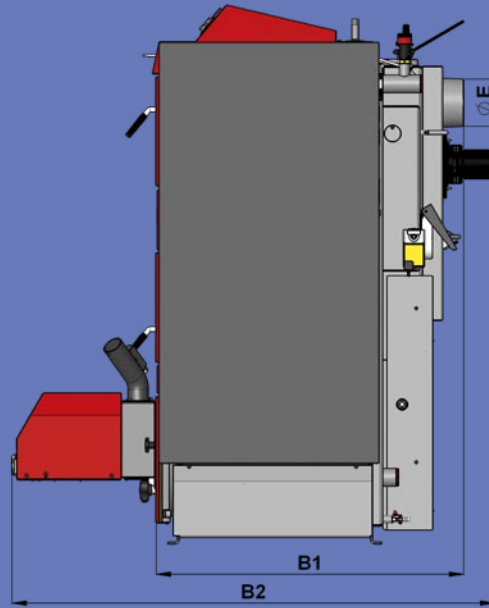
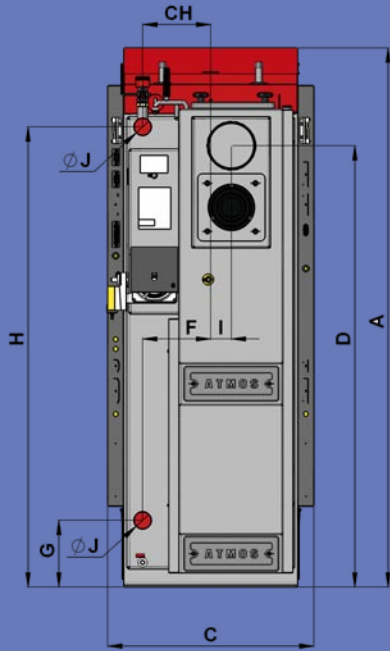
The unit controls:

- the complete function of the boiler including automatic fuel switch in combination boilers
- boiler circuit
- three heating circuits (two heating circuits + return boiler circuit)
- charging of accumulation tank
- charging of DHW tank
- solar heating

An ACDO3 Electronic unit can be fitted to the boiler control panel.



*DC 25 SP
WOOD + PELLETS*



NEW



Servo actuator

DIMENS.	DC 18 SP	DC 25 SP	DC 30 SPX	DC 32 SP	DC 40 SPT
A	1665	1665	1665	1741	1755
B1	757	957	957	957	1230
B2	1301	1501	1501	1501	1792
C	643	643	643	678	680
D	1375	1375	1375	1448	1445
E	150 (152)	150 (152)	150 (152)	150 (152)	150 (152)
F	212	212	212	256	87
G	207	207	207	184	204
H	1436	1436	1436	1507	1507
CH	212	212	212	256	256
I	65	65	65	70	256
J	6/4"	6/4"	6/4"	6/4"	6/4"

TYPE ATMOS SP		DC 18 SP	DC 25 SP	DC 30 SPX	DC 32 SP	DC 40 SPT
OUTPUT OF BOILER FOR COAL	kW	20,5	27	30	35	40
OUTPUT OF BOILER FOR PELLETS (DCxxSP)	kW	4,5 – 15	6 – 20	6 – 20	6 – 20	30
SPECIFIED DRAFT OF CHIMNEY	Pa	20	23	23	24	22
FUEL – WOOD		DRY WOOD – CALORIFIC VALUE 15 – 17 MJ/kg, DIAMETER 80 – 150 mm, 12 – 20 % HUMIDITY				
SPECIFIED FUEL – PELLETS		HIGH QUALITY WOODEN PELLETS OF 6 – 8 mm DIAMETER, LENGTH 10 – 25 mm, CALORIC POWER 15 – 18 MJ/kg				
MAXIMAL LENGTH OF WOOD	mm	330	530	530	530	730
VOLUME OF HOPPER FOR WOOD	dm ³	60	95	95	135	160
WEIGHT OF BOILER	kg	435	531 (506)	537	596 (571)	768
VOLUME OF WATER IN THE BOILER	l	78	109	109	160	131
TYPE OF PELLET BURNER		ATMOS A 25 (for models DCxxSP(X), CxxSP) – code H0048, ATMOS A 45 (for model DC 40 SPT) – code H0352				
SIZE OF EXTERNAL PELLET SILO		240, 250, 300, 400, 500, 1000 litres				
ELECTRIC CONNECTION	V/Hz	230/50				
ELECTRIC INPUT BY START (pellets)	W	572	572	572	572	530
ELECTRIC INPUT BY OPERATION (pellets, wood)	W	42/50	42/50	42/50	42/50	42/50
CLASS OF BOILER UNDER EN 303-5		5	5	5	5	5
ECODESIGN EU 2015/1189 COMPLIANT		●	●	●	●	●
ENERGY EFFICIENCY CLASS		A+	A+	A+	A+	A+
PREFERRED FUEL		PELLETS	PELLETS	PELLETS	PELLETS	PELLETS



PNEUMATIC PELLET CONVEYOR

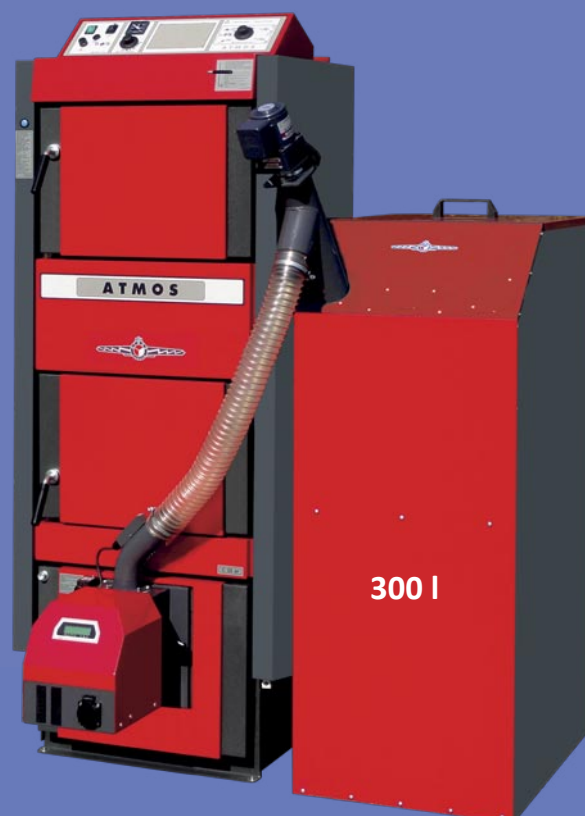
APS 250, APS 500, APS 250 S

The APS 250, APS 500, APS 250 S pneumatic pellet feeders are designed as a compact device used to comfortably supply pellets to the boiler from a large tank placed outside the boiler room.

The tank should be located within an empty storage area inside or outside the building that is being heated. Tanks are usually textile silos that are quick and easy to install.

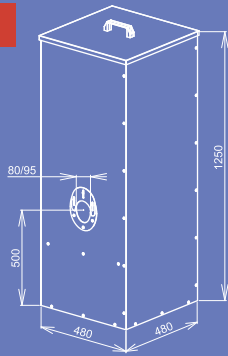
The compact pneumatic pellet feeders **ATMOS APS 250, 500** come with buffer tanks and are designed for boilers with an output range of **between 5 to 80 kW**.

- Maximum transport height 5 m
- Maximum transport distance 16 m



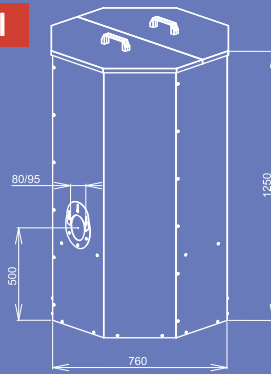
PELLETS SILOS

250 l



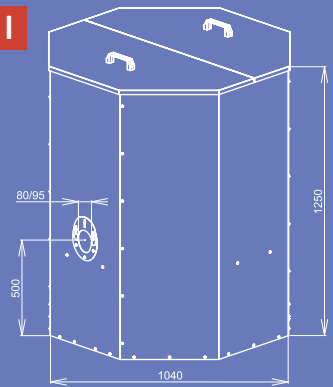
The **smallest** silo is suitable for all boilers designed for smaller boiler rooms where larger silos cannot be used. It contains 163 kg of pellets which means approximately 730 kWh (10 bags).

500 l



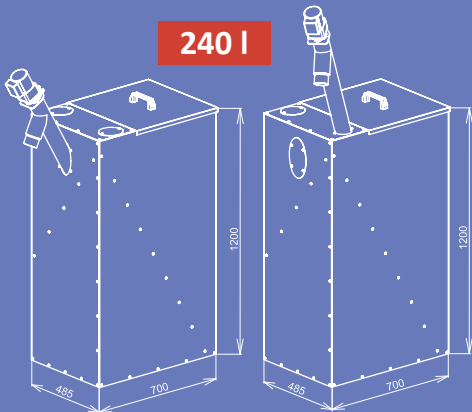
The **middle sized** silo is suitable for all boilers designed for smaller boiler rooms where larger silos cannot be used. It contains 325 kg of pellets which means approximately 1463 kWh (21 bags).

1000 l



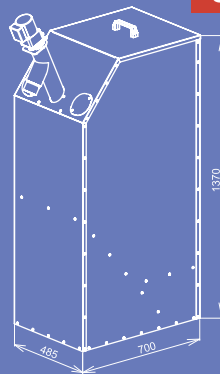
The **biggest** silo contains 650 kg of pellets which means approximately 2925 kWh (43 bags).

240 l



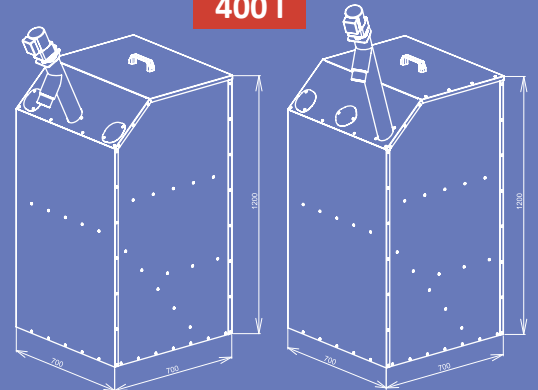
AZPD/AZPU 240 – a set of 240 l silos with DRA25 conveyors – 1,3/1,7 m which is suitable for small boiler rooms. It can be placed beside the boiler to fit into smaller spaces. The 240 litre silo contains 156 kg of pellets which provides about 700 kWh (10 bags).

300 l



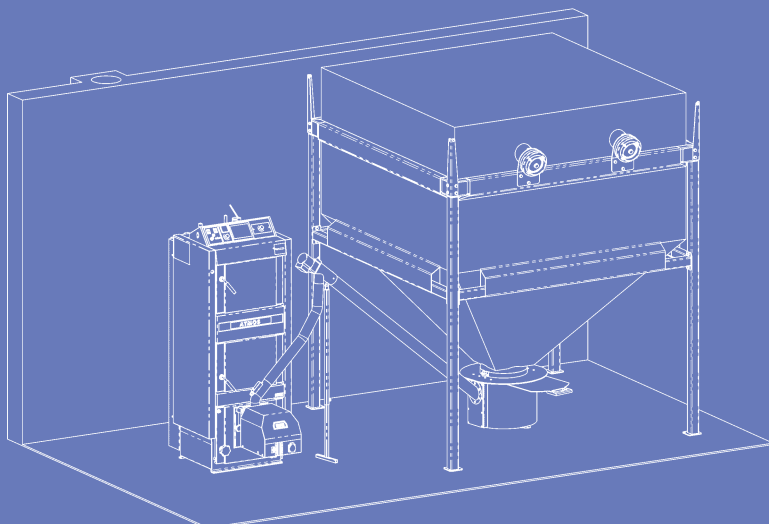
AZPD 300 – a set of 300l silos with DRA25 conveyors – 1,3 m which is suitable for small boiler rooms. It can be placed beside the boiler to fit into smaller spaces. The 300 litre silo contains 195 kg of pellets which provides about 880 kWh (13 bags).

400 l



AZPD/AZPU 400 – a set of 400l silos with DRA25 conveyors – 1,3 m which is suitable for small boiler rooms. It can be placed beside the boiler to fit into smaller spaces. The 400 litre silo contains 260 kg of pellets which provides about 1170 kWh (17 bags).

All pellet silos allow you to instal a pneumatic pellet conveying system



TEXTILE PELLET SILOS

model	volume (m ³)	content (t)	dimensions (mm)
ATZ 5	4,4 - 5,5	2,9 - 3,6	1960 x 1960 x 2 320
ATZ 6	5,3 - 6,5	3,5 - 4,2	1960 x 2360 x 2 320
ATZ 7	6,3 - 7,9	4,1 - 5,1	2360 x 2360 x 2 320

The best choice for pellets and wood...



ATMOS

MANUFACTURED BY:

JAROSLAV CANKAŘ A SYN ATMOS

Velenského 487

CZ 294 21 Bělá pod Bezdězem

Czech Republic

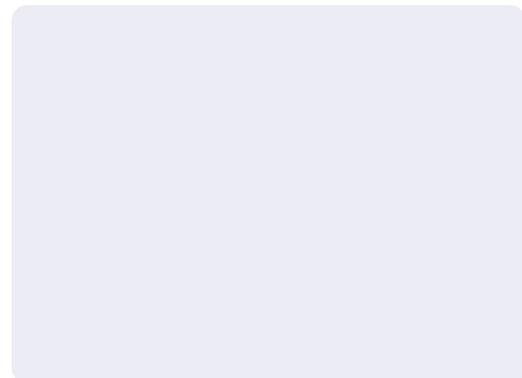
Phone: +420 / 326 / 701 404, 701 414

Internet: www.atmos.cz, www.atmos.eu

e-mail: atmos@atmos.cz, atmos@atmos.eu



DISTRIBUTED BY:



02/23 ENG

Technical changes to boiler dimensions and design during the year are possible.